



Electric Thin Twin Washer/Dryer

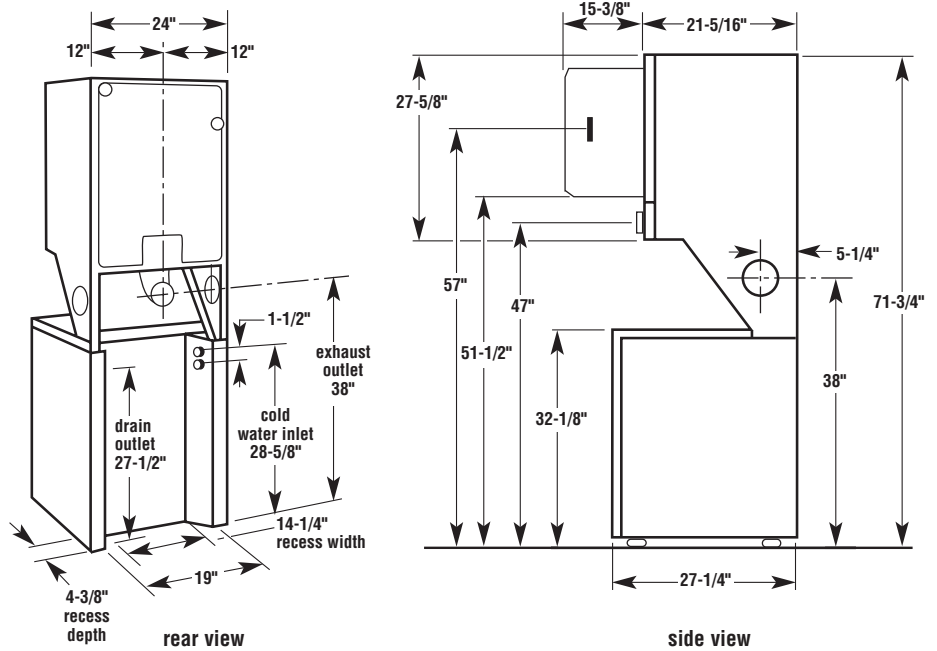
PRODUCT MODEL NUMBER

LE5243DQ

Electrical: A four-wire or three-wire, single phase, 120/240-volt, 60-Hz, AC-only, electrical supply (or four-wire or three-wire, 120/208-volt if specified on model/serial rating plate) is required on a separate 30-ampere circuit, fused on both sides of the line. A time-delay fuse or circuit breaker is recommended.

Exhaust venting: Exhaust your dryer to the outside. four-inch diameter vent is required. Rigid or flexible metal exhaust vent must be used. Do Not use plastic or metal foil vent. Exhaust outlet hood must be at least 12 inches from the ground or any object that may be in the path of the exhaust.

OVERALL DIMENSIONS



RECESSED AREA AND CLOSET INSTALLATION

Additional clearance for wall, door and floor molding may be required. Additional space may be needed for exhaust elbow.

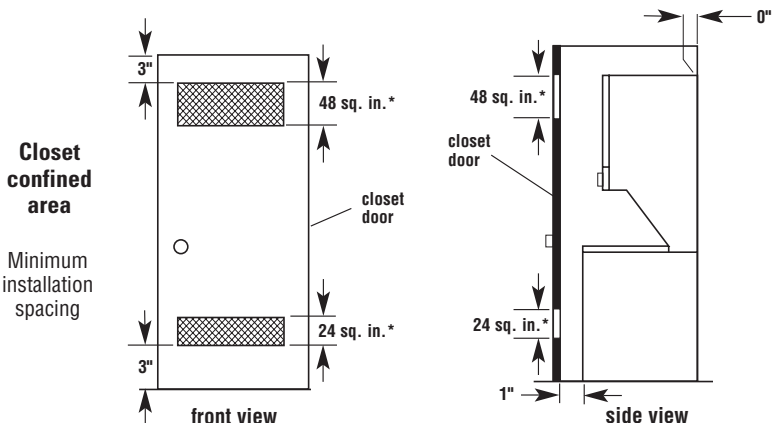
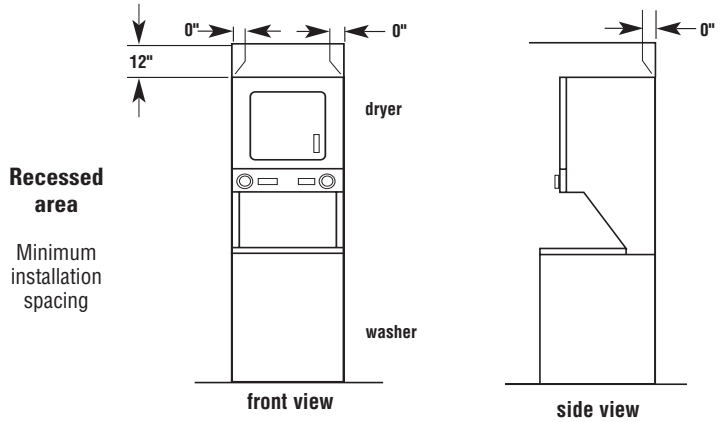
EXHAUST VENTING

Plan installation to use the fewest number of elbows and turns.

Maximum length of the exhaust system depends upon the type of vent used, number of elbows and the type of exhaust hood. The maximum length for both rigid and flexible vent is shown in the chart.

NUMBER OF 90° TURNS	Rigid metal vent (4" dia.)			Maximum length of 4" dia. vent.
	4" (90°)	4" (180°)	2-1/2" (90°)	
0	43 ft	41 ft	36 ft	rigid metal vent.
1	33 ft	31 ft	26 ft	
2	23 ft	21 ft	16 ft	
3	18 ft	18 ft	Not recommended	
0	Flexible metal vent (4" dia.)			flexible metal vent.
1	30 ft	29 ft	24 ft	
2	24 ft	23 ft	18 ft	
3	10 ft	9 ft	Not recommended	

The maximum length using a 2" x 6" rectangular vent with 2 elbows and a 2-1/2" exhaust hood is 8 ft.



Unobstructed air openings are minimum for closet door. Louvered door with equivalent air openings is acceptable.