



30" Electric Built-In Single and Double Ovens

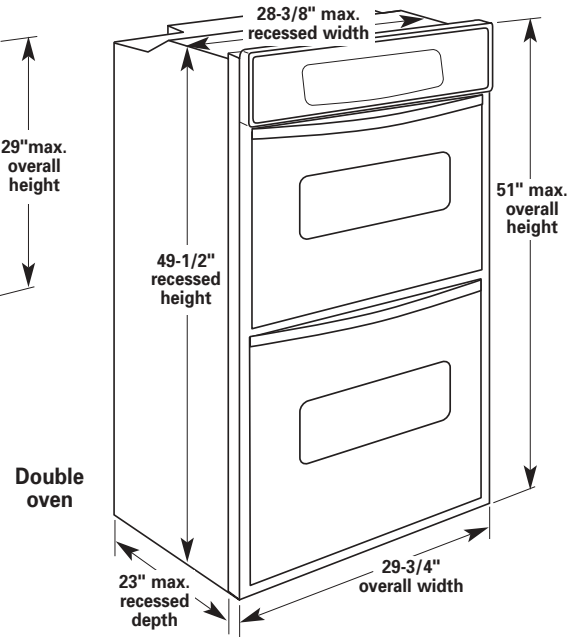
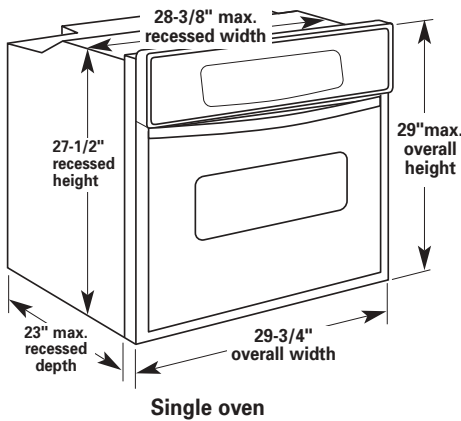
PRODUCT MODEL NUMBERS

GBD307PDB	RBD305PDB
GBD307PDQ	RBD305PDQ
GBD307PDS	RBD305PDT
GBD307PDT	RBD306PDB
GBS307PDB	RBD306PDQ
GBS307PDQ	RBD306PDT
GBS307PDS	RBS305PDB
GBS307PDT	RBS305PDQ
	RBS305PDT

Electrical:

A three-wire or four-wire, single phase, 240-volt, 60-Hz, AC-only electrical supply is required. Models rated from 7.3 to 9.6 kW at 240 volts (5.5 to 7.2 kW at 208 volts) require a separate 40-ampere circuit, fused on both sides of the line. Models rated at 7.2 kW and below at 240 volts (5.4 kW and below at 208 volts) require a separate 30-ampere circuit, fused on both sides of the line. Use minimum 10 gauge copper wire only. A time-delay fuse or circuit breaker is recommended. A U.L.-listed conduit connector must be provided at the junction box.

OVERALL DIMENSIONS



CABINET OPENING DIMENSIONS

