

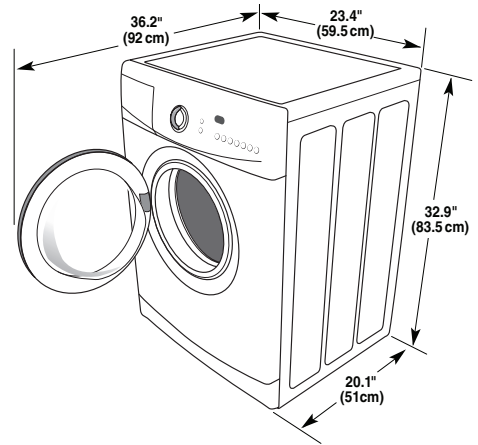
Whirlpool® Front Loading Washer

PRODUCT MODEL NUMBERS

WFC7500V

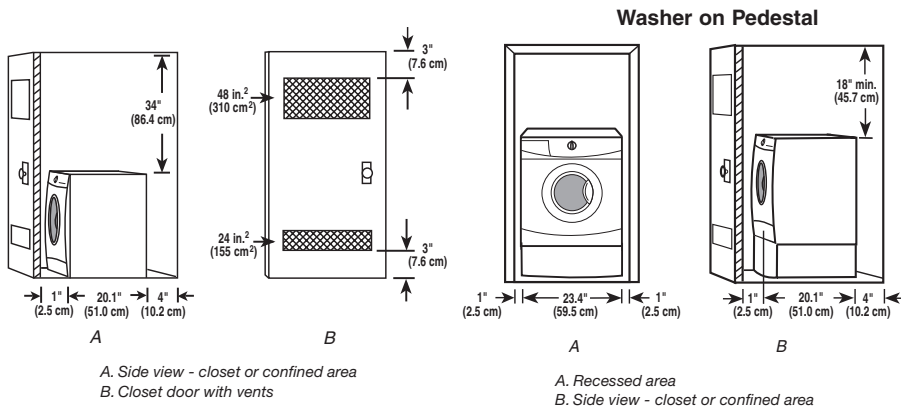
Electrical: 120-volt, 60 Hz, AC-only, 15- or 20-amp, fused electrical supply. A time-delay fuse or circuit breaker and separate circuit is recommended.

OVERALL DIMENSIONS



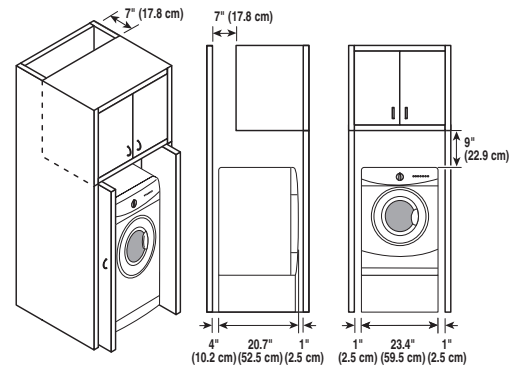
RECOMMENDED INSTALLATION SPACING FOR RECESSED OR CLOSET INSTALLATIONS, WITH OR WITHOUT A PEDESTAL

Dimensions shown are the recommended spacing.



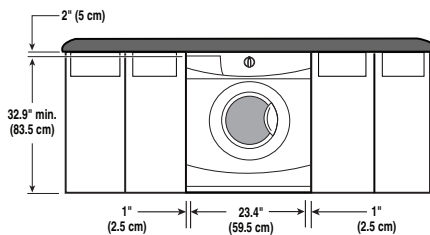
RECOMMENDED INSTALLATION SPACING FOR CABINET INSTALLATION

For cabinet installation, with a door, the minimum ventilation openings in the top are required.



RECOMMENDED INSTALLATION SPACING FOR CUSTOM UNDERCOUNTER INSTALLATION

Dimensions shown are the recommended spacing.



RECOMMENDED INSTALLATION SPACING FOR RECESSED OR CLOSET INSTALLATION, WITH STACKED WASHER AND DRYER

Dimensions shown are the recommended spacing.



*Min. top and bottom air openings for closet door.

**External exhaust elbow requires additional space.

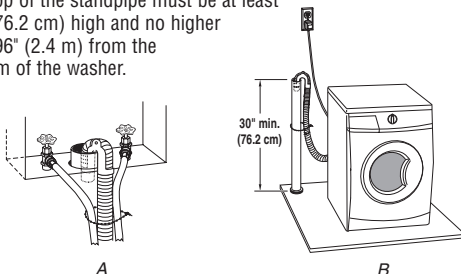
† Wall, door and floor molding may require additional spacing.

DRAIN SYSTEM OPTIONS

Standpipe drain system - wall or floor (view A & B)

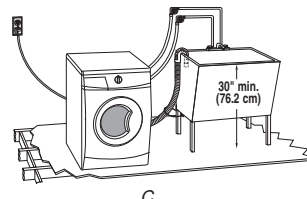
The standpipe drain requires a minimum diameter standpipe of 2" (5 cm). The minimum carry-away capacity can be no less than 17 gal. (64 L) per minute.

The top of the standpipe must be at least 30" (76.2 cm) high and no higher than 96" (2.4 m) from the bottom of the washer.



Laundry tub drain system (view A)

The laundry tub needs a minimum 20 gal. (76 L) capacity. The top of the laundry tub must be at least 30" (76.2 cm) above the floor.



Floor drain system (view B)

The floor drain system requires a siphon break that may be purchased separately.

The siphon break must be a minimum of 28" (71 cm) from the bottom of the washer. Additional hoses might be needed.

