



## **PEDESTAL**

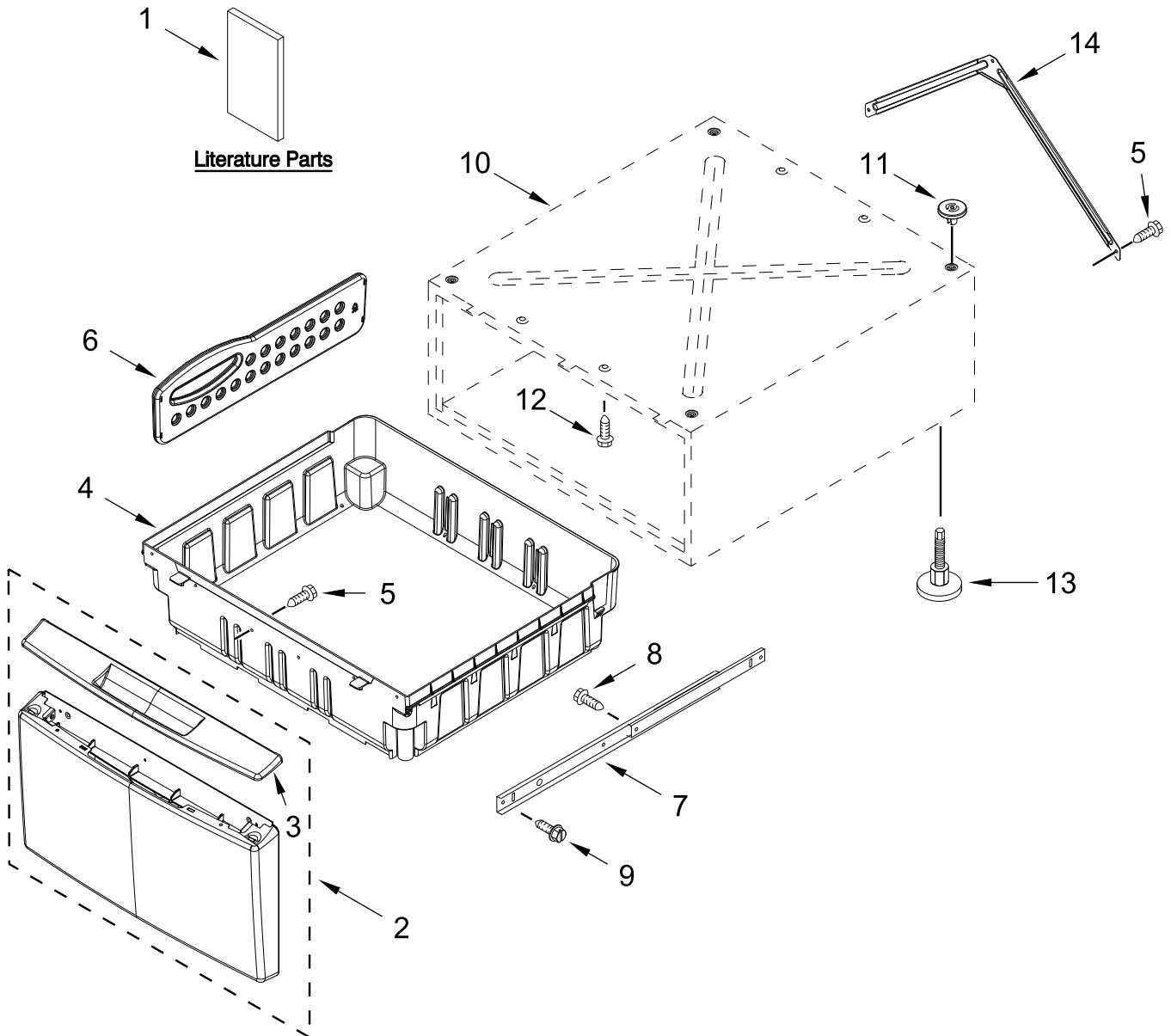
### **MODELS:**

WFP2715HW0 (White)

WFP2715HC0 (Chrome Shadow)

WFP2715HBK0 (Black Shadow)

# CABINET PARTS



# CABINET PARTS

<u>Illus.</u> <u>No.</u>	<u>Part No.</u>	<u>Description</u>	<u>Illus.</u> <u>No.</u>	<u>Part No.</u>	<u>Description</u>	<u>Illus.</u> <u>No.</u>	<u>Part No.</u>	<u>Description</u>
1		Literature Parts	11	8537982	Pad	14	W10169550	Brace, Rear
	W10347252	Installation Instructions	12	W10346892	Screw			FOLLOWING PARTS NOT ILLUSTRATED
2		Drawer Front Assembly	13	8563585	Foot, Leveling			PAINT, TOUCH-UP (1/2oz.)
	W11214908	White					72017	White
	W11214912	Chrome Shadow					W10446202	Chrome Shadow
	W11214914	Black Shadow					W11291074	Black Shadow
3		Handle, Drawer					W11291079	Black Shadow (Pen)
	W11202172	White						PAINT, PRESSURIZED SPRAY (12 oz.)
	W11202174	Chrome Shadow					350938	Gray Primer
	W11202177	Black Shadow					350930	White
4	W10844597	Drawer Bin						PAINT, BULK (1 qt.)
5	W10213953	Screw					799344	White (Uncut)
6	W10189999	Divider, Drawer						
7	8578394	Slide Assembly						
8	3388228	Screw						
9	9740849	Screw						
10		Cabinet (Not Serviced)						