

Freestanding Gas Range Control Guide

FEATURE GUIDE

WARNING: To reduce the risk of fire, electric shock, or injury to persons, read the IMPORTANT SAFETY INSTRUCTIONS, located in your appliance's Owner's Manual, before operating this appliance.

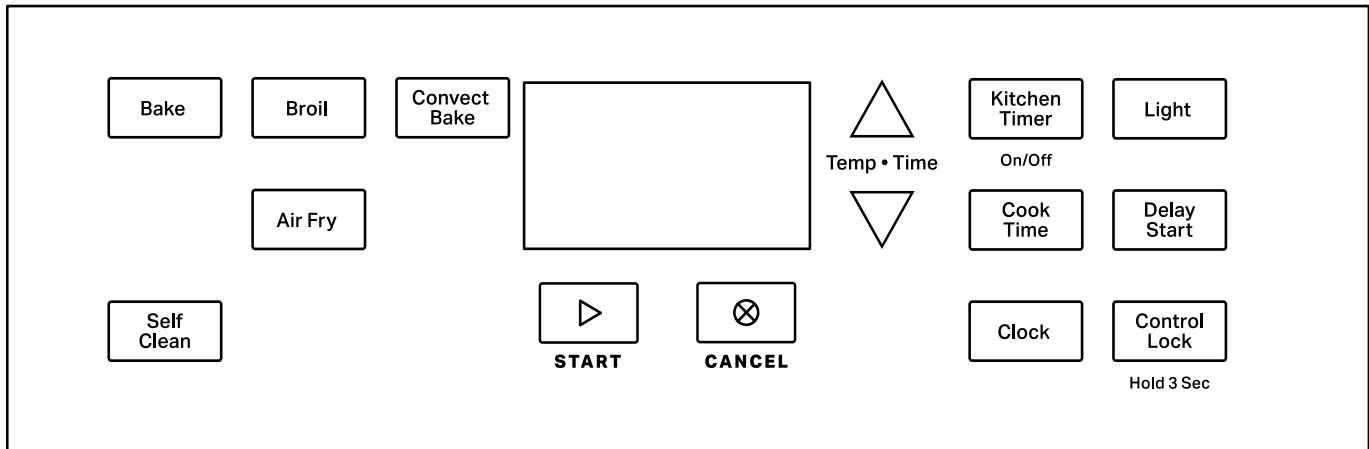
This manual covers several models. Your model may have some or all of the items listed. Refer to this manual or Frequently Asked Questions (FAQs) section of our website at www.maytag.com for more detailed instructions. In Canada, reference the Customer Service section at www.maytag.ca


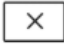
⚠ WARNING

Food Poisoning Hazard

Do not let food sit for more than one hour before or after cooking.

Doing so can result in food poisoning or sickness.



KEYPAD	FEATURE	INSTRUCTIONS
CLOCK	Clock	<p>The Clock uses a 12 hour cycle.</p> <ol style="list-style-type: none"> 1. Check that the oven is off. 2. Press CLOCK. 3. Press the Temp/Time up or down arrow keypad to set the hours. Press CLOCK to switch to the minutes. Press the Temp/Time up or down arrow keypad to set the minutes. 4. Press CLOCK or the Start keypad.
LIGHT	Oven cavity light	<p>While the oven door is closed, press LIGHT to turn the light on and off. The oven light will come on when the oven door is opened. The oven light will not come on during the Self-Cleaning cycle.</p>
TIMER SET/ OFF	Oven timer	<p>The Timer can be set in hours or minutes up to 9 hours and 59 minutes.</p> <ol style="list-style-type: none"> 1. Press TIMER SET/OFF. 2. Press the Temp/Time up or down arrow keypad to set the length of time. 3. Press the Start keypad to begin the countdown. If enabled, end-of-cycle tones will sound at end of countdown. 4. Press TIMER SET/OFF to cancel the Timer. Do not press the Cancel keypad because the oven will turn off.
Start 	Cooking start	<p>The Start keypad begins any oven function. If the Start keypad is not pressed within 10 seconds, a tone will sound and The Start keypad will blink until pressed or canceled. If Start is not pressed within 30 seconds after pressing a keypad, the function is canceled and the time of day is displayed.</p>
Cancel 	Range function	<p>The Cancel keypad stops any function except the Timer and Oven Control Lockout.</p>

KEYPAD	FEATURE	INSTRUCTIONS
TEMP/TIME	Temperature and time adjust	The Temp/Time up and down arrow keypads are used to adjust time and temperature settings.
BAKE	Baking and roasting	<ol style="list-style-type: none"> 1. Press BAKE. 2. Press the Temp/Time up or down arrow keypad until desired temperature is reached. A tone will sound if the minimum or maximum temperature is reached. 3. Press the Start keypad. 4. To change the temperature, repeat Step 2. Press the Start keypad. 5. Press the Cancel keypad when finished. <p>NOTE: The convection fan will shut off when the oven door is opened. If the oven door remains open for too long, the heating elements will shut off until the oven door is closed. All timers, including any active Cook Time or Timed Cook functions, will continue to count down.</p>
CONVECT BAKE	Convection baking and roasting	<ol style="list-style-type: none"> 1. Press CONVECT BAKE. 2. Press the Temp/Time up or down arrow keypad until desired temperature is reached. A tone will sound if the minimum or maximum temperature is reached. 3. Press the Start keypad. 4. To change the temperature, repeat Step 2. Press the Start keypad. 5. Press the Cancel keypad when finished. <p>NOTE: The convection fan will shut off when the oven door is opened. If the oven door remains open for too long, the heating elements will shut off until the oven door is closed. All timers, including any active Cook Time or Timed Cook functions, will continue to count down.</p>
FROZEN BAKE	Prepackaged food	<ol style="list-style-type: none"> 1. Position the food on a flat rack in the oven on rack position 3 or 4. See the “Positioning Racks and Bakeware” section. NOTE: Cook only 1 package of frozen food at a time when using Frozen Bake™ Technology. 2. Press FROZEN BAKE LASAGNA or PIZZA. 3. Press the Temp/Time up or down arrow keypad to set the temperature as recommended on the food packaging. 4. Press COOK TIME. 5. Press the Temp/Time up or down arrow keypad to set the maximum cook time as recommended on the food packaging. 6. Press the Start keypad. The range will calculate the best cook time based on the current oven temperature. NOTE: The cook time that appears in the display is the estimated required cook time as calculated by the oven control. It may be different than the time you entered. A beep will alert you to check the food’s doneness with at least 2 minutes remaining on the timer. Follow the prompts on the display to select more time if desired. 7. Press the Start keypad to start the calculated time. 8. At the end of the cook time, a beep will alert you to check the food’s doneness. When “End” is displayed and is flashing, you can add more time, if desired. Press the up or down arrow keypad to set the time, then press START. If more time is not added, the bake element will turn off. NOTE: Pressing Cancel will exit the Frozen Bake™ cycle. 9. Press the Cancel keypad when finished. NOTE: The convection fan will shut off when the oven door is opened. If the oven door remains open for too long, the heating elements will shut off until the oven door is closed. All timers, including any active Cook Time or Timed Cook functions, will continue to count down.
BROIL	Broiling	<ol style="list-style-type: none"> 1. Press BROIL. 2. Press the Temp/Time up or down arrow keypad until desired temperature is reached. A tone will sound if the minimum or maximum temperature is reached. 3. Press the Start keypad. 4. Preheat the oven for five minutes, unless otherwise recommended by recipe. Position cookware in the oven and close the oven door. 5. To change the temperature, repeat Step 2 and press the Start keypad. 6. Press the Cancel keypad when finished. <p>NOTE: The convection fan will shut off when the oven door is opened. If the oven door remains open for too long, the heating elements will shut off until the oven door is closed. All timers, including any active Cook Time or Timed Cook functions, will continue to count down.</p>

KEYPAD	FEATURE	INSTRUCTIONS
AIR FRY	Air Frying	<ol style="list-style-type: none"> 1. Press AIR FRY. 2. Press the Temp/Time up or down arrow keypad until desired temperature is reached. A tone will sound if the minimum or maximum temperature is reached. 3. Press the Start keypad. 4. To change the temperature, repeat Step 2. Press the Start keypad. 5. Press the Cancel keypad when finished. <p>NOTE: The convection fan will shut off when the oven door is opened. If the oven door remains open for too long, the heating elements will shut off until the oven door is closed. All timers, including any active Cook Time or Timed Cook functions, will continue to count down.</p>
DELAY START	Delayed start	<p>Delay Start is used to enter the starting time for an oven function with a delayed start. Delay Start should not be used for foods such as breads and cakes because they may not bake properly.</p> <p>To set a Timed Cook or a Delayed Timed Cook, see "Cook Time" section.</p>
COOK TIME	Timed cooking	<p>Cook Time allows the oven to be set to turn on at a certain time of day, cook for a set length of time, and/or shut off automatically.</p> <p>To set a Timed Cook or a Delayed Timed Cook, see "Cook Time" section.</p>
CLEAN	Self-Cleaning cycle	See the "Self-Cleaning Cycle" section in the Owner's Manual.
CONTROL LOCK (Hold 3 sec)	Oven control lockout	<ol style="list-style-type: none"> 1. Check that the oven and cooktop are off. 2. Press and hold CONTROL LOCK for 3 seconds. 3. A tone will sound and a lock will be displayed. 4. Repeat to unlock. No keypads will function with the controls locked.

Surface Temperatures

When the range is in use, all range surfaces may become hot, such as the knobs and oven door.

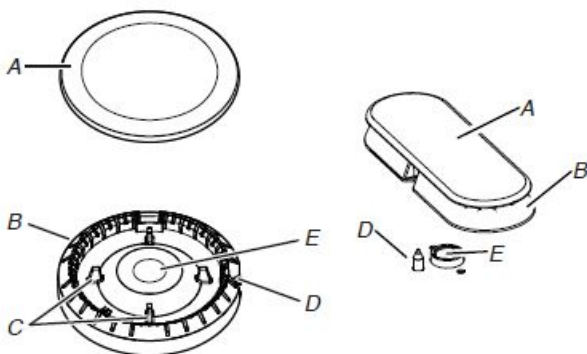
Baking, Warming or Storage Drawer

When the oven is in use, the drawer may become hot. Do not store plastics, cloth, or other items that could melt or burn in the drawer.

Oven Vent

The oven vent releases hot air and moisture from the oven, and should not be blocked or covered. Do not set plastics, paper, or other items that could melt or burn near the oven vent.

Sealed Surface Burners



A. Burner cap
B. Burner base
C. Alignment pins
D. Igniter
E. Gas tube opening

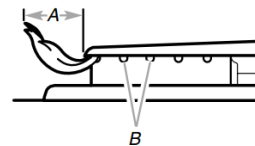
NOTE: The oval burner base is permanently attached to the burner cap.

IMPORTANT: Do not obstruct the flow of combustion and ventilation air around the burner grate edges.

Burner cap: Always keep the burner cap in place when using a surface burner. A clean burner cap will help avoid poor ignition and uneven flames. Always clean the burner cap after a spillover and routinely remove and clean the caps according to the "General Cleaning" section.

Alignment: Be sure to align the gas tube opening in the burner base with the orifice holder on the cooktop and the igniter electrode with the notch in the burner base.

Gas tube opening: Gas must flow freely throughout the gas tube opening for the burner to light properly. Keep this area free of soil and do not allow spills, food, cleaning agents, or any other material to enter the gas tube opening. Keep spillovers out of the gas tube opening by always using a burner cap.



A. 1-1 1/2" (2.5-3.8 cm)
B. Burner ports

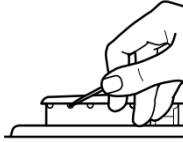
Burner ports: Check burner flames occasionally for proper size and shape as shown in the previous illustration. A good flame is blue in color, not yellow. Keep this area free of soil and do not allow spills, food, cleaning agents, or any other material to enter the burner ports.

To Clean:

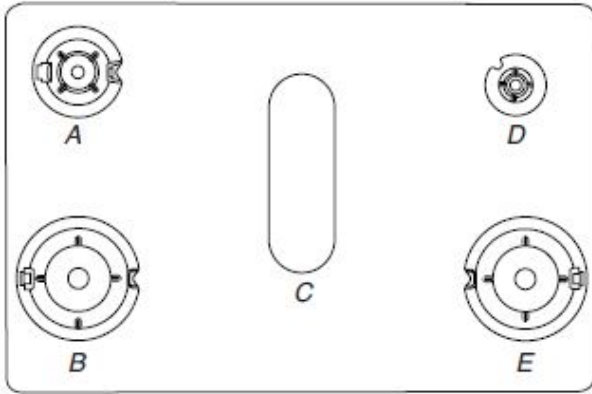
IMPORTANT: Before cleaning, make sure all controls are OFF and the cooktop is cool. Do not use oven cleaners, bleach, or rust removers.

1. Remove the burner cap and the burner base, and clean according to "General Cleaning" section in the Owner's Manual.
2. Clean the gas tube opening with a damp cloth.

- Clean clogged burner ports with a straight pin as shown. Do not enlarge or distort the port. Do not use a wooden toothpick. If the burner needs to be adjusted, contact a trained repair specialist.

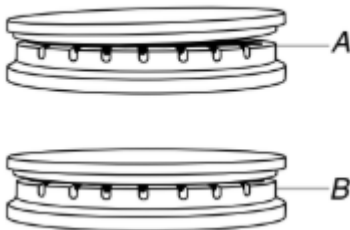


- Replace the burner base. Each round burner base is marked with a letter indicating the burner size. See the following illustration for burner positions.



- | | |
|------------------------|------------------------|
| A. Medium (Semi Rapid) | A. Small (Auxiliary) |
| B. Large (Ultra Rapid) | B. Large (Ultra Rapid) |
| C. Oval (OV) | |

- Replace the burner cap, making sure the alignment pins are properly aligned with the burner cap.



- A. Incorrect
B. Correct

- Place the burner caps on the appropriate burner bases.
IMPORTANT: The bottom of the small and medium caps are different. Do not put the wrong size burner cap on the burner base.

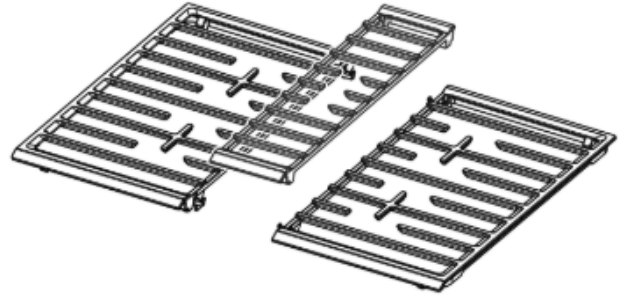


- Turn on the burner. If the burner does not light, check cap alignment. If the burner still does not light, do not service the sealed burner yourself. Contact a trained repair specialist.

Grates

Models WFG525, WFG550, and WFG535

The grates on this range cover the full width of the cooktop. The three grates interlock, using the hook formed into the grates. The flat end of the middle grate drops onto the hooks on the other grates as shown in the following illustration.



To install the grates, place the grate embossed "Left" on the left side of the cooktop. Place the grate embossed "Right" on the right side of the cooktop. Place the middle grate last, as shown in the previous illustration.

Cookware

IMPORTANT: Do not leave empty cookware on a hot surface cooking area, element or surface burner.

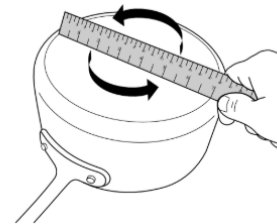
Ideal cookware should have a flat bottom, straight sides and a well-fitting lid, and the material should be of medium-to-heavy thickness.

Rough finishes may scratch the cooktop or grates/coils. Aluminum and copper may be used as a core or base in cookware. However, when used as a base they can leave permanent marks on the surfaces.

Cookware material is a factor in how quickly and evenly heat is transferred, which affects cooking results. A nonstick finish has the same characteristics as its base material. For example, aluminum cookware with a nonstick finish will take on the properties of aluminum.

Cookware with nonstick surfaces should not be used under the broiler.

Check for flatness by placing the straight edge of a ruler across the bottom of the cookware. While you rotate the ruler, no space or light should be visible between it and the cookware.



Use the following chart as a guide for cookware material characteristics.

Cookware	Characteristics
Aluminum	<ul style="list-style-type: none"> ■ Heats quickly and evenly. ■ Suitable for all types of cooking. ■ Medium or heavy thickness is best for most cooking tasks.
Cast iron	<ul style="list-style-type: none"> ■ Heats slowly and evenly. ■ Good for browning and frying. ■ Maintains heat for slow cooking.
Ceramic or Ceramic glass	<ul style="list-style-type: none"> ■ Follow manufacturer's instructions. ■ Heats slowly, but unevenly. ■ Ideal results on low to medium heat settings.
Copper	<ul style="list-style-type: none"> ■ Heats very quickly and evenly. ■ May leave copper residues, which may be diminished if cleaned immediately after cooking.
Earthenware/ Stoneware	<ul style="list-style-type: none"> ■ Follow manufacturer's instructions. ■ Use on low heat settings.
Porcelain enamel-on-steel or cast iron	<ul style="list-style-type: none"> ■ See stainless steel or cast iron.
Stainless steel	<ul style="list-style-type: none"> ■ Heats quickly, but unevenly. ■ A core or base of aluminum or copper on stainless steel provides even heating.

For best results, the cookware should be centered above the burner with the bottom sitting level on the grate. The flame should be adjusted so that it does not extend up the sides of the pan.



Home Canning

When canning for long periods, alternate the use of surface burners between batches. This allows time for the most recently used areas to cool.

- Center the canner on the grate above the burner.
- Do not place canner on 2 surface burners at the same time.
- For more information, contact your local agricultural extension office or refer to published home canning guides. Companies that manufacture home canning products can also offer assistance.

OVEN USE

The normal operation of the range will include several noises that may be heard each time the Bake or Broil burners ignite during the cooking cycle:

- Gas valves may make a “popping” sound when opening or closing.
- Igniters will “click” several times until a flame is sensed.
- A “poof” sound is heard when a bake or broil burner ignites.

Odors and smoke are normal when the oven is used the first few times or when it is heavily soiled.

IMPORTANT: The health of some birds is extremely sensitive to the fumes given off. Exposure to the fumes may result in death to certain birds. Always move birds to another closed and well-ventilated room.

NOTE: On some models: The convection fan will shut off when the oven door is opened. If the oven door remains open for too long, the heating elements will shut off until the oven door is closed. All timers, including any active Cook Time or Timed Cook functions, will continue to count down.

Electronic Oven Controls

Control Display

The display will flash when powered up or after a power loss. Press the Cancel keypad to clear. When the oven is not in use, the time of day is displayed.

Fahrenheit and Celsius

The temperature is preset to Fahrenheit but can be changed to Celsius.

To change: Press and hold the Temp/Time up arrow keypad for 5 seconds. “°C” or “°F” will appear on the display. Repeat to change back.

To exit mode, press the Cancel keypad.

Keypress Tones

Activates or turns off the tones when a keypad is pressed.

To change: Press and hold LIGHT for 5 seconds. Repeat to change back.

To exit mode, press the Cancel keypad.

Demo Mode

IMPORTANT: This feature is intended for use on the sales floor with 120 V power connection and permits the control features to be demonstrated without the oven turning on. If this feature is activated, the oven will not work.

To change: Press the Cancel keypad, the Cancel keypad, the Temp/Time up arrow keypad, and TIMER SET/OFF. Repeat to change back and end Demo mode.

Tones

Tones are audible signals, indicating the following:

One Tone

- Valid keypad press
- Oven is preheated (long tone)
- Function has been entered.
- Reminder (on some models), repeating every 20 seconds after the end-of-cycle tones

Three Tones

- Invalid keypad press

Four Tones

- End of cycle

On some models: Use the Clock/Tools keypad to change the tone settings.

Oven Temperature Offset Control

IMPORTANT: Do not use a thermometer to measure oven temperature. Elements will cycle on and off as needed to provide consistent temperature but may run slightly hot or cool at any point in time due to this cycling. Most thermometers are slow to react to temperature change and will not provide an accurate reading due to this cycling.

The oven provides accurate temperatures; however, it may cook faster or slower than your previous oven, so the temperature can be adjusted to personalize it for your cooking needs. It can be changed to Fahrenheit or Celsius.

To Adjust Oven Temperature:

1. Press and hold the Temp/Time down arrow keypad for 5 seconds until the oven display shows the current setting, for example "0°F CAL" or "00."
2. Press the Temp/Time up or down arrow keypad to increase or to decrease the temperature in 5°F (3°C) amounts. The adjustment can be set between 30°F (18°C) and -30°F (-18°C).
3. Press the Start keypad.

Sabbath Mode

For guidance on usage and a complete list of models with Sabbath mode, visit www.star-k.org.

The Sabbath mode sets the oven to remain on in a Bake setting until turned off. A Timed Bake can also be set to keep the oven on for only part of the Sabbath. The Oven Control Lockout feature will be disabled during the Sabbath mode. After the Sabbath mode is set, no tones will sound, the display will not show the temperature, the Kitchen Timer mode will be canceled (if active), and only the following keypads will function:

- Temp/Time up and down arrow keypads
- Cancel

When the oven door is opened or closed, the oven light will not turn on or off and the heating elements will not turn on or off immediately.

When power is restored after a power failure, the oven will return to Sabbath mode and remain Sabbath compliant with the bake elements off until the Cancel keypad is pressed.

Pressing the Cancel keypad at any time returns the oven to the normal cooking mode (not Sabbath compliant).

Before entering the Sabbath mode, it must be decided if the oven light is to be on or off for the entire Sabbath mode period. If the light is on when entering Sabbath mode, it will remain on for the entire time Sabbath mode is in use. If the light is off when entering Sabbath mode, it will remain off for the entire time Sabbath mode is in use. Opening the oven door or pressing LIGHT will not affect the oven light once Sabbath mode has been entered.

On the Holiday, the oven temperature can be changed once the oven is in Sabbath mode by pressing the Temp/Time up or down arrow keypad. The oven temperature will change 25°F (14°C) each time the Temp/Time up and down arrow keypads are pressed. Press the Start keypad to activate the new temperature. The display will not change and there will be no sounds during this adjustment.

To Activate and Bake Using Sabbath Mode:

1. Press BAKE.
2. Press the Temp/Time up or down arrow keypad.
3. Press the Start keypad.
4. Press and hold TIMER SET/OFF for 5 seconds. "SAb" will flash in the display.
5. Press the Start keypad while "SAb" is flashing to enter Sabbath mode; otherwise, the entire cycle cancels out. "SAb" will stop flashing and remain on in the display. The oven is now in Sabbath mode and is Sabbath compliant.

Pressing the Cancel keypad at any time returns the oven to the normal cooking mode (not Sabbath compliant).

NOTE: On some models: If "SAb" does not appear in your display, the Sabbath mode is not active. After Sabbath mode is deactivated, you must activate Sabbath mode by completing steps 1 through 5.

To Set a Timed Bake Using Sabbath Mode (on some models):

1. Press BAKE.
2. Press the Temp/Time up or down arrow keypad to enter a temperature other than the one displayed.
3. Press COOK TIME. The Cook Time oven indicator light will light up.
4. Press the Temp/Time up or down arrow keypad to enter a cook time length.
5. Press the Start keypad.
6. Press and hold TIMER SET/OFF for 5 seconds. "SAb" will flash in the display.
7. Press the Start keypad while "SAb" is flashing to enter Sabbath mode; otherwise, the entire cycle cancels out. "SAb" will stop flashing and remain on in the display. The oven is now in Sabbath mode and is Sabbath compliant. The Bake, On, and Cook Time indicator lights will be displayed.

When the set cook time ends, the oven will shut off automatically and the indicator lights will turn off, indicating the end of the cycle.

Pressing the Cancel keypad at any time returns the oven to the normal cooking mode (not Sabbath mode compliant).

NOTE: If "SAb" does not appear in your display, the Sabbath mode is not active. After Sabbath mode is deactivated, you must activate Sabbath mode by completing steps 1 through 5.

To Set a Delayed Timed Bake Using Sabbath Mode (on some models):

1. Press BAKE.
2. Press the Temp/Time up or down arrow keypad to enter a temperature other than the one displayed.
3. Press COOK TIME. The Cook Time oven indicator light will light up.
4. Press the Temp/Time up or down arrow keypad to enter a cook time length.
5. Press DELAY START. The Delay indicator light will light up.
6. Press the Temp/Time up or down arrow keypad to enter a start time.
7. Press the Start keypad.
8. Press and hold TIMER SET/OFF for 5 seconds. "SAb" will flash in the display.
9. Press the Start keypad while "SAb" is flashing to enter Sabbath mode; otherwise, the entire cycle cancels out. "SAb" will stop flashing and remain on in the display. The oven is now in Sabbath mode and is Sabbath compliant. The On and Delay indicator lights will be displayed.

When the start time is reached, the Bake, On, and Cook Time indicator lights will automatically turn on. When the set cook time ends, the oven will shut off automatically and the indicator lights will turn off, indicating the end of the cycle.

Pressing the Cancel keypad at any time returns the oven to the normal cooking mode (not Sabbath mode compliant).

NOTE: On some models: If "SAb" does not appear in your display, the Sabbath mode is not active. After Sabbath mode is deactivated, you must activate Sabbath mode by completing steps 1 through 5.

Keep Warm

NOTE: The convection fan will shut off when the oven door is opened. If the oven door remains open for too long, the heating elements will shut off until the oven door is closed. All timers, including any active Cook Time or Timed Cook functions, will continue to count down.

IMPORTANT: Food must be at serving temperature before placing it in the warmed oven. Food may be held up to 1 hour; however, breads and casseroles may become too dry if left in the oven during the Keep Warm function. For best results, cover food.

The Keep Warm feature allows hot cooked foods to stay at serving temperature.

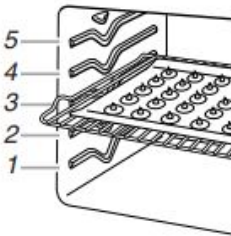
To Use:

1. Press KEEP WARM.
2. Press Temp/Time up or down arrow keypad until desired temperature is reached. A tone will sound if the minimum or maximum temperature is reached.
3. Press the Start keypad.
4. Place food in the oven.
5. Press the Cancel keypad when finished (on some models).

NOTE: The temperature may be changed at any time by pressing the Temp/Time up or down arrow keypad to reach the desired temperature and then pressing the Start keypad.

Positioning Racks and Bakeware

Use the following illustration as a guide.



Rack Positions

Rack 5: Toasting bread or broiling thin, non-fatty foods

Rack 4: two-rack baking and broiling

Rack 3: Air fry basket, most baked goods on a cookie sheet, muffin pan, or jelly roll pan; layer cakes; broiling chicken pieces

Rack 2: Pies, casseroles, yeast bread, quick breads, frozen convenience foods, and two-rack baking

Rack 1: Roasting large and small cuts of meat and poultry

Bakeware

To cook food evenly, hot air must be able to circulate. Allow 2" (5 cm) of space around bakeware and oven walls. Make sure that no bakeware piece is directly over another.

Multiple Rack Cooking

Two-rack: Use rack positions 2 and 4 or 2 and 5.

Air Fry Basket

When using the Air Fry feature, position the air fry basket on top of a large baking sheet. Place basket and sheet in the middle of the oven to increase air flow and circulation. Avoid using more than one basket to avoid uneven cooking.

Baking and Roasting

Preheating

When beginning a Bake, Convection Bake, or Convection Roast cycle, the oven will begin preheating after Start is pressed. The oven will take approximately 12 to 15 minutes to reach 350°F (177°C) with all of the oven racks provided with your oven inside the oven cavity. Higher temperatures will take longer to preheat. The preheat cycle rapidly increases the oven temperature. The actual oven temperature will go above your set temperature to offset the heat lost when your oven door is opened to insert food. This ensures that when you place your food in the oven, the oven will begin at the proper temperature. Insert your food when the preheat tone sounds. Do not open the door during preheat before the tone sounds.

Oven Temperature

While in use, the oven elements will cycle on and off as needed to maintain a consistent temperature, but they may run slightly hot or cool at any point in time due to this cycling. Opening the oven door while in use will release the hot air and cool the oven which could impact the cooking time and performance. It is recommended to use the oven light to monitor cooking progress.

NOTE: On models with convection, the convection fan may run in the non-convection Bake mode to improve oven performance.

The convection fan will shut off when the oven door is opened. If the oven door remains open for too long, the heating elements will shut off until the oven door is closed. All timers, including any active Cook Time or Timed Cook functions, will continue to count down.

Temperature Management System

The Temperature Management System electronically regulates the oven heat levels during preheat and bake to maintain a precise temperature range for optimal cooking results. The bake and broil elements or burners cycle on and off in intervals. On convection range models, the fan will run while preheating and may be cycled on and off for short intervals during bake to provide the best results. This feature is automatically activated when the oven is in use.

Before baking and roasting, position racks according to the "Positioning Racks and Bakeware" section. When roasting, it is not necessary to wait for the oven preheat cycle to end before putting food in unless it is recommended in the recipe.

Broiling

NOTE: The convection fan will shut off when the oven door is opened. If the oven door remains open for too long, the heating elements will shut off until the oven door is closed. All timers, including any active Cook Time or Timed Cook functions, will continue to count down.

When broiling, preheat the oven for 5 minutes before putting food in unless recommended otherwise in the recipe. Position food on grid in a broiler pan, then place it in the center of the oven rack.

IMPORTANT: Close the door to ensure proper broiling temperature.

Changing the temperature when broiling allows more precise control when cooking. The lower the broil setting is, the slower the cooking. Thicker cuts and unevenly shaped pieces of meat, fish, and poultry may cook better at lower broil settings. Use racks 4 or 5 for broiling. Refer to the "Positioning Racks and Bakeware" section for more information.

On lower settings, the broil element will cycle on and off to maintain the proper temperature.

■ For best results, use a broiler pan and grid. It is designed to drain juices and help avoid spatter and smoke.

If you would like to purchase a broiler pan, one may be ordered. Please refer to the Quick Start Guide for contact information.

NOTE: Odors and smoke are normal the first few times the oven is used or if the oven is heavily soiled.

Convection Baking, Roasting and Air Fry

NOTE: The convection fan will shut off when the oven door is opened. If the oven door remains open for too long, the heating elements will shut off until the oven door is closed. All timers, including any active Cook Time or Timed Cook functions, will continue to count down.

During convection baking, roasting or air frying the bake and broil elements or burners cycle on and off in intervals to maintain the oven temperature while the fan circulates the hot air.

If the oven door is opened during convection baking or roasting, the fan will turn off immediately. It will come back on when the oven door is closed.

NOTE: The convection fan will turn on approximately 5 minutes into any convection cycle.

Cook Time

To Set a Timed Cook:

1. Press **BAKE**. The Bake indicator light will light up.
2. Press the Temp/Time "up" or "down" arrow keypad to enter a temperature other than the one displayed.
3. Press **COOK TIME**. The Cook Time oven indicator light will light up.
4. Press the Temp/Time "up" or "down" arrow keypad to enter the length of time to cook.
5. Press the Start keypad. The display will count down the time. When the time ends, the oven will shut off automatically.
6. Press the Cancel keypad to clear the display.

To Set a Delayed Timed Cook:

Before setting, make sure the clock is set to the correct time of day. See "Clock" keypad feature in the "Feature Guide" section.

1. Press **BAKE**.
2. Press the Temp/Time "up" or "down" arrow keypad to enter a temperature other than the one displayed.
3. Press **COOK TIME**. The cook time oven indicator light will light up.
4. Press Temp/Time "up" or "down" arrow keypad to enter the length of time to cook.
5. Press **DELAY START**. The Delay Oven indicator light will light up.
6. Press Temp/Time "up" or "down" arrow keypad to enter the time of day to start.
7. Press the Start keypad.
When the start time is reached, the oven will automatically turn on. The Temperature and/or Cook Time settings can be changed anytime after the oven turns on by repeating steps 2-4 and pressing the Start keypad. To change to a different delay time, cancel the features and repeat steps 1-7. When the set cook time ends, the oven will shut off automatically.
8. Press the Cancel keypad to clear the display.

Guide des commandes du cuisinière à gaz autoportante

GUIDE DES CARACTÉRISTIQUES

AVERTISSEMENT : Pour réduire le risque d'incendie, de décharge électrique ou de blessures, lire les INSTRUCTIONS IMPORTANTES DE SÉCURITÉ du guide d'utilisation de votre appareil avant de faire fonctionner cet appareil.

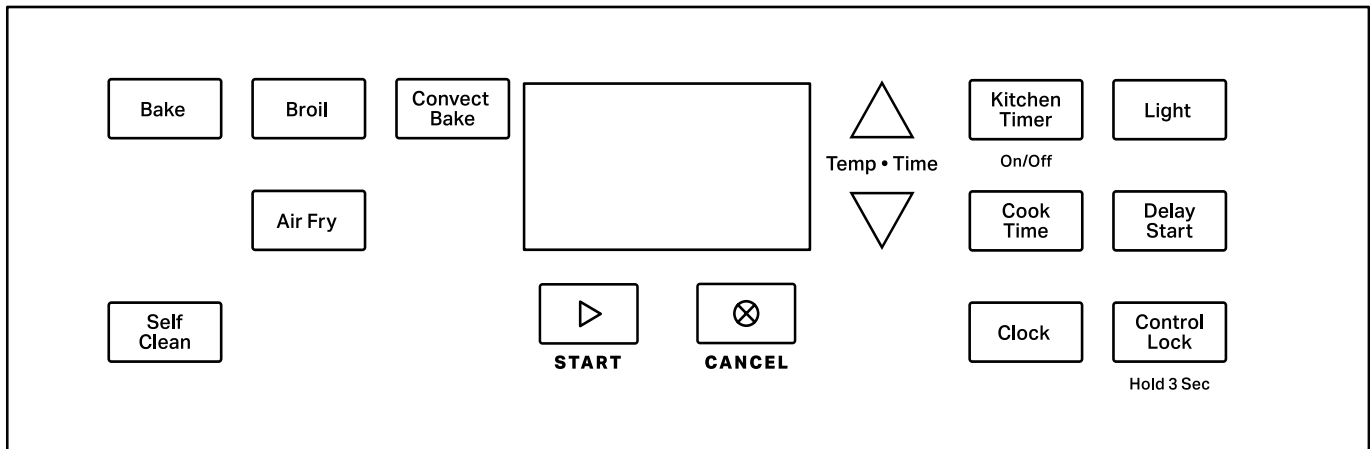
Ce manuel concerne plusieurs modèles. Le modèle que vous avez peut comporter toutes les caractéristiques énumérées ou seulement certaines d'entre elles. Reportez-vous à ce manuel ou à la section Foire Aux Questions de notre site Web sur www.maytag.com pour des instructions plus détaillées. Au Canada, consultez la section service à la clientèle à www.maytag.ca.


⚠ AVERTISSEMENT


Risque d'empoisonnement alimentaire

Ne pas laisser des aliments dans un four plus d'une heure avant ou après la cuisson.

Le non-respect de cette instruction peut causer un empoisonnement alimentaire ou une maladie.



TOUCHE	FONCTION	INSTRUCTIONS
CLOCK (horloge)	Horloge	L'horloge peut utiliser un format 12 heures. <ol style="list-style-type: none"> Vérifier que le four est éteint. Appuyer sur CLOCK (horloge). Appuyer sur la touche à flèche vers le haut ou vers le bas de Temp/Time (température/durée) pour régler l'heure. Appuyer sur CLOCK (horloge) pour passer aux minutes. Appuyer sur la touche à flèche vers le haut ou vers le bas de Temp/Time (température/durée) pour régler les minutes. Appuyer sur CLOCK (horloge) ou la touche mise en marche.
LIGHT (lampe du four)	Lampe de la cavité du four	Alors que la porte du four est fermée, appuyer sur LIGHT (lampe du four) pour allumer ou éteindre la lampe. La lampe du four s'allume à l'ouverture de la porte. La lampe du four ne s'allume pas durant le programme d'autonettoyage.
TIMER SET/OFF (arrêt de la minuterie)	Minuterie du four	La minuterie peut être réglée en heures ou en minutes jusqu'à concurrence de 9 heures et 59 minutes. <ol style="list-style-type: none"> Appuyer sur TIMER SET/OFF (arrêt de la minuterie). Appuyer sur la touche à flèche vers le haut ou vers le bas de Temp/Time (température/durée) pour régler la durée. Appuyer sur la touche mise en marche pour commencer le compte à rebours. Si activés, les signaux sonores de fin de programme retentissent à la fin du compte à rebours. Appuyer sur TIMER SET/OFF pour annuler la minuterie. Ne pas appuyer sur la touche annulation, sinon le four s'éteindra.
Mise en marche 	Démarrage de la cuisson	La touche mise en marche met en marche n'importe quelle fonction du four. Si l'on n'appuie pas sur la touche mise en marche dans les 10 secondes qui suivent, un signal sonore retentit et mise en marche clignote jusqu'à ce que la fonction soit sélectionnée ou annulée. Si, après avoir appuyé sur une touche, on n'appuie pas sur la touche mise en marche dans la 30 secondes qui suit, la fonction est annulée et l'heure s'affiche.

TOUCHE	FONCTION	INSTRUCTIONS
Annulation 	Fonction de la cuisinière	La touche annulation désactive toutes les fonctions à l'exception de la minuterie et du verrouillage des commandes du four.
TEMP/TIME (température/durée)	Réglage de la durée et de la température de cuisson	Les touches à flèche vers le haut et vers le bas de Temp/Time (température/durée) servent à régler la durée et la température.
BAKE (cuisson au four)	Cuisson au four et rôtissage	<ol style="list-style-type: none"> 1. Appuyer sur BAKE (cuisson au four). 2. Appuyer sur la touche à flèche vers le haut ou vers le bas de Temp/Time (température/durée) jusqu'à ce que la température souhaitée soit atteinte. Un signal sonore retentit lorsque la température minimum ou maximum est atteinte. 3. Appuyer sur la touche mise en marche. 4. Appuyer sur la touche mise en marche. 5. Pour changer la température, répéter l'étape 2. Appuyer sur la touche mise en marche. 6. Appuyer sur la touche annulation après avoir terminé. <p>REMARQUE : Le ventilateur de convection s'arrête lorsque la porte du four est ouverte. Si le porte du four reste ouverte trop longtemps, les éléments chauffants se ferment jusqu'à ce que la porte soit de nouveau fermée. Toutes les minuteries, incluant les minuteries de cuisson ou les fonctions de cuisson minutée, continuent leur compte à rebours.</p>
CONVECT BAKE (cuisson au four par convection)	Cuisson au four et rôtissage par convection	<ol style="list-style-type: none"> 1. Appuyer sur CONVECT BAKE (cuisson au four par convection). 2. Appuyer sur la touche à flèche vers le haut ou vers le bas de Temp/Time (température/durée) jusqu'à ce que la température souhaitée soit atteinte. Un signal sonore retentit lorsque la température minimum ou maximum est atteinte. 3. Appuyer sur la touche mise en marche. 4. Pour modifier la température, répéter l'étape 2. Appuyer sur la touche mise en marche. 5. Appuyer sur la touche annulation après avoir terminé. <p>REMARQUE : Le ventilateur de convection s'arrête lorsque la porte du four est ouverte. Si le porte du four reste ouverte trop longtemps, les éléments chauffants se ferment jusqu'à ce que la porte soit de nouveau fermée. Toutes les minuteries, incluant les minuteries de cuisson ou les fonctions de cuisson minutée, continuent leur compte à rebours.</p>
DELAY START (mise en marche différée)	Mise en marche différée	<p>Delay Start (mise en marche différée) sert à entrer l'heure de mise en marche pour un four équipé de mise en marche différée. La mise en marche différée ne doit pas être utilisée pour les aliments tels que pains et gâteaux car ils risquent de ne pas bien cuire.</p> <p>Pour régler une cuisson minutée ou une cuisson minutée différée, voir la section "Durée de cuisson".</p>
COOK TIME (durée de cuisson)	Cuisson minutée	<p>La cuisson minutée permet d'allumer le four à une certaine heure de la journée, d'effectuer une cuisson pendant une durée déterminée et/ou d'éteindre le four automatiquement.</p> <p>Pour régler une cuisson minutée ou une cuisson minutée différée, voir la section "Durée de cuisson".</p>
CONTROL LOCK (Hold 3 sec) (verrouillage des commandes [appuyer pendant 3 s])	Plats préparés surgelés Verrouillage des commandes du four	<ol style="list-style-type: none"> 1. Vérifier que le four et la table de cuisson sont éteint. 2. Appuyer pendant 3 secondes sur CONTROL LOCK (verrouillage des commandes). 3. Un signal sonore retentit et un verrou s'affiche. 4. Répéter l'opération pour déverrouiller. Aucune touche ne fonctionne lorsque les commandes sont verrouillées.
CLEAN (nettoyage)	Programme d'autonettoyage	Voir la section "Programme d'autonettoyage" du manuel d'utilisation.

TOUCHE	FONCTION	INSTRUCTIONS
FROZEN BAKE (cuisson de plats surgelés)	Plats préparés surgelés	<ol style="list-style-type: none"> Placer le plat sur une grille plate du four à la position 3 ou 4. Voir la section "Positionnement des grilles et ustensiles de cuisson au four". REMARQUE : Cuire un seul plat surgelé à la fois lorsque la technologie Frozen Bake™ est utilisée. Appuyer sur FROZEN BAKE LASAGNA or PIZZA (cuisson de lasagnes ou pizza surgelée(s)). Utiliser la touche à flèche vers le haut ou vers le bas de Temp/Time (température/durée) pour régler la température recommandée sur l'emballage du plat. Appuyer sur COOK TIME (durée de cuisson). Utiliser la touche à flèche vers le haut ou vers le bas de Temp/Time (température/durée) pour régler la durée de cuisson maximale recommandée sur l'emballage du plat. Appuyer sur la touche mise en marche. La cuisinière calcule la durée de cuisson optimale en fonction de la température actuelle du four. REMARQUE : La durée de cuisson qui s'affiche correspond à la durée nécessaire estimée par le module de commande du four. Elle peut différer de la durée saisie. Un signal sonore retentit pour pouvoir vérifier le niveau de cuisson des aliments, avec au moins 2 minutes restant sur la minuterie. Suivre les instructions à l'écran pour sélectionner une durée supplémentaire le cas échéant. Appuyer sur la touche mise en marche pour lancer le calcul de la durée de cuisson. À la fin de la durée de cuisson, un signal sonore retentit pour vérifier le niveau de cuisson des aliments. Lorsque "End" (fin) est affichée et () clignote, l'on peut ajouter plus de temps, le cas échéant. Appuyer sur la flèche vers le haut ou vers le bas pour régler la durée, puis appuyer sur la touche mise en marche. Si aucune durée supplémentaire n'est sélectionnée, l'élément chauffant de cuisson au four s'éteint. REMARQUE : Appuyer sur la touche annulation permet de sortir du programme Frozen Bake™ (cuisson de plat surgelé). Appuyer sur la touche annulation après avoir terminé. REMARQUE : Le ventilateur de convection s'arrête lorsque la porte du four est ouverte. Si le porte du four reste ouverte trop longtemps, les éléments chauffants se ferment jusqu'à ce que la porte soit de nouveau fermée. Toutes les minuteries, incluant les minuteries de cuisson ou les fonctions de cuisson minutée, continuent leur compte à rebours.
BROIL (cuisson au grill)	Cuisson au grill	<ol style="list-style-type: none"> Appuyer sur BROIL (cuisson au grill). Appuyer sur la touche à flèche vers le haut ou vers le bas de Temp/Time (température/durée) jusqu'à ce que la température souhaitée soit atteinte. Un signal sonore retentit lorsque la température minimum ou maximum est atteinte. Appuyer sur la touche mise en marche. Préchauffer le four pendant cinq minutes, sauf indication contraire dans la recette. Placer les ustensiles de cuisson dans le four et fermer la porte du four. Pour changer la température, répéter l'étape 2 et appuyer sur la touche mise en marche. Appuyer sur la touche annulation après avoir terminé. REMARQUE : Le ventilateur de convection s'arrête lorsque la porte du four est ouverte. Si le porte du four reste ouverte trop longtemps, les éléments chauffants se ferment jusqu'à ce que la porte soit de nouveau fermée. Toutes les minuteries, incluant les minuteries de cuisson ou les fonctions de cuisson minutée, continuent leur compte à rebours.
AIR FRY (friture à l'air)	Friture à l'air	<ol style="list-style-type: none"> Appuyer sur AIR FRY (friture à l'air). Appuyer sur la touche à flèche vers le haut ou vers le bas de Temp/Time (température/durée) jusqu'à ce que la température souhaitée soit atteinte. Un signal sonore retentit lorsque la température minimum ou maximum est atteinte. Appuyer sur la touche mise en marche. Pour modifier la température, répéter l'étape 2. Appuyer sur la touche mise en marche. Appuyer sur la touche annulation après avoir terminé. REMARQUE : Le ventilateur de convection s'arrête lorsque la porte du four est ouverte. Si le porte du four reste ouverte trop longtemps, les éléments chauffants se ferment jusqu'à ce que la porte soit de nouveau fermée. Toutes les minuteries, incluant les minuteries de cuisson ou les fonctions de cuisson minutée, continuent leur compte à rebours.

Températures en surface

Lorsque la cuisinière est en marche, toutes ses surfaces peuvent chauffer, y compris les boutons de commande et la porte du four.

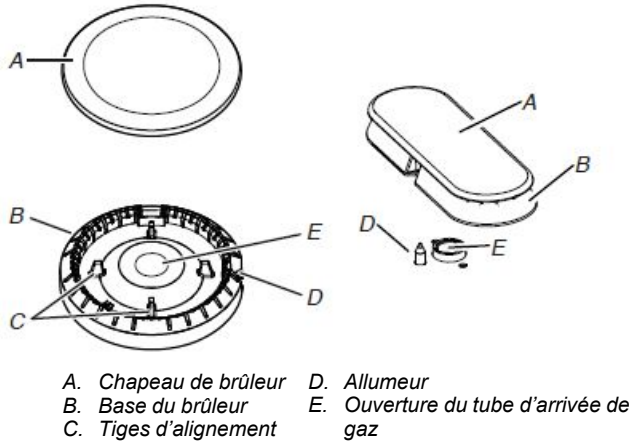
Cuisson, Tiroir-réchaud ou tiroir de remisage

Lorsque le four est en marche, le tiroir peut chauffer. Ne pas placer d'objets en plastique, en tissu ou susceptibles de fondre ou de brûler dans le tiroir.

Évent du four

L'évent du four permet l'évacuation de l'air chaud et de l'humidité du four. Il ne doit pas être obstrué ou couvert. Ne pas placer près de l'évent du four des objets en plastique, en papier ou susceptibles de fondre ou de brûler.

Brûleurs de surface scellés



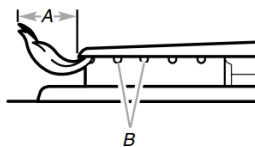
REMARQUE : La base du brûleur ovale est fixée de façon permanente au chapeau du brûleur.

IMPORTANT : Ne pas entraver l'évacuation de l'air de combustion et de ventilation autour des bords des grilles de brûleur.

Chapeau de brûleur : Toujours garder le chapeau de brûleur en place lorsqu'un brûleur de surface est utilisé. Un chapeau de brûleur propre aide à empêcher le mauvais allumage et les flammes irrégulières. Toujours nettoyer le chapeau du brûleur après un renversement; enlever et nettoyer régulièrement les chapeaux tel qu'indiqué à la section "Nettoyage général".

Alignement : Veiller à aligner l'ouverture du tube d'arrivée de gaz de la base du brûleur avec le porte-gicleur situé sur la table de cuisson, et à aligner également l'électrode d'allumage avec l'encoche de la base du brûleur.

Ouverture du tube d'arrivée de gaz : Pour que la flamme s'allume convenablement, il faut que le gaz puisse passer librement à travers l'orifice. Garder cette zone propre et ne pas laisser les produits renversés, les aliments, les agents de nettoyage ou tout autre produit pénétrer dans l'ouverture du tube d'arrivée de gaz. Toujours utiliser un chapeau de brûleur pour protéger l'ouverture de gaz contre tout renversement.



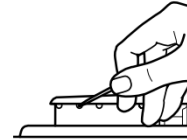
A. 1 à 1 1/2 po (2,5 à 3,8 cm) B. Orifices de brûleur

Orifices de brûleur : Examiner occasionnellement les flammes des brûleurs pour en vérifier la taille et la forme tel qu'indiqué ci-dessus. Une bonne flamme est bleue plutôt que jaune. Garder cette zone exempte de saletés et ne pas laisser les produits renversés, les aliments, les agents de nettoyage ou autre produit pénétrer dans les orifices de brûleur.

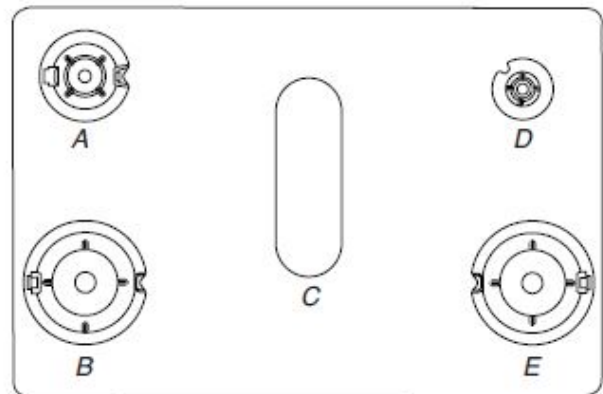
Nettoyage :

IMPORTANT : Avant le nettoyage, s'assurer que toutes les commandes sont désactivées et que la table de cuisson a refroidi. Ne pas utiliser de nettoyeurs à four, d'agents de blanchiment ou de décapants à rouille. Ne pas laver au lave-vaisselle.

1. Enlever le chapeau et la base du brûleur et nettoyer tel qu'indiqué à la section "Nettoyage général".
2. Nettoyer l'ouverture du tube d'arrivée de gaz avec un chiffon humide.
3. Nettoyer les orifices de brûleur obstrués avec une épingle droite tel qu'indiqué. Ne pas agrandir ni déformer l'orifice. Ne pas utiliser un cure-dents en bois. Si le brûleur a besoin d'être ajusté, contacter un technicien de réparation qualifié.

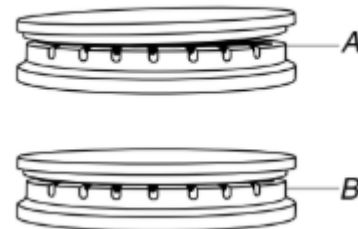


4. Réinstaller la base du brûleur. Chaque base de brûleur rond est marquée d'une lettre indiquant la taille du brûleur. Voir les illustrations suivantes pour connaître la position des brûleurs.



A. Moyen (Semi-rapide) D. Petit (Auxiliaire)
B. Grand (Ultra rapide) E. Grand (Ultra rapide)
C. Ovale (OV)

5. Réinstaller le chapeau de brûleur et s'assurer que les tiges d'alignement sont bien alignées avec le chapeau de brûleur.



A. Incorrect
B. Correct

6. Placer les chapeaux de brûleur sur les bases de brûleur correspondantes.

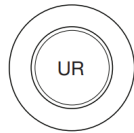
IMPORTANT : Les dessous des chapeaux petit et moyen sont différents. Ne pas placer un chapeau de la taille incorrecte sur la base du brûleur.



Petit chapeau
(Auxiliaire)



Chapeau moyen
(Semi-rapide)



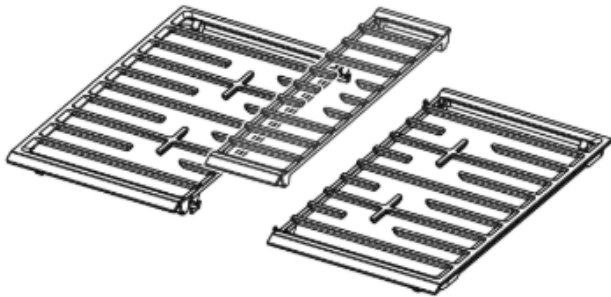
Grand chapeau (Ultra
rapide)

7. Allumer le brûleur. Si le brûleur ne s'allume pas, vérifier l'alignement du chapeau. Si le brûleur ne s'allume toujours pas, ne pas faire vous-même la réparation du brûleur scellé. Contacter un technicien de réparation qualifié.

Grilles

Models WFG525, WFG550, and WFG535

Les grilles de cette cuisinière couvrent toute la table de cuisson en largeur. Il est possible d'imbriquer les trois grilles à l'aide des crochets situés sur les grilles. L'extrémité plate de la grille centrale s'emboîte sur les crochets des autres grilles comme indiqué dans l'illustration suivante.



Pour installer les grilles, placer la grille estampée "Left" (gauche) sur le côté gauche de la table de cuisson. Placer la grille estampée "Right" (droit) sur le côté droit de la table de cuisson. Placer la grille centrale en dernier, comme indiqué dans l'illustration précédente.

Ustensiles de cuisson

IMPORTANT : Ne pas laisser d'ustensile de cuisson vide sur une surface de cuisson, un élément ou un brûleur de surface chauds.

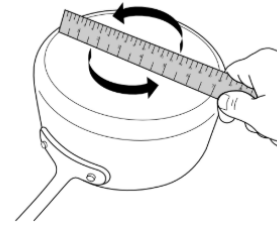
L'ustensile de cuisson idéal doit avoir un fond plat, des parois droites, un couvercle qui ferme hermétiquement et le matériau doit être d'épaisseur moyenne à forte.

Les finis rugueux peuvent érafler la table de cuisson ou les grilles. L'aluminium et le cuivre peuvent être utilisés comme fond ou base d'un ustensile de cuisson.

Le matériau d'un ustensile a une influence sur la rapidité et l'uniformité de la transmission de la chaleur, lesquelles contribuent aux résultats de cuisson.

Les ustensiles de cuisson avec surface antiadhésive ne doivent pas être utilisés sous le gril.

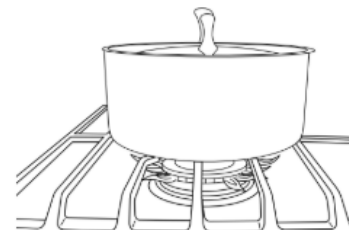
Vérifier que le récipient est plat en plaçant le bord plat d'une règle en travers du fond du récipient. Lorsque l'on fait tourner la règle, aucun espace ni aucune lumière ne devraient être visibles entre celle-ci et le récipient.



Utiliser le tableau suivant comme guide pour les caractéristiques du matériau de l'ustensile de cuisson.

Ustensile	Caractéristiques
Aluminium	<ul style="list-style-type: none"> ■ Chauffe rapidement et uniformément. ■ Convient à tous les genres de cuisson. ■ L'épaisseur moyenne ou forte convient le mieux pour la plupart des tâches de cuisson.
Fonte émaillée	<ul style="list-style-type: none"> ■ Chauffe lentement et uniformément. ■ Convient pour le brunissage et la friture. ■ Maintient la chaleur pour une cuisson lente.
Céramique ou vitrocéramique	<ul style="list-style-type: none"> ■ Suivre les instructions du fabricant. ■ Chauffe lentement, mais inégalement. ■ Les meilleurs résultats sont obtenus sur les réglages de chaleur basse à moyenne
Cuivre	<ul style="list-style-type: none"> ■ Chauffe très rapidement et uniformément. ■ Peut laisser des résidus de cuivre. Pour en réduire la quantité, les nettoyer immédiatement après la cuisson.
Terre cuite	<ul style="list-style-type: none"> ■ Suivre les instructions du fabricant. ■ Utiliser des réglages de température basse.
Émail à la porcelaine sur acier ou fonte	<ul style="list-style-type: none"> ■ Voir acier inoxydable ou fonte.
Acier inoxydable	<ul style="list-style-type: none"> ■ Chauffe rapidement, mais inégalement. ■ Un fond ou une base d'aluminium ou de cuivre sur l'acier inoxydable procure un chauffage uniforme.

Pour les meilleurs résultats, les ustensiles de cuisson doivent être centrés au-dessus du brûleur tout en ayant le fond posé à l'horizontale sur la grille. La flamme doit être réglée de sorte qu'elle ne s'étende pas sur les côtés de l'ustensile.



Mise en conserve à la maison

Lors de la préparation de conserves pendant de longues périodes, alterner l'utilisation des brûleurs de surface de cuisson entre chaque quantité préparée. Ceci permet aux dernières surfaces utilisées de refroidir.

- Centrer l'autoclave sur la grille au-dessus du brûleur.
- Ne pas placer l'autoclave sur deux brûleurs de surface en même temps.
- Pour plus de renseignements, contacter le bureau de développement agricole local, ou consulter les guides de mise en conserve domestique. Les entreprises qui fabriquent des produits pour la préparation de conserves peuvent aussi offrir de l'aide.

UTILISATION DU FOUR

Le fonctionnement normal de la cuisinière inclut plusieurs bruits qui peuvent être entendus chaque fois que les brûleurs de cuisson au four ou de cuisson au gril s'allument durant le programme de cuisson :

- Les robinets de gaz peuvent faire un bruit "sec" lorsqu'ils s'ouvrent ou se ferment.
- Les allumeurs émettront plusieurs déclics jusqu'à ce qu'une flamme soit détectée. Un bruit "d'affaissement" se fait entendre lorsque le brûleur de cuisson au four ou de cuisson au gril s'allume.

Des odeurs et de la fumée sont normales lorsque le four est utilisé les premières fois, ou lorsqu'il est très sale.

IMPORTANT: La santé de certains oiseaux est très sensible aux émanations de fumée. L'exposition aux émanations peut entraîner la mort de certains oiseaux. Toujours déplacer les oiseaux dans une autre pièce fermée et bien aérée.

NOTE: Le ventilateur de convection s'arrête lorsque la porte du four est ouverte. Si la porte du four reste ouverte trop longtemps, les éléments chauffants se ferment jusqu'à ce que la porte soit de nouveau fermée. Toutes les minuteries, incluant les minuteries de cuisson ou les fonctions de cuisson minutée, continuent leur compte à rebours.

Commandes électroniques du four

Affichage des commandes

L'affichage clignote à la mise sous tension ou après une coupure de courant. Appuyer sur la touche annulation pour effacer. Lorsque le four n'est pas utilisé, l'heure s'affiche.

Fahrenheit et Celsius

La température est pré-réglée pour un affichage en degrés Fahrenheit, mais on peut la permuter en degrés Celsius.

Pour modifier : appuyer sur la flèche vers le haut de Temp/Time (température/durée) pendant 5 secondes. "°C" ou "°F" apparaît sur l'affichage. Répéter l'opération pour permuter à nouveau.

Pour sortir du mode, appuyer sur la touche annulation.

Signaux sonores d'appui sur une touche

Active ou désactive les signaux sonores lorsqu'on appuie sur une touche.

Pour modifier : appuyer sur LIGHT (lampe du four) pendant 5 secondes. Répéter l'opération pour permuter à nouveau.

Pour sortir de ce mode, appuyer sur la touche annulation.

Mode de démonstration

IMPORTANT: Destinée au personnel en magasin, cette fonction permet, avec un raccordement au secteur 120 V, de présenter les fonctions des commandes sans pour autant activer les éléments chauffants. Si cette fonction est activée, le four ne fonctionnera pas.

Pour modifier : appuyer sur la touche annulation, la touche annulation, la flèche vers le haut de Temp/Time (température/durée), TIMER SET/OFF (minuterie). Répéter l'opération pour permuter à nouveau et mettre fin au mode Démo.

Signaux sonores

Les signaux sonores avertissent l'utilisateur de divers événements :

Un seul signal sonore

- Appui sur une touche valide
- Four préchauffé (signal sonore long).
- Fonction entrée.
- Rappel, se répétant toutes les 20 secondes après le signal sonore de fin du programme

Trois signaux sonores

- Appui sur une touche non valide

Quatre signaux sonores

- Fin de programme

On some models: Use the Clock/Tools keypad to change the tone settings.

Commande de la température du four

IMPORTANT : Ne pas utiliser de thermomètre pour mesurer la température du four. Les éléments chauffants s'allument et s'éteignent en alternance pour maintenir une température constante, mais leur température peut varier légèrement dans un sens ou dans l'autre du fait de cette alternance. De nombreux thermomètres réagissent lentement à un changement de température, et ne donneront pas une mesure exacte du fait de cette alternance.

Le four fournit des températures précises; toutefois, il peut cuire plus rapidement ou plus lentement que votre ancien four, c'est pourquoi la température peut être ajustée à vos besoins de cuisson. Elle peut être modifiée en degrés Fahrenheit ou Celsius.

Ajustement de la température du four :

1. Appuyer sur la flèche vers le bas de Temp/Time (température/durée) pendant 5 secondes jusqu'à ce que l'afficheur du four indique le réglage actuel, par exemple "0 °F CAL" ou "00".
2. Appuyer sur la touche à flèche vers le haut ou vers le bas de Temp/Time (température/durée) pour augmenter ou diminuer la température par tranches de 5 °F (3 °C). L'ajustement peut être réglé entre 30 °F (18 °C) et -30 °F (-18 °C).
3. Appuyer sur la touche mise en marche.

Mode Sabbat

For guidance on usage and a complete list of models with Sabbath mode, visit www.star-k.org.

Le mode Sabbat permet au four de continuer à fonctionner sur un réglage de cuisson au four jusqu'à ce qu'on l'éteigne. Une cuisson au four minutée peut également être programmée pour garder le four allumé seulement pendant une partie du mode Sabbat. La caractéristique de verrouillage des commandes du four (si présente) est désactivée pendant le mode Sabbat. Une fois le mode Sabbat réglé, aucun signal sonore ne retentit, l'affichage n'indique pas la température, le mode de minuterie de cuisine est annulé (si activé) et seules les touches suivantes fonctionnent :

- La touche à flèche vers le haut ou vers le bas de Temp/Time (température/durée)
- Annulation

Lorsque la porte du four est ouverte ou fermée, la lampe du four ne s'allume et ne s'éteint pas et les éléments de chauffage ne s'allument et ne s'éteignent pas immédiatement.

Lorsque le courant est rétabli après une panne de courant, le four retourne au mode Sabbat et conserve les modalités du mode Sabbat avec les éléments de cuisson au four désactivés jusqu'à ce que l'on appuie sur la touche annulation.

Si l'on appuie sur la touche annulation à tout moment, le programme de cuisson est annulé et le four revient au mode de cuisson normal (ne présente plus les modalités du mode Sabbat).

Avant d'entrer au mode Sabbat, l'utilisateur doit décider s'il souhaite que la lampe du four soit allumée ou éteinte pendant toute la période du mode Sabbat. Si la lampe est allumée au moment où le four entre au mode Sabbat, elle restera allumée durant toute la période d'utilisation du mode Sabbat. Si la lampe est éteinte au moment où le four entre au mode Sabbat, elle restera éteinte durant toute la période d'utilisation du mode Sabbat. Le fait d'ouvrir la porte du four ou d'appuyer sur la touche Oven Light (lampe du four) n'affecte pas le statut de la lampe du four une fois que le four est entré au mode Sabbat.

Au mode de vacances, la température peut être modifiée une fois que le four est au mode Sabbat en appuyant sur les touches à flèche vers le haut ou vers le bas de Temp/Time (température/durée). La température du four change de 25 °F (14 °C) à chaque pression de touche à flèche "vers le haut" et "vers le bas" de Temp/Time (température/durée). Appuyer sur la touche mise en marche pour activer la nouvelle température. L'affichage ne change pas et aucun signal sonore ne retentit durant cet ajustement.

Cuisson au four avec le mode Sabbat :

1. Appuyer sur BAKE (cuisson au four).
2. Pour modifier la température, appuyer sur les touches à flèche vers le haut ou vers le bas de Temp/Time (température/durée).
3. Appuyer sur la touche mise en marche.
4. Appuyer sur TIMER SET/OFF (réglage/arrêt de la minuterie) pendant 5 secondes, "SAb" clignote sur l'affichage.
5. Appuyer sur la touche mise en marche tandis que "SAb" clignote pour permettre d'entrer en mode Sabbat, sans quoi le programme tout entier est annulé. "SAb" cesse de clignoter et reste affiché. Le four est à présent au mode Sabbat et respecte les modalités du mode Sabbat.

Si l'on appuie sur la touche annulation à tout moment, le programme de cuisson est annulé et le four revient au mode de cuisson normal (ne présente plus les modalités du mode Sabbat).

REMARQUE : Si "SAb" ne s'affiche pas, le mode Sabbat n'est pas actif. Pour activer de nouveau le mode Sabbat après l'avoir désactivé, suivre les étapes 1 à 5.

Pour régler une cuisson au four minutée avec le mode Sabbat (sur certains modèles) :

1. Appuyer sur BAKE (cuisson au four).
2. Appuyer sur la touche à flèche vers le haut ou vers le bas de Temp/Time (température/durée) pour entrer une température autre que celle qui est affichée.
3. Appuyer sur COOK TIME (durée de cuisson). Le témoin lumineux de la durée de cuisson du four s'allume.
4. Appuyer sur la touche à flèche vers le haut ou vers le bas de Temp/Time (température/durée) pour entrer une durée de cuisson.
5. Appuyer sur la touche mise en marche.
6. Appuyer sur TIMER SET/OFF (réglage/arrêt de la minuterie) pendant 5 secondes. "SAb" clignote sur l'affichage.
7. Appuyer sur la touche mise en marche tandis que "SAb" clignote pour permettre d'entrer en mode Sabbat, sans quoi le programme tout entier est annulé. "SAb" cesse de clignoter et reste affiché. Le four est à présent au mode Sabbat et respecte les modalités du mode Sabbat. Les témoins lumineux de Bake (cuisson au four), On (marche) et Cook Time (durée de cuisson) s'affichent.

Lorsque la durée de cuisson réglée est écoulée, le four s'éteint automatiquement et les témoins lumineux s'éteignent, indiquant la fin du programme.

Si l'on appuie sur la touche annulation à tout moment, le programme de cuisson est annulé et le four revient au mode de cuisson normal (ne présente plus les modalités du mode Sabbat).

Pour régler une cuisson au four minutée différée avec le mode Sabbat (sur certains modèles) :

1. Appuyer sur BAKE (cuisson au four).
2. Appuyer sur la touche à flèche vers le haut ou vers le bas de Temp/Time (température/durée) pour entrer une température autre que celle qui est affichée.
3. Appuyer sur COOK TIME (durée de cuisson). Le témoin lumineux de la durée de cuisson du four s'allume.
4. Appuyer sur la touche à flèche vers le haut ou vers le bas de Temp/Time (température/durée) pour entrer une durée de cuisson.
5. Appuyer sur DELAY (mise en marche différée). Le témoin de mise en marche différée s'allume.
6. Appuyer sur la touche à flèche vers le haut ou vers le bas de Temp/Time (température/durée) pour entrer une heure de mise en marche.
7. Appuyer sur la touche mise en marche.
8. Appuyer sur TIMER SET/OFF (réglage/arrêt de la minuterie) pendant 5 secondes. "SAb" clignote sur l'affichage.
9. Appuyer sur la touche mise en marche tandis que "SAb" clignote pour permettre d'entrer en mode Sabbat, sans quoi le programme tout entier est annulé. "SAb" cesse de clignoter et reste affiché. Le four est à présent au mode Sabbat et respecte les modalités du mode Sabbat. Le témoin lumineux de Delay (mise en marche différée) s'affichent.

Lorsque l'heure de mise en marche est atteinte, les témoins lumineux de Bake (cuisson au four), On (marche) et Cook Time (durée de cuisson) s'allument automatiquement. Lorsque la durée de cuisson réglée est écoulée, le four s'éteint automatiquement et les témoins lumineux s'éteignent, indiquant la fin du programme.

Si l'on appuie sur la touche annulation à tout moment, le four revient au mode de cuisson normal (ne présente plus les modalités du mode Sabbat).

REMARQUE : Si "SAb" ne s'affiche pas, le mode Sabbat n'est pas actif. Pour activer de nouveau le mode Sabbat après l'avoir désactivé, suivre les étapes 1 à 5.

Maintien au chaud

REMARQUE : La température peut être modifiée à tout moment en appuyant sur les touches à flèche vers le haut ou vers le bas de Temp/Time (température/durée) jusqu'à ce qu'on obtienne la température souhaitée, puis sur la touche mise en marche.

IMPORTANT : Les aliments doivent être à la température de service avant d'être placés dans le four chaud. Les aliments peuvent être gardés au four jusqu'à une heure; toutefois, les pains et les mets en sauce peuvent devenir trop secs s'ils sont laissés dans le four alors que la fonction Keep Warm (maintien au chaud) est activée. Pour de meilleurs résultats, couvrir les aliments.

La caractéristique Keep Warm (maintien au chaud) permet de garder les aliments cuits chauds à une température de service.

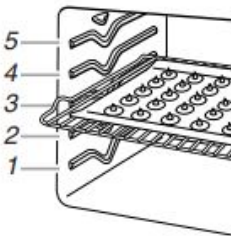
Utilisation :

1. Appuyer sur KEEP WARM (maintien au chaud).
2. Appuyer sur les touches à flèche vers le haut ou vers le bas de Temp/Time (température/durée) jusqu'à ce que la température souhaitée soit atteinte. Un signal sonore retentit lorsque la température minimum ou maximum est atteinte.
3. Appuyer sur la touche mise en marche.
4. Placer les aliments dans le four.
5. Appuyer sur CANCEL (annulation) après avoir terminé.

REMARQUE : La température peut être modifiée à tout moment en appuyant sur la touche à flèche vers le haut ou vers le bas de Temp/Time (température/durée) jusqu'à ce que la température souhaitée s'affiche, puis en appuyant sur la touche mise en marche.

Positionnement des grilles et des ustensiles de cuisson au four

Se servir de l'illustration suivante comme guide.



Position de la grille

Grille 5 : Faire griller du pain ou des aliments peu épais et sans matières grasses.

Grille 4 : Cuisson au four et cuisson au gril sur 2 grilles.

Grille 3 : Panier de friture à l'air, la plupart des aliments cuits au four sur une tôle à biscuits, un moule à muffins ou une tôle à roulés; les gâteaux à étages; la cuisson au gril de morceaux de poulet.

Grille 2 : Tartes, mets en sauce, pain à levure, pains éclair, plats surgelés, et cuisson sur 2 grilles.

Grille 1 : Pour le rôtissage de grands et petits morceaux de viande et de volaille.

Ustensiles de cuisson

L'air chaud doit pouvoir circuler autour de l'aliment pour le cuire uniformément. Laisser 2 po (5 cm) entre les ustensiles de cuisson et les parois du four. S'assurer qu'aucun ustensile de cuisson ne se trouve directement au-dessus d'un autre.

Cuisson sur plusieurs grilles

Deux grilles : Utiliser les positions de grille 2 et 4 ou 2 et 5.

Panier de friture à l'air

Lors de l'utilisation de la fonction friture à l'air, placer le panier de friture à l'air sur plaque à pâtisserie de grande taille. Placer le panier et la plaque au milieu du four pour augmenter la circulation d'air. Éviter d'utiliser plus d'un panier pour éviter la cuisson irrégulière.

Cuisson au four et rôtissage

Préchauffage

Au début d'un programme de cuisson au four (Bake), le four commence par un préchauffage une fois la touche mise en marche enfoncée. Le four atteint 350 °F (177 °C) en 12 à 15 minutes environ lorsque toutes les grilles fournies avec le four sont à l'intérieur de la cavité du four. Pour atteindre une température plus élevée, le préchauffage est plus long. Le programme de préchauffage augmente rapidement la température du four. La température réelle du four dépasse alors la température programmée, pour compenser la chaleur perdue à l'ouverture du four pour y introduire le plat à cuire. Ainsi, le four entame la cuisson à la température correcte après y avoir placé le plat. Placer les aliments au four lorsque le signal sonore de préchauffage retentit. Ne pas ouvrir la porte du four pendant le préchauffage tant que le signal sonore n'a pas retenti.

Température four

En cours d'utilisation, les éléments chauffants du four s'allument et s'éteignent en alternance pour maintenir une température constante, mais leur température peut varier légèrement dans un sens ou dans l'autre du fait de cette alternance. L'ouverture de la porte du four en cours d'utilisation laisse échapper l'air chaud et refroidit le four, ce qui peut modifier la durée nécessaire et le résultat de la cuisson. Pour suivre l'avancement de la cuisson, il est conseillé d'utiliser l'éclairage du four.

REMARQUE : Sur les modèles équipés d'une fonction de convection, le ventilateur de convection peut tourner dans le mode de cuisson sans convection pour améliorer la performance du four.

Le ventilateur de convection s'arrête lorsque la porte est ouverte. Si la porte reste ouverte trop longtemps, les éléments de chauffage s'éteignent jusqu'à ce que la porte du four soit fermée. Toutes les minuteries, y compris la minuterie de cuisson active ou les fonctions de cuisson minutées, poursuivent le compte à rebours.

Le système de contrôle de la température

Le système de contrôle de la température contrôle électroniquement les niveaux de température du four durant le préchauffage et la cuisson afin de maintenir une gamme précise de températures pour des résultats de cuisson optimaux. Les éléments de cuisson au four et au gril ou brûleurs s'allument et s'éteignent par intermittence. Pour les cuisinières à convection, le ventilateur fonctionne pendant le préchauffage et peut s'allumer et s'éteindre par intermittence pendant de courts intervalles dans le mode Bake (cuisson au four) afin de produire un meilleur résultat. Ce comportement est automatique lorsque le four est utilisé.

Avant la cuisson au four et le rôtissage, placer les grilles tel qu'indiqué à la section "Positionnement des grilles et des ustensiles de cuisson au four". Lors du rôtissage, il n'est pas nécessaire d'attendre la fin du préchauffage du four avant d'y placer la nourriture, sauf si la recette le recommande.

Cuisson au gril

REMARQUE : Le ventilateur de convection s'arrête lorsque la porte du four est ouverte. Si le porte du four reste ouverte trop longtemps, les éléments chauffants se ferment jusqu'à ce que la porte soit de nouveau fermée. Toutes les minuteries, incluant les minuteries de cuisson ou les fonctions de cuisson minutée, continuent leur compte à rebours.

Pour la cuisson au gril, préchauffer le four pendant 5 minutes avant d'y placer des aliments, à moins que la recette ne recommande autre chose. Placer l'aliment sur la grille de la lèchefrite, puis placer celle-ci au centre de la grille du four.

IMPORTANT : Fermer la porte pour une température de cuisson au gril adéquate.

Le changement de température lors de la cuisson au gril permet un contrôle plus précis de la cuisson. Plus le réglage du gril est bas, plus la cuisson est lente. Les morceaux épais et de forme irrégulière de viande, de poisson et de volaille cuisent mieux à des réglages de gril plus bas. Utiliser les grilles 4 ou 5 pour la cuisson au gril. Consulter la section "Positionnement des grilles et des ustensiles de cuisson au four" pour plus d'informations.

À des réglages inférieurs, l'élément de cuisson au gril s'allume et s'éteint par intermittence afin de maintenir une température adéquate.

- Pour de meilleurs résultats, utiliser une lèchefrite et une grille. La grille est conçue pour laisser s'écouler les jus et aider à éviter les éclaboussures et la fumée.

Il est possible de commander une lèchefrite. Consulter la section "Accessoires" pour plus d'informations.

REMARQUE : Des odeurs et de la fumée sont normales lorsque le four est utilisé les premières fois, ou lorsqu'il est très sale.

Cuisson au four par convection, rôtissage et friture à l'air

REMARQUE : Le ventilateur de convection s'arrête lorsque la porte du four est ouverte. Si le porte du four reste ouverte trop longtemps, les éléments chauffants se ferment jusqu'à ce que la porte soit de nouveau fermée. Toutes les minuteries, incluant les minuteries de cuisson ou les fonctions de cuisson minutée, continuent leur compte à rebours.

Durant cuisson au four par convection, rôtissage ou friture à l'air, les éléments de cuisson au four et au gril ainsi que les brûleurs s'allument et s'éteignent par intermittence pour maintenir la température du four tandis que le ventilateur fait circuler l'air chaud.

Si la porte du four est ouverte durant la cuisson au four ou le rôtissage par convection, le ventilateur s'éteint immédiatement. Il s'allume à nouveau lorsque la porte du four est fermée.

REMARQUE : Le ventilateur de convection s'allume environ 5 minutes pendant un programme de convection.

Durée de cuisson

Réglage d'une cuisson minutée :

1. Appuyer sur BAKE (cuisson au four). Le témoin de cuisson au four s'allume.
2. Appuyer sur à flèche vers le haut ou vers le bas de Temp/Time (température/durée) pour entrer une température autre que celle qui est affichée.
3. Appuyer sur COOK TIME (durée de cuisson). Le témoin lumineux de la durée de cuisson du four s'allume.
4. Appuyer sur à flèche vers le haut ou vers le bas de Temp/Time (température/durée) pour entrer la durée de cuisson.
5. Appuyer sur mise en marche. L'afficheur présente le compte à rebours de la durée. Lorsque la durée est écoulée, le four s'éteint automatiquement.
6. Appuyer sur la touche annulation pour effacer l'afficheur.

Réglage d'une cuisson minutée différée :

Avant le réglage, s'assurer que l'horloge est réglée à l'heure exacte. Voir la caractéristique de touche horloge dans la section "Guide des caractéristiques".

1. Appuyer sur BAKE (cuisson au four).
2. Appuyer sur les touches à flèche vers le haut ou vers le bas de TEMP/TIME (réglage/arrêt de la minuterie) pour entrer une température autre que la température affichée.
3. Appuyer sur COOK TIME (durée de cuisson). Le témoin lumineux de la durée de cuisson du four s'allume.
4. Appuyer sur les touches à flèche vers le haut ou vers le bas de TEMP/TIME (réglage/arrêt de la minuterie) pour entrer la durée de cuisson.
5. Appuyer sur START TIME (heure de mise en marche). Le témoin lumineux de mise en marche différée du four s'allume.
6. Appuyer sur touches à flèche vers le haut ou vers le bas de TEMP/TIME (réglage/arrêt de la minuterie) pour entrer l'heure de la journée à laquelle la cuisson doit commencer.
7. Appuyer sur la touche mise en marche.

Lorsque l'heure de mise en marche est atteinte, le four s'allume automatiquement. Il est possible de modifier les réglages de température et/ou d'heure de mise en marche à tout moment après avoir appuyé sur la touche mise en marche en répétant les étapes 1 à 7. Lorsque la durée de cuisson réglée s'achève, le four s'éteint automatiquement.

8. Appuyer sur les touches annulation pour effacer l'affichage.

Estufas autónomas a gas Guía de control

GUÍA DE CARACTERÍSTICAS

ADVERTENCIA: A fin de reducir el riesgo de incendio, choque eléctrico o lesiones personales, lea las INSTRUCCIONES IMPORTANTES DE SEGURIDAD que se encuentran en el Manual del propietario, antes de usar el electrodoméstico.

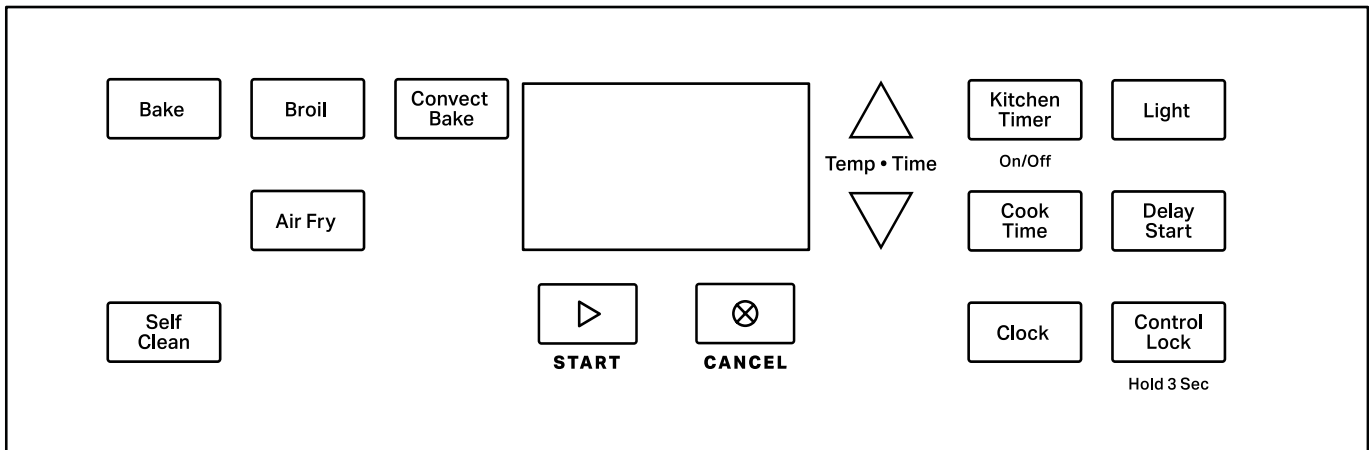
Este manual abarca varios modelos. Su modelo puede contar con algunos o todos los elementos enumerados. Consulte este manual o la sección de Ayuda del producto de nuestro sitio web en www.maytag.com para obtener instrucciones más detalladas. En Canadá, consulte la sección de Ayuda del producto en www.maytag.ca.




⚠ ADVERTENCIA


Peligro de Intoxicación Alimentaria

No deje sus alimentos en el horno por más de una hora antes o después de su cocción.

No seguir esta instrucción puede ocasionar intoxicación alimentaria o enfermedad.



TECLA	CARACTERÍSTICA	INSTRUCCIONES
CLOCK (Reloj) 	Reloj	Este reloj usa un ciclo de 12 horas. <ol style="list-style-type: none"> 1. Verifique que el horno esté apagado. 2. Presione CLOCK (Reloj). 3. Presione la tecla con la flecha hacia arriba o hacia abajo de Temp/Time (Temperatura/ Hora) para fijar la horas. Presione CLOCK (Reloj) para cambiar a minutos. Presione la tecla con la flecha hacia arriba o hacia abajo de Temp/Time (Temperatura/Hora) para fijar los minutos. 4. Presione CLOCK (Reloj) o la tecla inicio.
LIGHT (Luz) 	Luz de la cavidad del horn	Mientras la puerta del horno está cerrada, presione LIGHT (Luz) para encender y apagar la luz. La luz del horno se encenderá cuando se abra la puerta del horno. La luz del horno no se encenderá durante el ciclo de Self-Clean (Autolimpieza).
TIMER SET/OFF (Fijar/ Apagar el temporizador)	Temporizador del horno	El temporizador se puede fijar en horas o minutos, hasta 9 horas y 59 minutos. <ol style="list-style-type: none"> 1. Presione TIMER SET/OFF (Fijar/Apagar el temporizador). 2. Presione la tecla con la flecha hacia arriba o hacia abajo de Temp/Time (Temperatura/ Hora) para fijar la duración del tiempo. 3. Presione la tecla inicio para comenzar la cuenta regresiva. Si se habilitan, los tonos de fin de ciclo sonarán al final de la cuenta regresiva. 4. Presione TIMER SET/OFF (Fijar/Apagar el temporizador) para cancelar el temporizador. No presione la tecla cancelar, ya que se apagará el horno.
Inicio 	Inicio de cocción	La tecla Inicio iniciará cualquier función del horno. Si no se presiona la tecla inicio en menos de 5 segundos, se emitirá un tono. Si no se presiona la tecla inicio en menos de 1 minuto después de haber presionado una tecla, la función se cancelará y la hora del día aparecerá en la pantalla.

TECLA	CARACTERÍSTICA	INSTRUCCIONES
Cancelar 	Función de la estufa	La tecla Cancelar detiene todas las funciones, con excepción del temporizador y el bloqueo de los controles del horno.
TEMP/TIME (Temperatura/ Hora)	Ajuste de la temperatura y de la hora	Las flechas hacia arriba y hacia abajo de Temp/Time (Temperatura/Hora) se utilizan para ajustar la hora y temperatura.
BAKE (Hornear)	Hornear y asar	<ol style="list-style-type: none"> 1. Presione CONVECT BAKE (Hornear por convección). 2. Presione la tecla con la flecha hacia arriba o hacia abajo de Temp/Time (Temperatura/ Hora) hasta alcanzar la temperatura deseada. Se escuchará un tono cuando se alcance la temperatura mínima o máxima. 3. Presione la tecla inicio. 4. Para cambiar la temperatura, repita el paso 2. Presione la tecla inicio. 5. Presione la tecla cancelar cuando haya terminado. <p>NOTA: El ventilador de convección se apagará cuando se abra la puerta del horno. Si la puerta del horno permanece abierta por mucho tiempo, los elementos calentadores no funcionarán hasta que se cierre la puerta del horno. Todos los temporizadores, incluidas las funciones de Cook Time (Tiempo de cocción) y Timed Cook (Cocción programada), continuarán la cuenta regresiva.</p>
CONVECT BAKE (Hornear por convección)	Hornear y asar por convección	<ol style="list-style-type: none"> 1. Presione Convect BAKE (Hornear por convección). 2. Presione la tecla con la flecha hacia arriba o hacia abajo de Temp/Time (Temperatura/ Hora) hasta alcanzar la temperatura deseada. Se escuchará un tono cuando se alcance la temperatura mínima o máxima. 3. Presione la tecla inicio. 4. Para cambiar la temperatura, repita el paso 2. Presione la tecla inicio. 5. Presione la tecla cancelar cuando haya terminado. <p>NOTA: El ventilador de convección se apagará cuando se abra la puerta del horno. Si la puerta del horno permanece abierta por mucho tiempo, los elementos calentadores no funcionarán hasta que se cierre la puerta del horno. Todos los temporizadores, incluidas las funciones de Cook Time (Tiempo de cocción) y Timed Cook (Cocción programada), continuarán la cuenta regresiva.</p>
FROZEN BAKE (Hornear congelados)	Alimentos previamente empaquetados	<ol style="list-style-type: none"> 1. Ubique los alimentos en una rejilla plana del horno en la posición de parrilla 4. Vea la sección "Posición de las parrillas y los utensilios para hornear". NOTA: Cocine un solo paquete de alimentos congelados por vez cuando use la tecnología Frozen Bake™. 2. Presione FROZEN BAKE™ LASAGNA (Hornear lasaña congelada) o PIZZA. 3. Presione la tecla con la flecha hacia arriba o hacia abajo de Temp/Time (Temperatura/ Hora) según lo recomiende el envase del alimento. 4. Presione COOK TIME (Tiempo de cocción). 5. Presione la tecla con la flecha hacia arriba o hacia abajo de Temp/Time (Temperatura/ Hora) para fijar el tiempo de cocción máximo según lo recomiende el envase del alimento. 6. Presione la tecla inicio. La estufa calculará el tiempo de cocción óptimo con base en la temperatura actual del horno. NOTA: El tiempo de cocción que aparece en la pantalla es el tiempo de cocción requerido estimado según lo calcula el control del horno. Puede ser diferente del tiempo que usted haya introducido. Un pitido le indicará que debe revisar si los alimentos están cocidos al menos 2 minutos antes de que se agote el tiempo del temporizador. Siga las indicaciones que aparecen en la pantalla para seleccionar más tiempo si lo desea. 7. Presione la tecla inicio para iniciar el tiempo calculado. 8. Al finalizar el tiempo de cocción, un pitido le indicará que debe revisar si los alimentos están cocidos. Siga las indicaciones que aparecen en la pantalla para seleccionar más tiempo si lo desea. A menos que se seleccione más tiempo, el elemento de hornear se apaga. NOTA : Si se presiona la tecla cancelar se sale del ciclo de Frozen Bake™ (Hornear congelados). 9. Presione la tecla cancelar cuando haya terminado. NOTA: El ventilador de convección se apagará cuando se abra la puerta del horno. Si la puerta del horno permanece abierta por mucho tiempo, los elementos calentadores no funcionarán hasta que se cierre la puerta del horno. Todos los temporizadores, incluidas las funciones de Cook Time (Tiempo de cocción) y Timed Cook (Cocción programada), continuarán la cuenta regresiva.

TECLA	CARACTERÍSTICA	INSTRUCCIONES
BROIL (Asar a la parrilla)	Asar a la parrilla	<ol style="list-style-type: none"> 1. Presione BROIL (Asar a la parrilla). 2. Presione la tecla con la flecha hacia arriba o hacia abajo de Temp/Time (Temperatura/ Hora) hasta alcanzar la temperatura deseada. Se escuchará un tono cuando se alcance la temperatura mínima o máxima. 3. Presione la tecla inicio. 4. Precaliente el horno durante cinco minutos antes de colocar los alimentos, a menos que se recomiende otra cosa en la receta. Coloque los utensilios de cocción dentro del horno y cierre la puerta del mismo. 5. Para cambiar la temperatura, repita el paso 2 y presione la tecla inicio. 6. Presione la tecla cancelar cuando haya terminado. <p>NOTA: El ventilador de convección se apagará cuando se abra la puerta del horno. Si la puerta del horno permanece abierta por mucho tiempo, los elementos calentadores no funcionarán hasta que se cierre la puerta del horno. Todos los temporizadores, incluidas las funciones de Cook Time (Tiempo de cocción) y Timed Cook (Cocción programada), continuarán la cuenta regresiva.</p>
AIR FRY (Freído sin aceite)	Freído sin aceite	<ol style="list-style-type: none"> 1. Presione AIR FRY (Freído sin aceite). 2. Presione la tecla con la flecha hacia arriba o hacia abajo de Temp/Time (Temperatura/Hora) hasta alcanzar la temperatura deseada. Se escuchará un tono cuando se alcance la temperatura mínima o máxima. 3. Presione la tecla inicio. 4. Para cambiar la temperatura, repita el paso 2. Presione la tecla inicio. 5. Presione la tecla cancelar cuando haya terminado. <p>NOTA: El ventilador de convección se apagará cuando se abra la puerta del horno. Si la puerta del horno permanece abierta por mucho tiempo, los elementos calentadores no funcionarán hasta que se cierre la puerta del horno. Todos los temporizadores, incluidas las funciones de Cook Time (Tiempo de cocción) y Timed Cook (Cocción programada), continuarán la cuenta regresiva.</p>
DELAY START (Inicio diferido)	Inicio diferido	<p>Delay Start (Inicio diferido) se utiliza para ingresar la hora en la que se va a iniciar una función del horno con un inicio diferido. El inicio diferido no debe usarse para alimentos como panes y pasteles, ya que es posible que no se horneen como es debido.</p> <p>Para fijar Timed Cook (Cocción programada) o Delayed Timed Cook (Cocción programada diferida), vea la sección "Tiempo de cocción".</p>
COOK TIME (Tiempo de cocción)	Cocción programada	<p>Cook Time (Tiempo de cocción) permite que el horno se fije para encenderse a una determinada hora del día, cueza durante un tiempo fijo y/o se apague automáticamente.</p> <p>Para fijar Timed Cook (Cocción programada) o Delayed Timed Cook (Cocción programada diferida), vea la sección "Tiempo de cocción".</p>
CLEAN (Limpieza) (en algunos modelos)	Ciclo de autolimpieza	<p>Vea la sección "Ciclo de autolimpieza" en el Manual del propietario.</p>
CONTROL LOCK hold 3 sec. to lock (Bloqueo de control sostenga por 3 seg. para bloquear)	Bloqueo de controles del horno	<ol style="list-style-type: none"> 1. Verifique que el horno y la superficie de cocción estén apagadas. 2. Mantenga presionada CONTROL LOCK (Hold 3 sec) (Bloqueo del control [mantenga presionado 3 s]) durante 3 segundos. 3. Sonará un tono y aparecerá un candado en la pantalla. 4. Repita para desbloquear. Cuando los controles estén bloqueados, no funcionará ningún botón.

Temperaturas de la superficie

Cuando la estufa está en uso, todas las superficies pueden calentarse, incluidas las perillas y la puerta del horno.

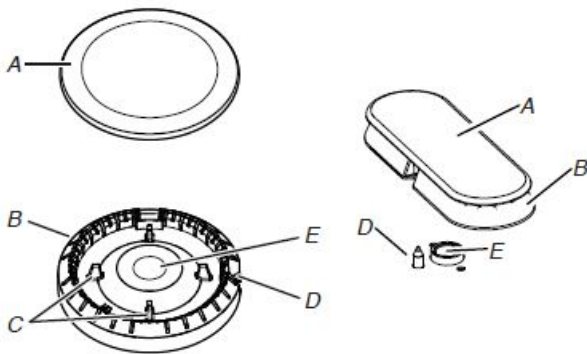
Cajón de calentamiento o almacenamiento

Cuando el horno está funcionando, es posible que el cajón se caliente. No guarde en el cajón objetos de plástico, tela u otros artículos que podrían derretirse o quemarse.

Ventilación del horno

La ventilación del horno libera aire caliente y humedad del horno y no debe bloquearse ni taparse. No coloque objetos de plástico, papel u otros artículos que podrían derretirse o quemarse cerca de la ventilación del horno.

Quemadores de superficie sellados



A. Tapa del quemador D. Encendedor
B. Base del quemador E. Abertura del tubo de gas
C. Espigas de alineación

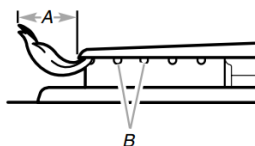
NOTA: La base del quemador ovalada está unida permanentemente a la tapa del quemador.

IMPORTANTE: No obstruya el flujo de aire de combustión y ventilación alrededor de los bordes de las rejillas de los quemadores.

Tapa del quemador: Siempre mantenga la tapa del quemador en su lugar cuando use un quemador de la superficie. Una tapa del quemador limpia ayudará a prevenir el encendido deficiente y las llamas desparejas. Siempre limpie la tapa del quemador después de un derrame; quite y limpie periódicamente las tapas según la sección "Limpieza general".

Alineamiento: Asegúrese de alinear la abertura del tubo de gas en la base del quemador con el soporte de orificio en la superficie de cocción y el electrodo encendedor con la muesca en la base del quemador.

Apertura del tubo de gas: Debe haber flujo libre de gas a través de la abertura del tubo de gas para que el quemador se encienda como es debido. Mantenga esa zona libre de suciedad y no permita que ingresen derrames, comida, agentes de limpieza ni otros materiales a la abertura del tubo de gas. Para mantener los derrames lejos de la abertura del tubo de gas, siempre use una tapa para el quemador.



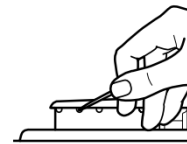
A. 1 a 1 1/2" (2,5 a 3,8 cm) B. Orificios de los quemadores

Orificios de los quemadores: Revise las llamas de los quemadores ocasionalmente para verificar que tengan el tamaño y la forma adecuados, como se muestra en la ilustración anterior. Una buena llama es de color azul, no amarillo. Mantenga esa zona libre de suciedad y no deje que ingresen derrames, alimentos, agentes de limpieza ni otros materiales en los orificios de los quemadores.

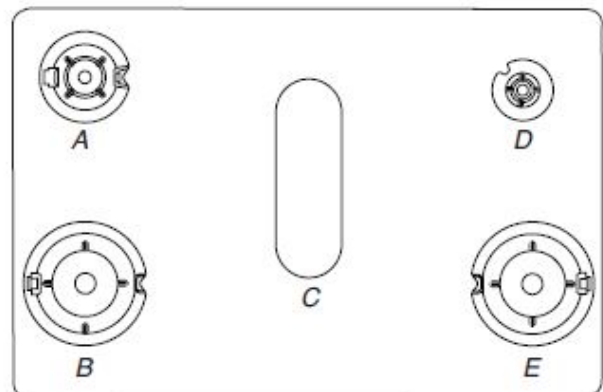
Para limpiar:

IMPORTANTE: Antes de limpiar, asegúrese de que todos los controles estén apagados y que la superficie de cocción esté fría. No use limpiadores para horno, blanqueador ni productos para quitar óxido. No lave en la lavavajillas.

1. Retire la tapa del quemador y la base del quemador y limpie como se indica en la sección "Limpieza general".
2. Limpie la abertura del tubo de gas con un paño húmedo.
3. Limpie los orificios del quemador obstruidos con un alfiler recto, como se muestra. No agrande ni deforme el orificio. No use un palillo de dientes de madera. Si se debe regular el quemador, póngase en contacto con un especialista en reparaciones capacitado.

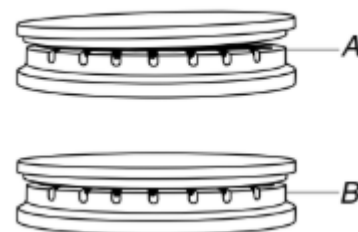


4. Vuelva a colocar la base del quemador. La base de cada quemador redondo está marcada con una letra que indica el tamaño del quemador. Vea la ilustración siguiente para las posiciones de los quemadores.



A. Mediana (Semirápido) D. Pequeña (Auxiliar)
B. Grande (Ultrarápido) E. Grande (Ultrarápido)
C. Oval (Ovalado)

5. Vuelva a colocar la tapa del quemador y asegúrese de que las espigas de alineamiento estén debidamente alineadas con la tapa del quemador.



A. Incorrect
B. Correct

6. Coloque las tapas de los quemadores sobre las bases de los quemadores apropiados.

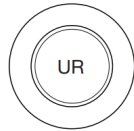
IMPORTANTE: Las bases de las tapas pequeñas y medianas son distintas. No coloque una tapa de quemador equivocada sobre la base del quemador.



Tapa pequeña
(Auxiliar)



Tapa mediana
(Semirápido)



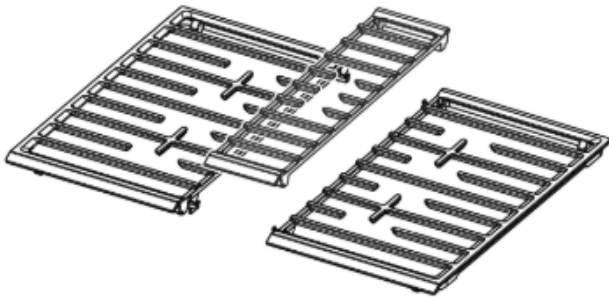
Tapa grande
(Ultrarápido)

7. Encienda el quemador. Si el quemador no se enciende, verifique la alineación de la tapa. Si el quemador todavía no se enciende, ciérrelo. No intente reparar el quemador por su cuenta. Póngase en contacto con un especialista en reparaciones capacitado.

Rejillas

Models WFG525, WFG550, and WFG535

Las rejillas de esta estufa cubren el ancho completo de la superficie de cocción. Las tres rejillas se entrelazan con el gancho que se forma en ellas. El extremo plano de la rejilla central cae en los ganchos de las otras, como se muestra en la ilustración a continuación.



Para instalar las rejillas, ubique la rejilla que tiene escrito con relieve "Left (Izquierda)" en el lado izquierdo de la superficie de cocción. Ubique la rejilla que tiene escrito con relieve "Right (Derecha)" en el lado derecho de la superficie de cocción. Ubique la rejilla central al final, como se muestra en la ilustración anterior.

Utensilios de cocina

IMPORTANTE: No deje un utensilio de cocina vacío sobre una superficie, área de cocción, elemento o quemador de superficie calientes

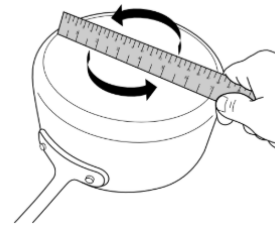
El utensilio de cocina ideal deberá tener un fondo plano, lados rectos, una tapa que encaje bien, y el material debe ser de un grosor mediano a pesado.

Los acabados ásperos pueden rayar la superficie de cocción o las bobinas/rejillas. El aluminio y el cobre pueden usarse como centro o base del utensilio de cocina. Sin embargo, cuando se usen como base pueden dejar marcas permanentes en las superficies.

El material de los utensilios de cocina es un factor que influye en la rapidez y la uniformidad con la que se trasmite el calor, lo que afecta los resultados de la cocción. Un acabado antiadherente tiene las mismas características que su material de base. Por ejemplo, un utensilio de cocina de aluminio con acabado antiadherente tendrá las propiedades del aluminio.

No deben usarse utensilios de cocina con superficies antiadherentes debajo del asador.

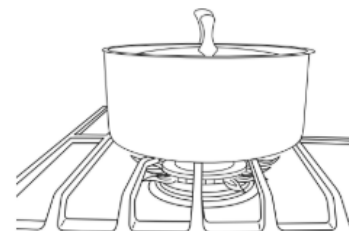
Verifique si está plano colocando el borde derecho de una regla a lo largo del fondo del utensilio de cocina. Mientras rota la regla, no debe verse espacio ni luz entre la regla y el utensilio de cocina.



Utilice la siguiente tabla como guía para ver las características de los materiales de los utensilios de cocina.

UTENSILIO DE COCINA	CARACTERÍSTICAS
Aluminio	<ul style="list-style-type: none"> Se calienta de manera rápida y uniforme. Sirve para todos los tipos de cocción. Es mejor que sea de espesor mediano o grueso para la mayoría de las funciones de cocción.
Hierro fundido	<ul style="list-style-type: none"> Se calienta de manera lenta y uniforme. Es bueno para dorar y freír. Mantiene el calor para una cocción lenta.
Cerámica o vidrio de cerámica	<ul style="list-style-type: none"> Siga las instrucciones del fabricante. Se calienta de manera lenta pero no uniforme. Da los mejores resultados en los ajustes de calor bajo a medio.
Cobre	<ul style="list-style-type: none"> Se calienta de manera muy rápida y uniforme Podría dejar restos de cobre, los cuales disminuirán si se limpia inmediatamente después de la cocción.
Barro cocido	<ul style="list-style-type: none"> Siga las instrucciones del fabricante Use en los ajustes de calor bajo.
Acero o hierro fundido con recubrimiento de esmalte de porcelana	<ul style="list-style-type: none"> Vea acero inoxidable o hierro fundido.
Acero inoxidable	<ul style="list-style-type: none"> Se calienta de manera rápida pero no uniforme. Un centro o base de aluminio o cobre sobre acero inoxidable proporciona un calor uniforme.

Para obtener los mejores resultados, el recipiente de cocción deberá estar centrado encima del quemador con la base nivelada sobre la rejilla. Deberá regularse la llama para que no se extienda por los lados del recipiente.



Envasado casero

Al preparar envasados durante períodos prolongados, alterne el uso de los quemadores de superficie entre cada lote. Esto le da tiempo a que se enfríen las áreas que se han usado recientemente.

- Centre el recipiente para envasado sobre la rejilla, encima del quemador.
- No coloque el recipiente para envasado sobre 2 quemadores de superficie a la vez.
- Para obtener más información, póngase en contacto con la oficina local de extensión del departamento de agricultura o consulte guías publicadas para envasado casero. También pueden ofrecer ayuda las compañías que fabrican productos para envasado casero

USO DEL HORNO

Durante el funcionamiento normal de la estufa pueden escucharse varios ruidos cada vez que se encienden los quemadores para hornear o asar a la parrilla durante el ciclo de cocción:

- Es posible que las válvulas de gas hagan un sonido de estallido cuando se abran o se cierren
- Los encendedores harán un chasquido varias veces hasta que se detecte una llama
- Se escucha un sonido de “puf” cuando se enciende el quemador de hornear o el de asar a la parrilla.

Los olores y el humo son normales cuando el horno se use las primeras veces o cuando tenga mucha suciedad.

IMPORTANTE: La salud de algunas aves es sumamente sensible a los gases emanados. La exposición a los gases puede ocasionar la muerte de ciertas aves. Traslade siempre las aves a otro cuarto cerrado y bien ventilado.

NOTA: El ventilador de convección se apagará cuando se abra la puerta del horno. Si la puerta del horno permanece abierta por mucho tiempo, los elementos calentadores no funcionarán hasta que se cierre la puerta del horno. Todos los temporizadores, incluidas las funciones de Cook Time (Tiempo de cocción) y Timed Cook (Cocción programada), continuarán la cuenta regresiva.

Controles electrónicos del horno

Pantalla del control

La pantalla destellará cuando se encienda o después de un corte de corriente. Presione CANCEL (Cancelar) para despejarla. Cuando el horno no está en uso se muestra la hora del día.

Fahrenheit y Celsius

La temperatura está prefijada en Fahrenheit, pero puede cambiarse a Celsius.

Para cambiar: Mantenga presionada la flecha abajo de TIMER (temporizador) durante 5 segundos. Aparecerá “°F” o “°C” en la pantalla. Repita para volver al ajuste anterior.

Presione la tecla cancelar para salir del modo.

Tonos del teclado

Permite activar o apagar los tonos que suenan al presionarse una tecla.

Para cambiar: Mantenga presionada LIGHT (luz) durante 5 segundos. Repita para volver al ajuste anterior.

Presione la tecla cancelar para salir del modo.

Modo de demostración

IMPORTANTE: Esta característica está destinada al uso en el salón de ventas con una conexión eléctrica de 120 V y permite demostrar las características de control sin que se enciendan los elementos calentadores. Si se activa esta característica, el horno no funcionará.

Para cambiar: Presione la tecla Cancel (Cancelar), use el flecha hacia arriba o hacia abajo de Temp/Time, y TIMER SET/OFF (Fijar/ Apagar el temporizador). Repita para regresar al ajuste anterior y terminar el modo de demostración.

Tonos

Los tonos son señales audibles que indican lo siguiente:

Un tono

- Presión de tecla válida
- El horno está precalentado (tono largo)
- Se ha ingresado una función.
- Señal recordatoria, se repite cada minuto después de los tonos de fin de ciclo.

Tres tonos

- Presión de tecla no válida

Cuatro tonos

- Fin del ciclo

On some models: Use the Clock/Tools keypad to change the tone settings.

Control de compensación de la temperatura del horno

IMPORTANTE: No use un termómetro para medir la temperatura del horno. Los elementos se encenderán y se apagarán según sea necesario para brindar una temperatura uniforme, pero es posible que funcione en algún momento ligeramente caliente o frío a causa de este ciclo. La mayoría de los termómetros son lentos para reaccionar a los cambios de temperatura y no brindarán una lectura precisa a causa de este ciclo.

El horno proporciona temperaturas exactas; sin embargo, es posible que cocine más rápido o más despacio que su horno anterior, de manera que se puede ajustar la temperatura para adecuarla a sus necesidades de cocción. Puede cambiarse a Fahrenheit o a Celsius.

Para ajustar la temperatura del horno:

1. Mantenga presionada la flecha hacia arriba de Temp/Time por 5 segundos hasta que la pantalla del horno muestre el ajuste actual, por ejemplo “0 ° F CAL” o “00”.
2. Presione la flecha “arriba” o “abajo” para aumentar o disminuir la temperatura 5 °F (3 °C). El ajuste puede fijarse entre 30 °F (18 °C) y -30 °F (-18 °C).
3. Presione la tecla inicio.

Modo Sabbath

El modo Sabbath (Día de descanso) fija el horno para que permanezca encendido con un ajuste para hornear hasta que se apague. También puede programarse el modo Timed Bake (horneado programado) para mantener el horno encendido solo durante una parte del día de descanso. La característica de Oven Control Lockout (bloqueo de los controles del horno) (si está presente) se desactiva durante el modo Sabbath. Después de fijar el modo Sabbath (modo de día de descanso), no sonará ningún tono, la pantalla no mostrará la temperatura, el modo Kitchen Timer (Temporizador de cocina) se cancelará (si estuviera activado) y solo funcionarán las teclas siguientes:

- Las fechas hacia arriba o hacia abajo de Temp/Time
- La tecla cancelar

Cuando se abra o se cierre la puerta del horno, la luz no se encenderá ni apagará y los elementos calentadores no se encenderán ni apagaran de inmediato.

Cuando se restablezca la energía después de un corte de corriente, el horno se volverá a fijar en el modo Sabbath (Día de descanso) y funcionará con las características de dicho modo, con los elementos de horneado apagados, hasta que se presione el botón de Cancel (Anulación).

Al presionar la tecla Cancel (Cancelar) en cualquier momento, el horno vuelve al modo de cocción normal (sin cumplir con las características del modo Sabbath o modo de descanso).

Antes de ingresar al modo Sabbath (día de descanso), se debe decidir si la luz del horno estará encendida o apagada durante todo el período del modo Sabbath. Si la luz está encendida en el momento de ingresar al modo Sabbath, permanecerá encendida durante todo el tiempo que dicho modo permanezca activado. Si la luz está apagada en el momento de ingresar al modo Sabbath, permanecerá apagada durante todo el tiempo que dicho modo permanezca activado. El abrir la puerta o presionar la tecla luz del horno no afectará la luz del horno una vez que se active el modo Sabbath (modo de día de descanso).

En el día festivo, la temperatura puede cambiarse una vez que el horno esté en modo Sabbath (modo de día de descanso) presionando las fechas "hacia arriba" o "hacia abajo" de Temp/Time. La temperatura del horno cambiará en 25 °F (14 °C) cada vez que se presione el botón. La pantalla no cambiará y no habrán sonidos durante este ajuste.

Para hornear usando el modo Sabbath (día de descanso):

1. Presione BAKE (Hornear).
2. Para cambiar la temperatura, presione las teclas con las flechas hacia arriba o hacia abajo de Temp/Time (Temperatura/ Hora).
3. Presione la tecla inicio.
4. Mantenga presionada TIMER SET/OFF (Fijar/Apagar el temporizador) durante 5 segundos. Destellará "SAb" en la pantalla.
5. Presione inicio mientras "SAb" está destellando para ingresar al modo Sabbath (día de descanso); de lo contrario, se cancelará el ciclo completo. "SAb" dejará de destellar y permanecerá encendido en la pantalla. El horno está ahora en el modo Sabbath y cumplirá las características del Sabbath religioso.

Al presionar la tecla Cancel (Cancelar) en cualquier momento, el horno vuelve al modo de cocción normal (sin cumplir con las características del modo Sabbath o modo de descanso).

Para fijar Timed Bake (Horneado programado) utilizando el modo Sabbath (Día de descanso) (en algunos modelos):

1. Presione BAKE (Hornear).
2. Presione las flechas "hacia arriba" o "hacia abajo" de Temp/Time (Temperatura/hora) para ingresar una temperatura distinta de la que muestra la pantalla.
3. Presione COOK TIME (tiempo de cocción). Se encenderá la luz indicadora de Cook Time (Tiempo de Cocción).

4. Presione las flechas "hacia arriba" o "hacia abajo" de Temp/Time para ingresar la duración del tiempo de cocción.
5. Presione la tecla inicio.
6. Mantenga presionada TIMER SET/OFF (Fijar/Apagar el temporizador) durante 5 segundos. Destellará "SAb" en la pantalla.
7. Presione inicio mientras "SAb" está destellando para ingresar al modo Sabbath (día de descanso); de lo contrario, se cancelará el ciclo completo. "SAb" dejará de destellar y permanecerá encendido en la pantalla. El horno está ahora en el modo Sabbath y cumplirá las características del Sabbath religioso. Se encenderán las luces de Bake (horneado), On (encendido) y Cook Time (tiempo de cocción).

Cuando termine el tiempo programado de cocción, el horno se apagará automáticamente y las luces indicadoras se apagaran, lo que indica el fin del ciclo.

Al presionar la tecla Cancel (Cancelar) en cualquier momento, el horno vuelve al modo de cocción normal (sin cumplir con las características del modo Sabbath o modo de descanso).

Para fijar Delayed Timed Bake (Horneado programado diferido) utilizando el modo Sabbath (Día de descanso) (en algunos modelos):

1. Presione BAKE (Hornear).
2. Presione las flechas "hacia arriba" o "hacia abajo" de Temp/Time (Temperatura/hora) para ingresar una temperatura distinta de la que muestra la pantalla.
3. Presione COOK TIME (tiempo de cocción). Se encenderá la luz indicadora de Cook Time (Tiempo de Cocción).
4. Presione las flechas "hacia arriba" o "hacia abajo" de Temp/Time para ingresar la duración del tiempo de cocción.
5. Presione DELAY START (Inicio diferido). Se encenderá la luz indicadora de Delay.
6. Presione las teclas numéricas para ingresar la duración del tiempo de cocción.
7. Presione la tecla inicio.
8. Mantenga presionada TIMER SET/OFF (apagar temporizador) durante 5 segundos. Destellará "SAb" en la pantalla.
9. Presione la tecla inicio por 5 segundos para ingresar al modo Sabbath (Día de descanso); de lo contrario, se cancelará el ciclo completo. "SAb" dejará de destellar y permanecerá encendido en la pantalla. El horno está ahora en el modo Sabbath y cumplirá las características del Sabbath religioso. Se encienden las luces indicadoras de On (encendido) y Delay (retraso).

Al cumplirse la hora de inicio, las luces indicadoras de Bake (horneado), On (encendido) y Cook Time (tiempo de cocción) se encenderán automáticamente. Cuando termine el tiempo programado de cocción, el horno se apagará automáticamente y las luces indicadoras se apagaran, lo que indica el fin del ciclo.

Al presionar la tecla Cancel (Cancelar) en cualquier momento, el horno vuelve al modo de cocción normal (sin cumplir con las características del modo Sabbath o modo de descanso).

Mantener caliente

NOTA: El ventilador de convección se apagará cuando se abra la puerta del horno. Si la puerta del horno permanece abierta por mucho tiempo, los elementos calentadores no funcionarán hasta que se cierre la puerta del horno. Todos los temporizadores, incluidas las funciones de Cook Time (Tiempo de cocción) y Timed Cook (Cocción programada), continuarán la cuenta regresiva.

IMPORTANTE: Los alimentos deberán estar a la temperatura para ser servidos antes de colocarlos en el horno calentado. Se pueden mantener hasta 1 hora; sin embargo, los panes y estofados se pueden secar mucho si se dejan en el horno con la función Keep Warm (mantenimiento caliente). Para obtener resultados óptimos, cubra los alimentos.

La característica de Keep Warm (mantenimiento caliente) permite mantener los alimentos cocinados a una temperatura lista para servirse.

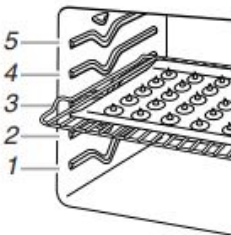
Forma de uso:

1. Presione KEEP WARM (Tibia).
2. Presione las flechas hacia arriba o hacia abajo de Temp/Time (temperatura/hora) hasta alcanzar la temperatura deseada. Se emite un sonido cuando se alcanza la temperatura mínima o máxima.
3. Presione la tecla inicio.
4. Coloque ahora el alimento en el horno.
5. Presione CANCEL (Cancelar) cuando haya terminado.

NOTA: La temperatura puede cambiarse en cualquier momento, presionando la tecla de Temp/Time (Temperatura/ Tiempo) de "+" o "-" para ingresar la temperatura deseada y, luego, presionando START (Inicio).

Colocación de las parrillas y los utensilios para hornear

Utilice la siguiente ilustración como guía.



Posiciones de la parrilla

Parrilla 5: Para tostar pan o asar alimentos de poco grosor y sin grasa.

Parrilla 4: parrilla doble para hornear y asar.

Parrilla 3: Canasta para freír sin aceite, la mayoría de los alimentos horneados en bandeja para galletas, bandeja para panecillos o bandeja para galletas con lados y pasteles en capas; asado de pollo troceado.

Parrilla 2: Pasteles, guisos, pan con levadura, panes rápidos, alimentos precocidos congelados y horneado en dos parrillas.

Parrilla 1: Asado de cortes grandes y pequeños de carne y aves.

Utensilios para hornear

Para una cocción uniforme del alimento, el aire caliente debe poder circular. Deje 2" (5 cm) libres alrededor del utensilio para hornear y las paredes del horno. Asegúrese de que ningún utensilio para hornear esté directamente encima de otro.

Cocción en varias parrillas

Dos parrillas: Use las posiciones de parrilla 2 y 4 o 2 y 5.

Canasta para freír sin aceite

Cuando se usa la función Freído sin aceite, coloque la canasta en la parte superior de una hoja para hornear. Coloque la canasta y la hoja en la parte media del horno para incrementar el flujo y la circulación del aire. Evite usar más de una canasta para evitar que los alimentos se cocinen de forma dispereja.

Cómo hornear y asar

Precaentamiento

Cuando comience un ciclo de horneado, horneado por convección o asado por convección, el horno comenzará a precalentarse luego de presionar el botón Start (Inicio). El horno tomará 12 a 15 minutos aproximadamente para alcanzar la temperatura de 350 °F (177 °C) con todas las parrillas del horno instaladas dentro de la cavidad de éste. Cuanto mayor es la temperatura, mayor tiempo tomará precalentar el horno. El ciclo de precalentamiento aumenta rápidamente la temperatura del horno. La temperatura actual del horno estará por encima de la temperatura fijada para compensar la pérdida de calor cuando se abra la puerta del horno para introducir el alimento. Esto asegura que el horno estará en la temperatura adecuada cuando coloque el alimento en el horno. Introduzca el alimento cuando suene el tono de precalentamiento. No abra la puerta durante el precalentamiento antes de que suene el tono.

Temperatura del horno

Mientras esté en uso, los elementos del horno se encenderán y se apagará según sea necesario para mantener una temperatura constante, pero es posible que funcione en algún momento ligeramente caliente o frío a causa de este ciclo. Si se abre la puerta del horno mientras se encuentra en uso, saldrá el aire caliente y el horno se enfriará, lo que podría afectar el tiempo y el rendimiento de la cocción. Se recomienda usar la luz del horno para controlar el progreso de cocción.

NOTA: En los modelos con convección, el ventilador de convección puede funcionar en el modo de horneado sin convección para mejorar el rendimiento del horno.

El ventilador de convección se apagará cuando se abra la puerta del horno. Si la puerta del horno permanece abierta por mucho tiempo, los elementos calentadores no funcionarán hasta que se cierre la puerta del horno. Todos los temporizadores, incluidas las funciones de Cook Time (Tiempo de cocción) y Timed Cook (Cocción programada), continuarán la cuenta regresiva.

Sistema de control de temperatura

El sistema de control de temperatura regula electrónicamente los niveles de calor del horno durante el precalentamiento y el horneado para mantener una temperatura precisa y obtener resultados de cocción óptimos. Los elementos o quemadores de hornear y asar a la parrilla tendrán ciclos con encendido y apagado a intervalos. En los modelos de estufa con convección, el ventilador funcionará durante el precalentamiento y es posible que se encienda y apague durante intervalos breves durante el horneado para producir resultados óptimos. Esta característica se activa automáticamente cuando el horno está en uso.

Antes de hornear o asar, coloque las parrillas según la sección "Posición de las parrillas y los utensilios para hornear". Al asar, no es necesario esperar a que termine el ciclo de precalentamiento del horno antes de colocar los alimentos, a menos que la receta de cocina lo recomiende.

Asar a la parrilla

NOTA: El ventilador de convección se apagará cuando se abra la puerta del horno. Si la puerta del horno permanece abierta por mucho tiempo, los elementos calentadores no funcionarán hasta que se cierre la puerta del horno. Todos los temporizadores, incluidas las funciones de Cook Time (Tiempo de cocción) y Timed Cook (Cocción programada), continuarán la cuenta regresiva.

Cuando ase a la parrilla, precaliente el horno durante 5 minutos antes de colocar los alimentos, a menos que se recomiende otra cosa en la receta. Coloque el alimento sobre la parrilla, en una charola para asar, después colóquelo en el centro de la parrilla del horno.

IMPORTANTE: Cierre la puerta para asegurar la temperatura adecuada para asar.

Para obtener un control más preciso al cocinar, cambie la temperatura mientras esté asando. Cuanto más bajo sea el ajuste de asar a la parrilla, más lenta será la cocción. Los cortes más gruesos y las piezas de carne, pescado y aves con forma irregular se pueden cocinar mejor con ajustes para asar a la parrilla más bajos. Use las parrillas 4 o 5 para asar a la parrilla. Consulte la sección "Posición de las parrillas y los utensilios para hornear" para obtener más información.

En los ajustes inferiores, el elemento para asar a la parrilla se encenderá y se apagará para mantener la temperatura adecuada.

■ Para obtener resultados óptimos, utilice una charola para asar con rejilla, que está diseñada para drenar jugos y ayudar a evitar salpicaduras y humo.

Si desea comprar una charola para asar, puede hacer un pedido. Para obtener más información, vea la sección "Accesorios".

NOTA: Es normal que haya olores y humo cuando el horno se use las primeras veces o si tiene mucha suciedad.

Hornear por convección, asar y freído sin aceite

NOTA: El ventilador de convección se apagará cuando se abra la puerta del horno. Si la puerta del horno permanece abierta por mucho tiempo, los elementos calentadores no funcionarán hasta que se cierre la puerta del horno. Todos los temporizadores, incluidas las funciones de Cook Time (Tiempo de cocción) y Timed Cook (Cocción programada), continuarán la cuenta regresiva.

Durante hornear por convección, asar o freído sin aceite, los elementos o quemadores de horneado y asado se encienden y se apagan en intervalos durante el horneado y el asado por convección, para mantener la temperatura del horno, mientras el ventilador hace que el aire caliente circule.

Si se abre la puerta del horno durante el horneado o el asado por convección, el ventilador se apagará inmediatamente. Se encenderá nuevamente cuando se cierre la puerta del horno.

NOTA: El ventilador de convección se encenderá aproximadamente a los 5 minutos de cualquier ciclo de convección.

Tiempo de cocción

Para fijar un tiempo de cocción:

1. Presione la tecla para cualquier función de cocción.
2. Presione las flechas hacia arriba o hacia abajo de Temp/Time para ingresar una temperatura diferente de la que aparece en la pantalla.
3. Presione COOK TIME (Tiempo de cocción) para el horno seleccionado.
4. Presione las flechas hacia arriba o hacia abajo de Temp/Time para ingresar la duración del tiempo de cocción.
5. Presione la tecla inicio. El temporizador iniciará la cuenta regresiva del tiempo de cocción una vez que el horno haya terminado de precalentarse. Cuando finalice el tiempo, el horno se apagará automáticamente.
6. Presione la tecla cancelar para el horno seleccionado y se borrará la pantalla.

Para ajustar un tiempo de cocción y tiempo de detención:

Esta función no está disponible para el horneado por convección y el asado por convección si se usa la función de conversión de tiempo y temperatura para convección.

1. Presione la tecla para cualquier función de cocción.
2. Presione las flechas hacia arriba o hacia abajo de Temp/Time para ingresar una temperatura diferente de la que aparece en la pantalla.
3. Presione COOK TIME (Tiempo de cocción) para el horno seleccionado.
4. Presione las flechas hacia arriba o hacia abajo de Temp/Time para ingresar la duración del tiempo de cocción.
5. Presione DELAY START (inicio diferido) para el horno seleccionado. Se enciende la luz indicadora de Delay (retraso).
6. Presione las flechas hacia arriba o hacia abajo de Temp/Time para ingresar la hora del día en que se detendrá la cocción.
7. Presione la tecla inicio.

El horno se encenderá automáticamente cuando haya alcanzado la hora de inicio. Para cambiar los ajustes de la temperatura y/o el tiempo en cualquier momento una vez que el horno está encendido, repita los pasos 2 a 4. Para cancelar el tiempo de retraso actual e ingresar un tiempo de retraso distinto, presione cancelar y repita los pasos 1 a 7. Cuando termine el tiempo de cocción fijado, el horno se apagará automáticamente.

8. Presione la tecla cancelar para el horno seleccionado y se borrará la pantalla.