

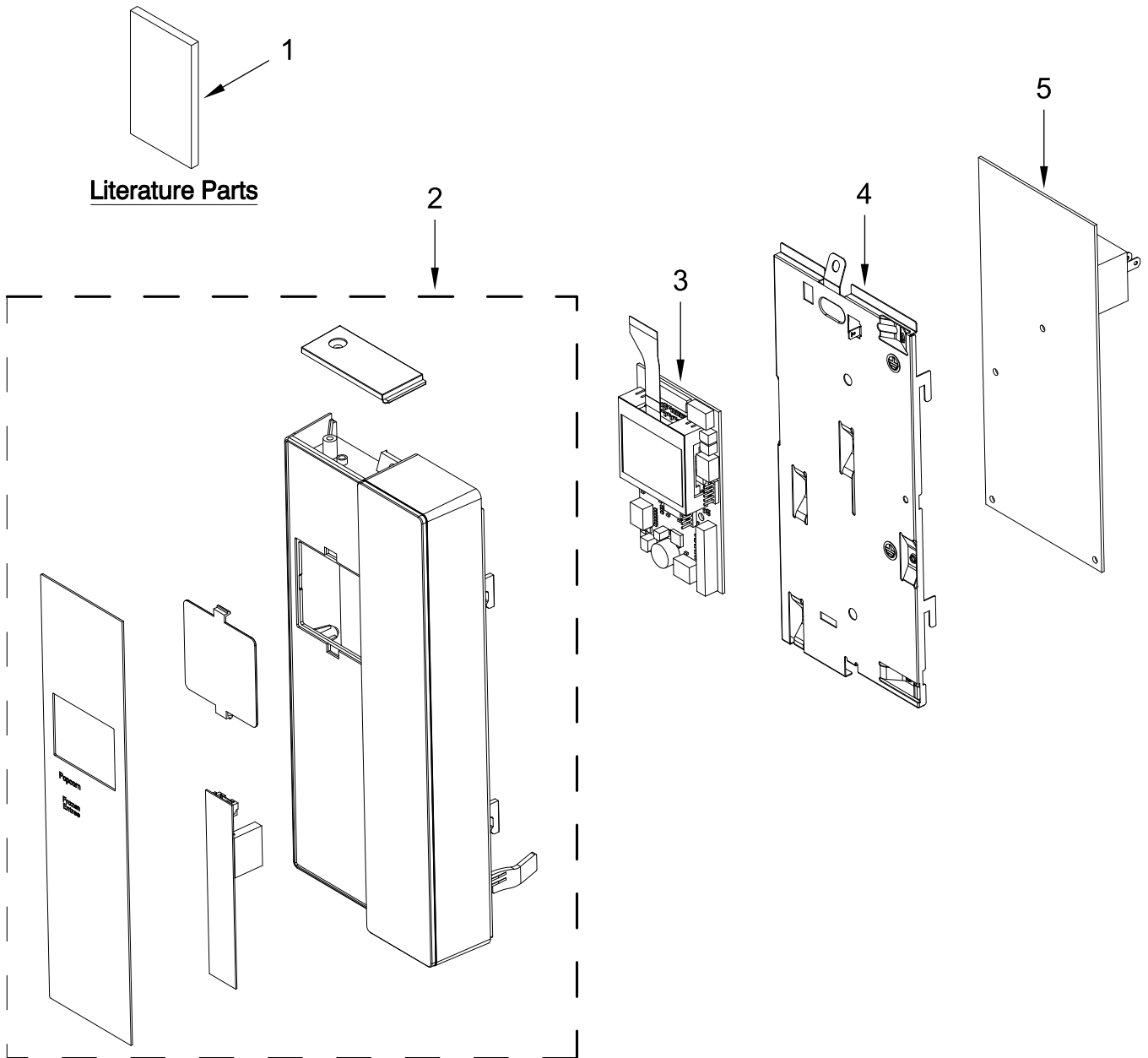


**1.1 CUBIC FOOT BUILT IN MICROWAVE
(Standard Trim Kit)**

MODELS:

WMT55511KS02 (Stainless)

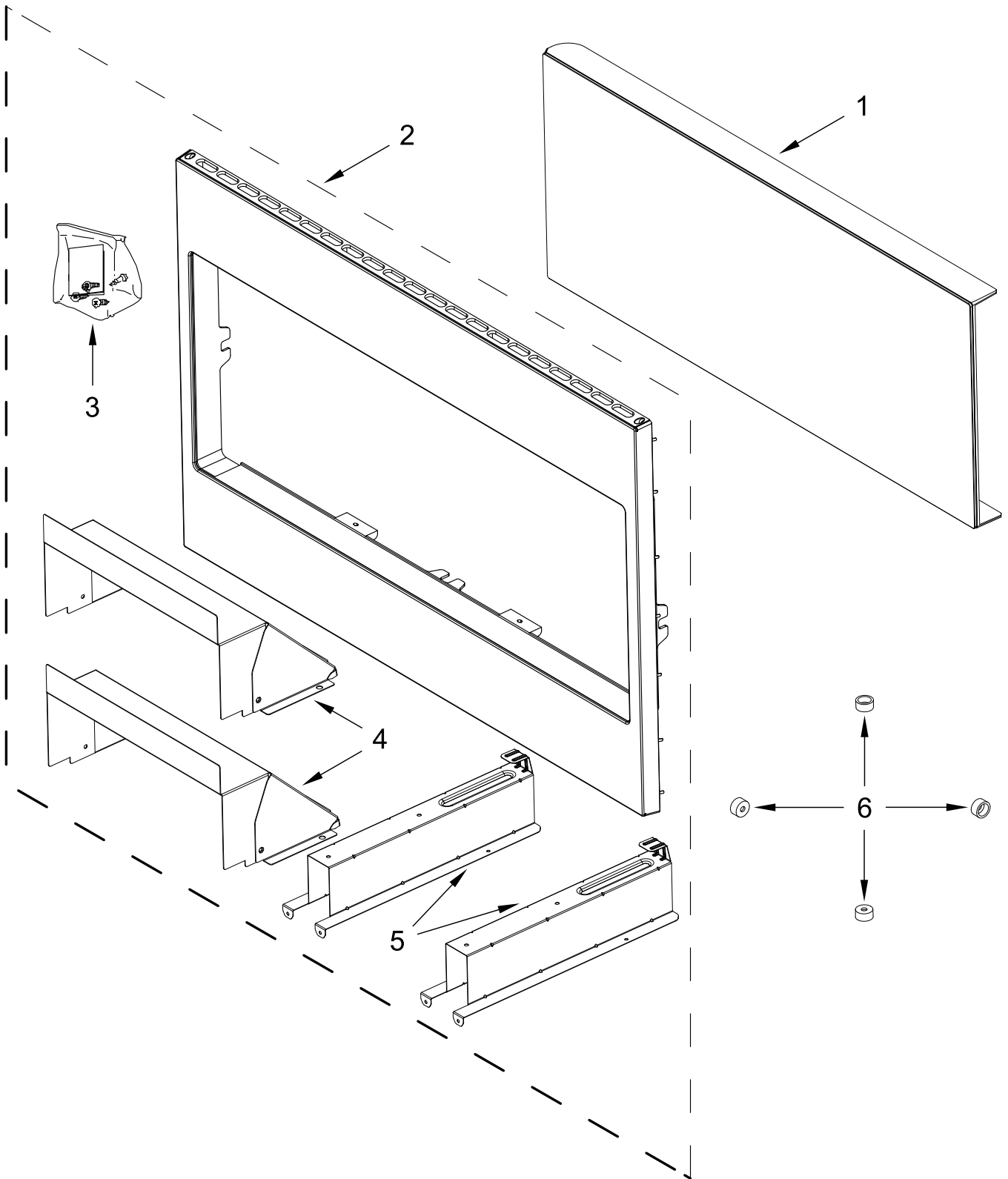
CONTROL PANEL PARTS



CONTROL PANEL PARTS

<u>Illus.</u> <u>No.</u>	<u>Part No.</u>	<u>Description</u>	<u>Illus.</u> <u>No.</u>	<u>Part No.</u>	<u>Description</u>
1		Literature Parts	3	W11398542	PCBA, User Interface
	W11412752	Installation Instructions	4	W11083284	Backer, Control
	W11412755	Owner's Manual	5	W11398532	PCBA, Appliance Control Unit
	W11415591	Tech Sheet			
2		Panel, Control			
	W11453236	Black			

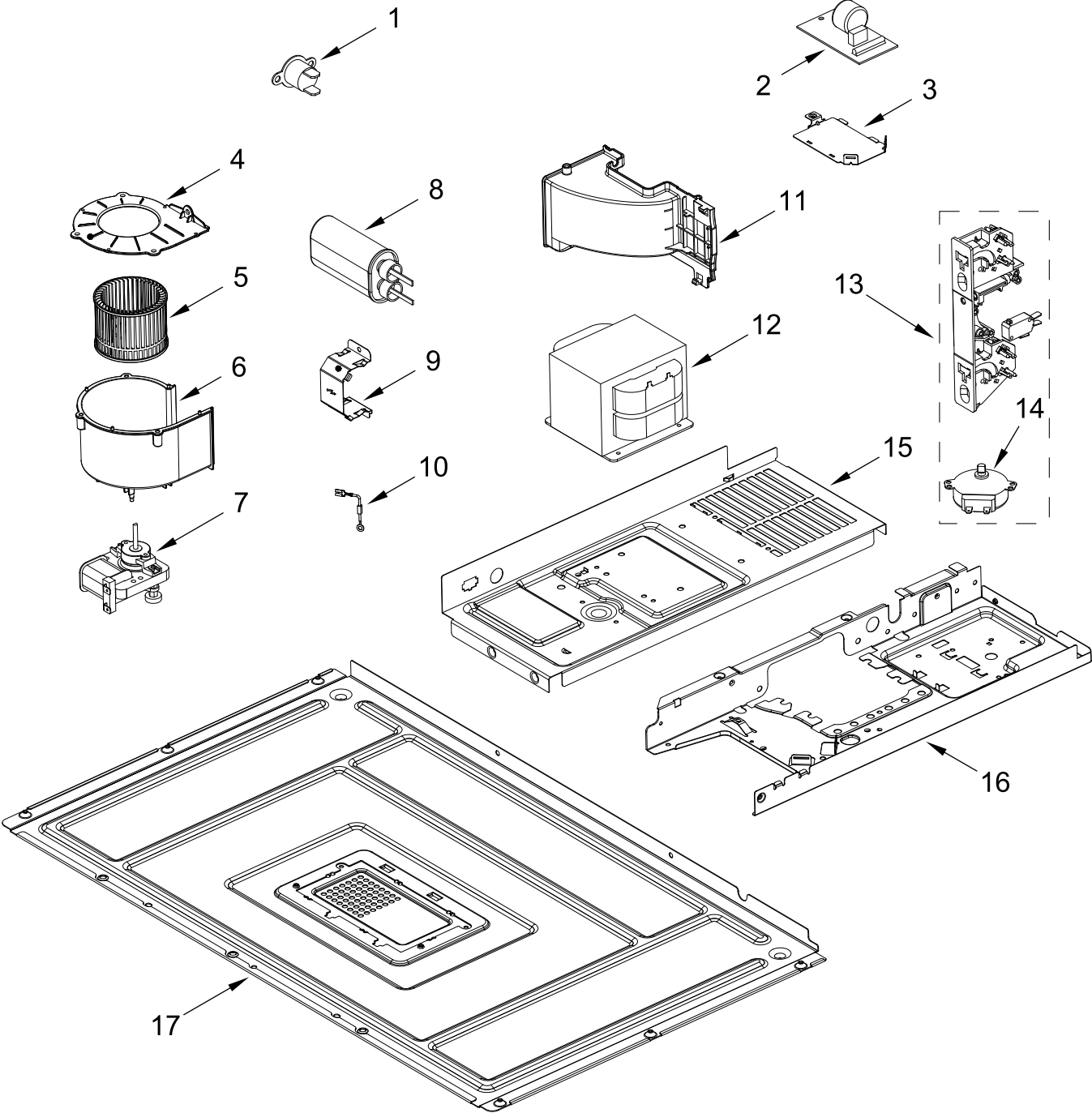
DOOR AND TRIM PARTS



DOOR AND TRIM PARTS

<u>Illus.</u> <u>No.</u>	<u>Part No.</u>	<u>Description</u>	<u>Illus.</u> <u>No.</u>	<u>Part No.</u>	<u>Description</u>
1		Door, Complete	3	W11393537	Hardware, Installation
	W11453237	Black	4	W11454891	Cooling Duct, Standard
2	W11435431	Trim Kit, Standard	5	W11454889	Mounting Rail, Standard
	W11435432	Trim Kit, Standard with Cut-Out	6	W11409101	Pin, Locating
		NOTE : For Store Displays			

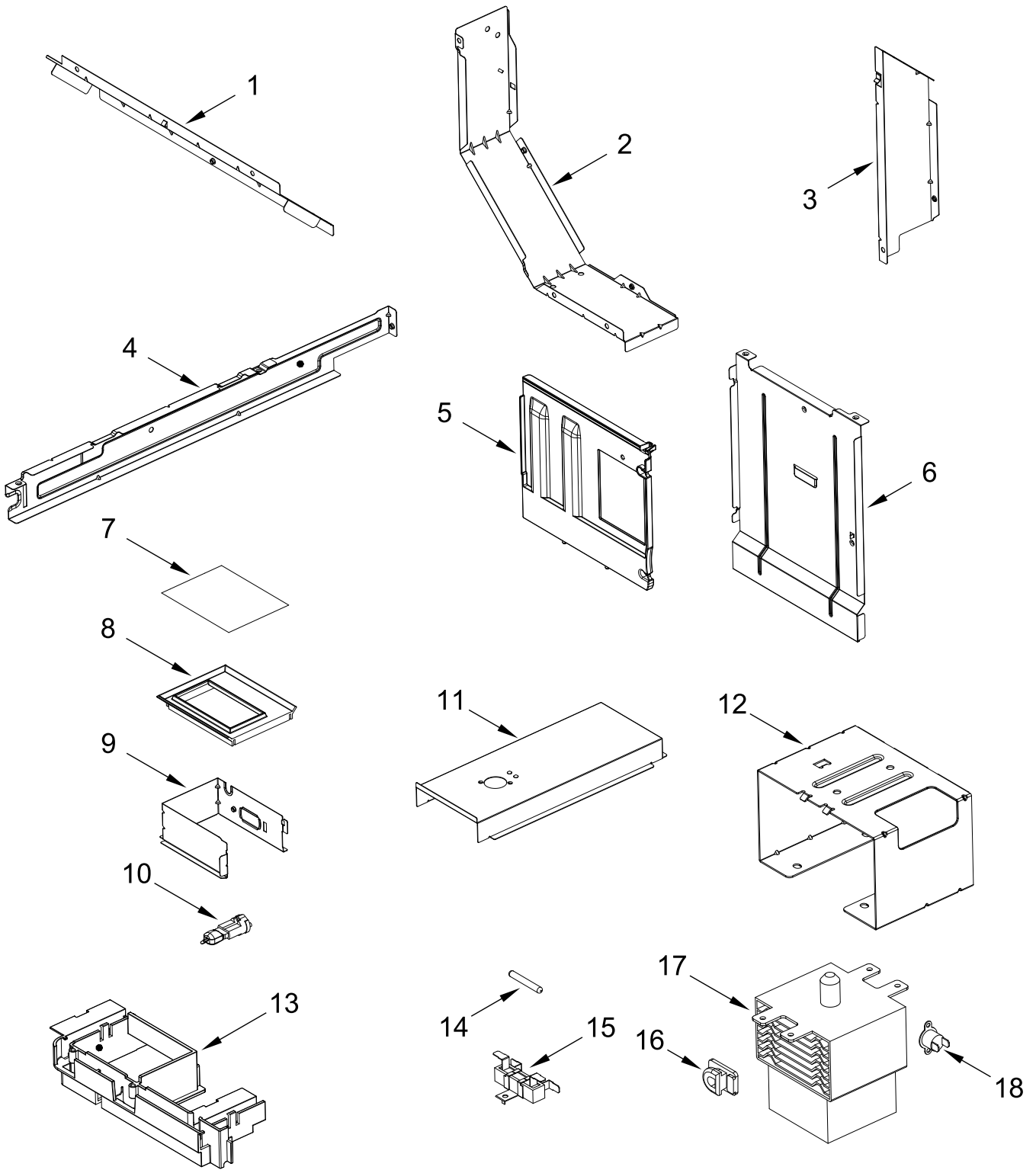
INTERIOR AND VENTILATION PARTS



INTERIOR AND VENTILATION PARTS

<u>Illus.</u> <u>No.</u>	<u>Part No.</u>	<u>Description</u>	<u>Illus.</u> <u>No.</u>	<u>Part No.</u>	<u>Description</u>	<u>Illus.</u> <u>No.</u>	<u>Part No.</u>	<u>Description</u>
1	W11378281	Thermostat, Cavity	8	W11196080	Capacitor, High Voltage	13	W11479930	Assembly, Interlock (Includes Switches)
2	W11425905	Board, Noise Filter	9	W11095808	Bracket, Capacitor	14	W11511670	Motor, Door Eject
3	W10313274	Bracket, Noise Filter	10	W10492278	Diode, High Voltage	15	W11164809	Chassis, Transformer
4	W11088345	Cover, Cooling Fan	11	W11088358	Air Guide, Magnetron	16	W11440761	Plate, Chassis
5	W11088354	Wheel, Cooling Fan	12	W11334531	Transformer, High Voltage	17	W11449943	Plate, Bottom
6	W11088352	Housing, Cooling Fan						
7	W11490447	Motor, Cooling Fan						

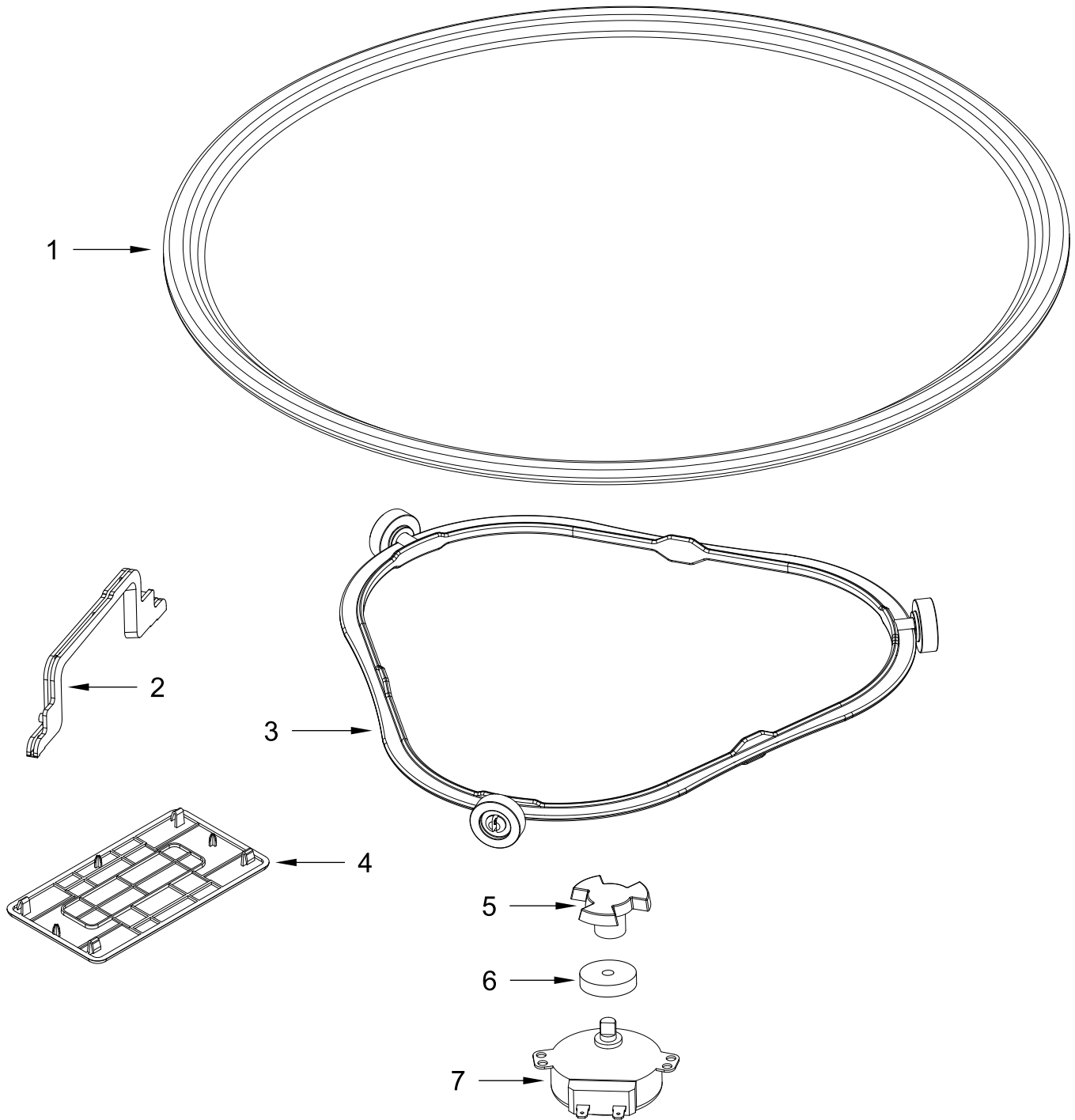
AIR FLOW PARTS



AIR FLOW PARTS

<u>Illus.</u> <u>No.</u>	<u>Part No.</u>	<u>Description</u>	<u>Illus.</u> <u>No.</u>	<u>Part No.</u>	<u>Description</u>	<u>Illus.</u> <u>No.</u>	<u>Part No.</u>	<u>Description</u>
1	W11095828	Channel, Hood Back	7	W11186948	Foil, Lamp	13	W11099491	Holder, Wire
2	W11095827	Air Deflector, Right	8	W11405836	Seal, Lighting	14	W10138793	Fuse
3	W11412771	Deflector, Left Back	9	W11086300	Housing, Cavity Lighting	15	W10245194	Holder, Fuse
4	W11095814	Divider, Air	10	W11409090	Lamp, Halogen	16	W11126543	Seal, Rubber
5	W11095794	Deflector, Cooling Fan	11	W11108230	Outlet, Cavity (Back)	17	W11334527	Magnetron
6	W11095804	Hood Deflector, Right	12	W11323215	Housing, Tranformer	18	W11378280	Thermostat, Magnetron

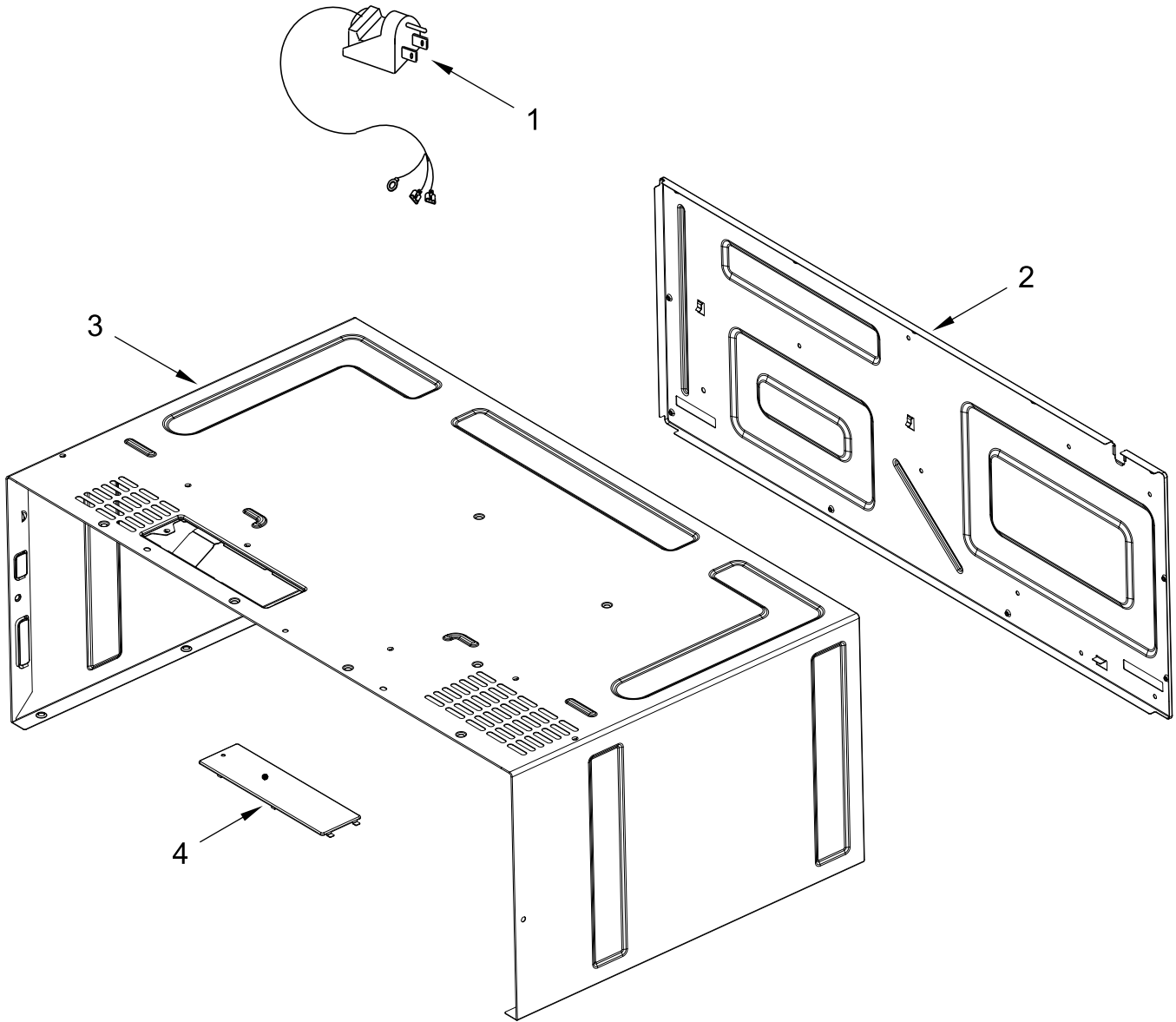
TURNTABLE PARTS



TURNTABLE PARTS

<u>Illus.</u> <u>No.</u>	<u>Part No.</u>	<u>Description</u>	<u>Illus.</u> <u>No.</u>	<u>Part No.</u>	<u>Description</u>	<u>Illus.</u> <u>No.</u>	<u>Part No.</u>	<u>Description</u>
1	W11401221	Turntable	3	W11387723	Ring, Turntable	6	8184109	Seal, Waterproof
2	W11126541	Seal, Waveguide	4	W11421280	Cover, Waveguide	7	W10466420	Motor, Turntable
			5	W11387721	Driver, Turntable			

CABINET AND INSTALLATION PARTS



CABINET AND INSTALLATION PARTS

<u>Illus.</u> <u>No.</u>	<u>Part No.</u>	<u>Description</u>
1	W11371784	Cord, Power
2	W11404834	Plate, Back
3		Case, Outer
	W11415175	Black
4		Cover, Vent (Long)
	W11095767	Stainless
		FOLLOWING PARTS NOT ILLUSTRATED
	W11364729	Harness, Main
	W11266688	Harness, User Interface
	W11187937	Harness, PCBA Ground Wire
	W11479911	Harness, Door Motor Signal
	W11483619	Holder, Lamp