



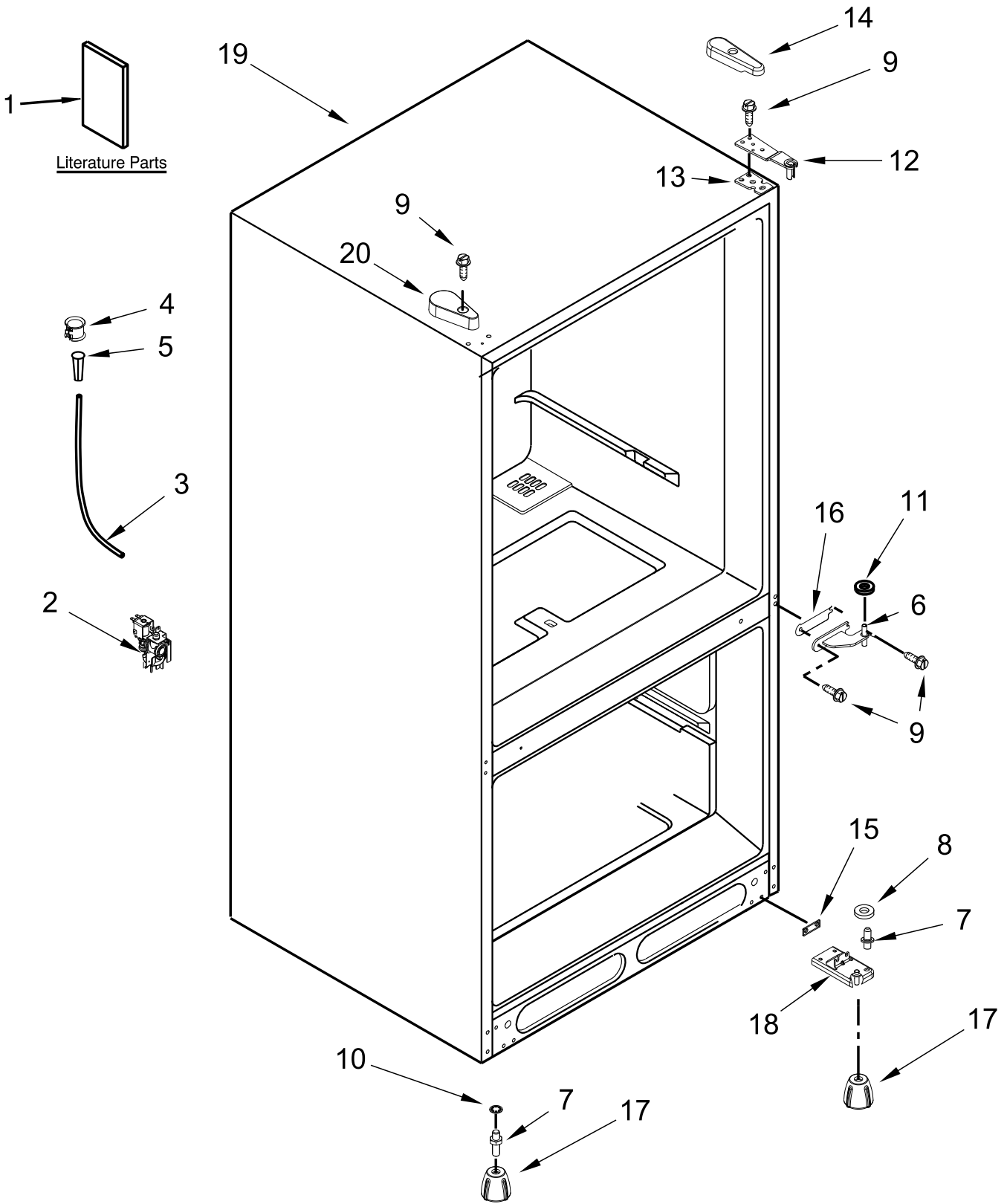
## **BOTTOM MOUNT REFRIGERATOR**

### **MODELS:**

WRB543CMJV00 (Black Stainless)

WRB543CMJZ00 (Saturn)

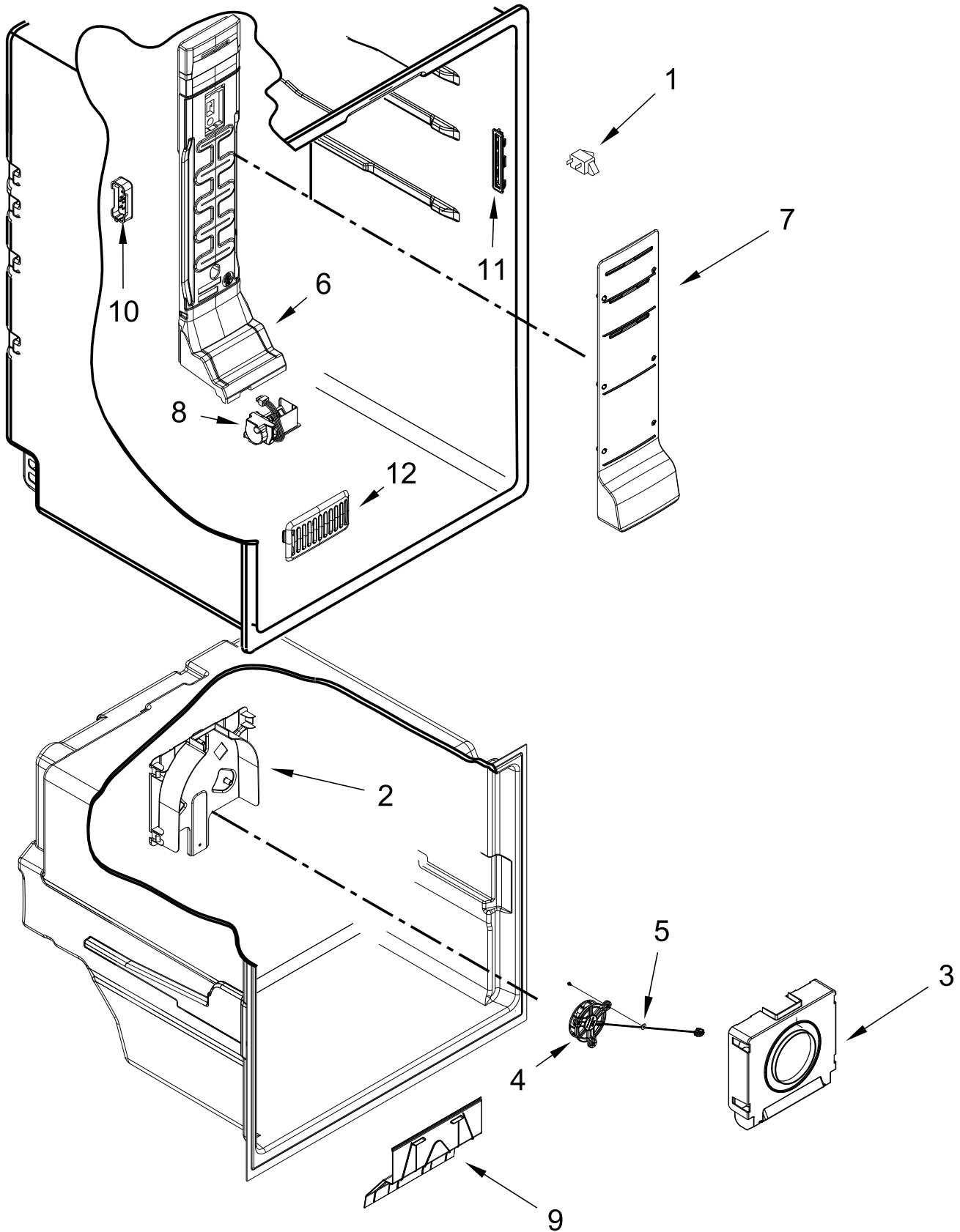
# CABINET PARTS



# CABINET PARTS

<u>Illus. No.</u>	<u>Part No.</u>	<u>Description</u>	<u>Illus. No.</u>	<u>Part No.</u>	<u>Description</u>	<u>Illus. No.</u>	<u>Part No.</u>	<u>Description</u>
1		Literature Parts	9	489497	Screw	17	W11176400	Leg, Leveler
	W11449055	Use and Care Guide	10	R-30039	Screw, Leveler	18	W11217747	Assembly, Bottom Hinge
	W11429021	Energy Guide	11	487576	Washer, Plastic	19		Cabinet (Not a Serviceable Part)
2	W10498976	Valve, Inlet	12	W11191773	Assembly, Top Hinge	20		Cover, Connector Box
3	W10837812	Tube, Water	13	W10399311	Shim, Top Hinge			
4	W10329003	Clamp, Tube	14		Hinge Cover			
5	2181939	Insert, Tube		W11467697	Black		W11266887	Black
6	W11173998	Hinge, Center		W11467696	Grey		W11266885	Grey
7	W11183254	Pin, Hinge (Bottom)	15	W10919908	Shim, Bottom Hinge			
8	489341	Washer, Plastic	16	W11175787	Shim, Center Hinge			

# LINER PARTS



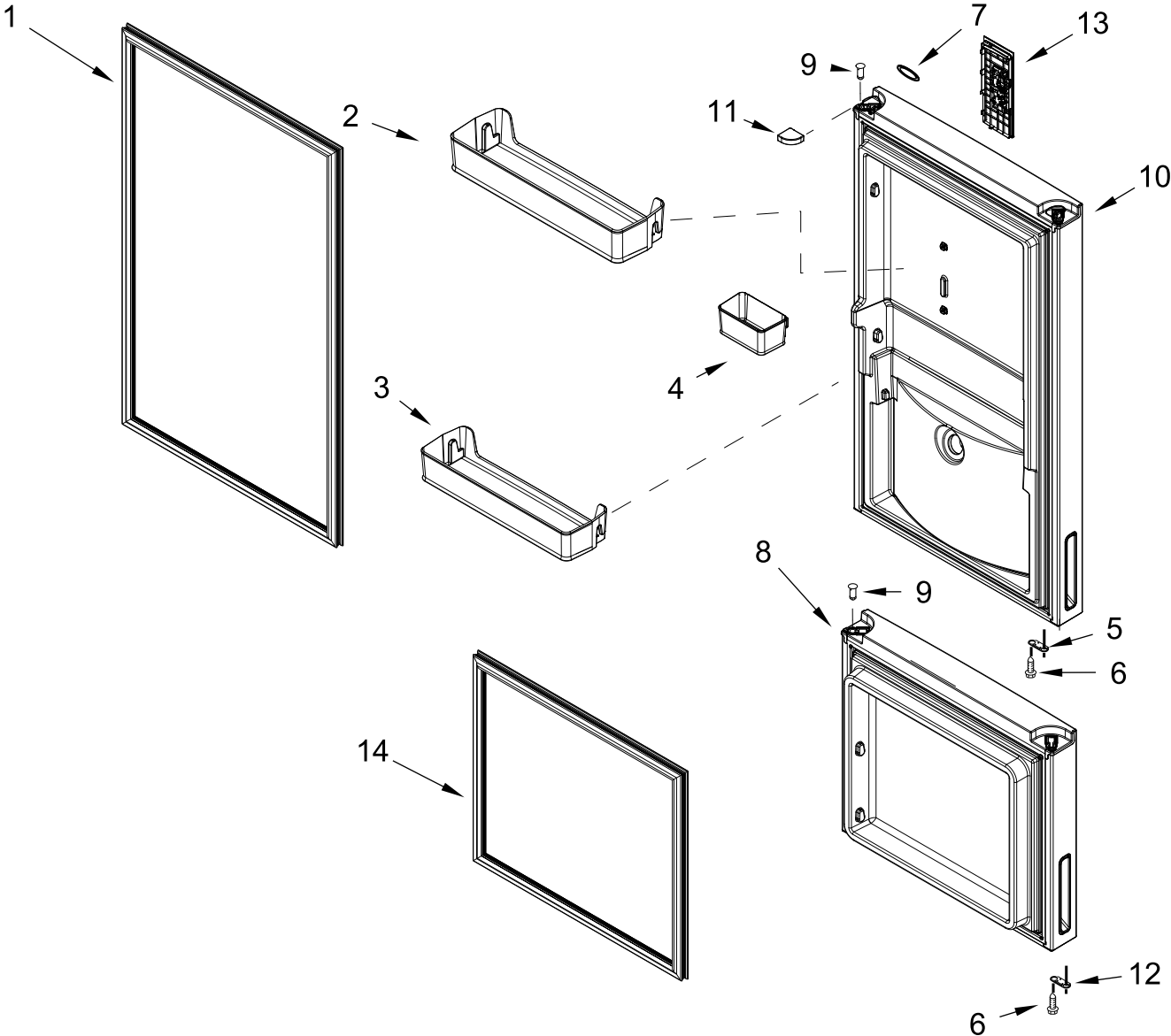
# LINER PARTS

<u>Illus.</u> <u>No.</u>	<u>Part No.</u>	<u>Description</u>
1	W10847853	Switch, Light
2	W11261264	Fan Motor Back Support
3	W11261353	Fan Motor Front Cover
4	W11212031	Assembly, Fan Motor
5	489468	Washer

<u>Illus.</u> <u>No.</u>	<u>Part No.</u>	<u>Description</u>
6	W11300985	Multiflow, Main
7	W11207474	Multiflow, Cover
8	W10745484	Damper, Electronic Control
9	W11259784	Multiflow, Freezer
10	W10425252	Cover, Thermistor

<u>Illus.</u> <u>No.</u>	<u>Part No.</u>	<u>Description</u>
11	W10883842	Light Strip, Assembly
12	W11207475	Front Grill, Air Duct

# DOOR PARTS

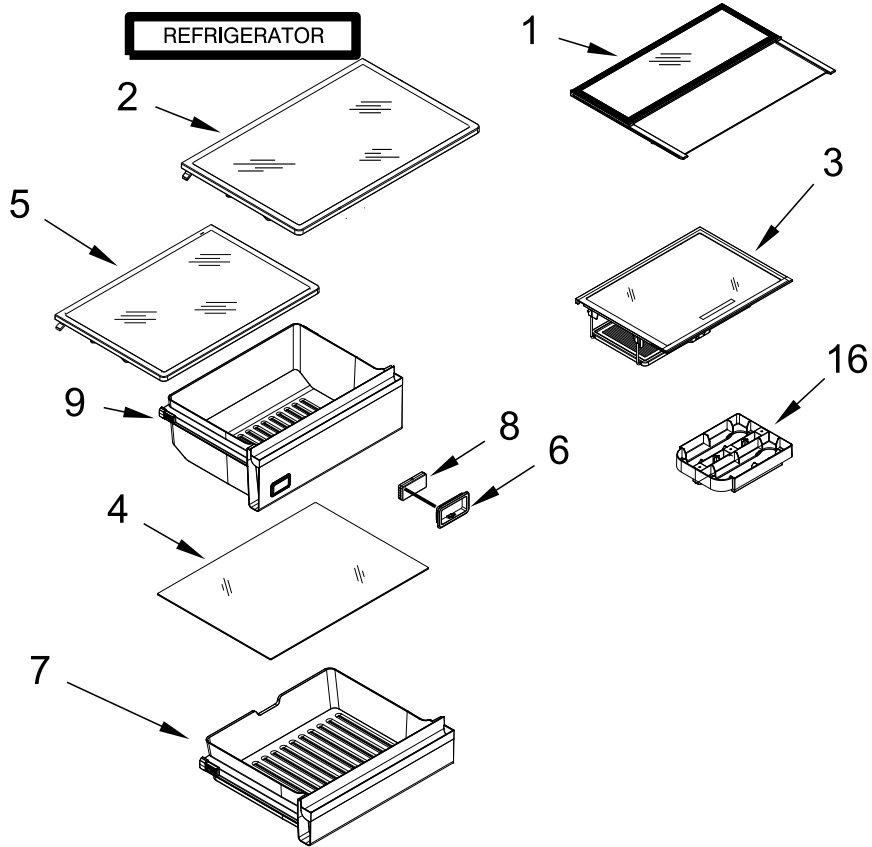


# DOOR PARTS

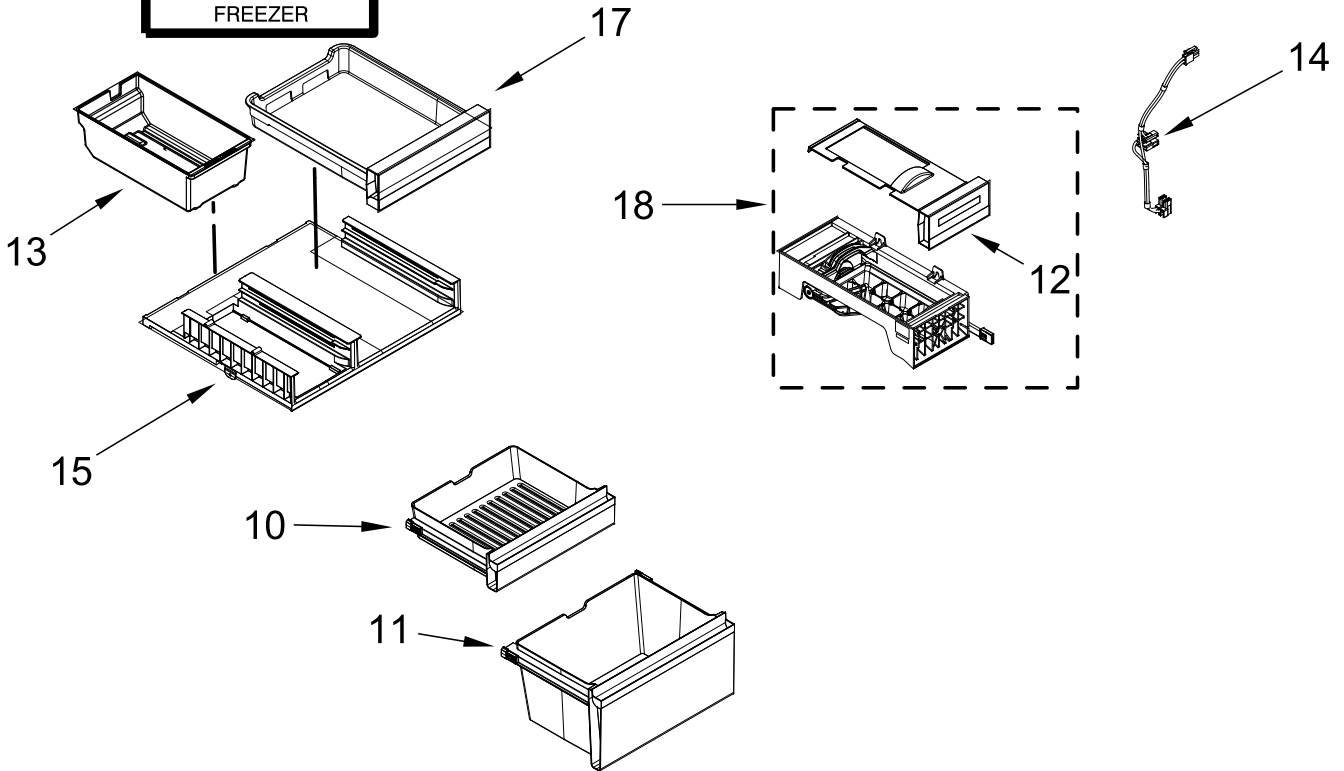
<u>Illus.</u> <u>No.</u>	<u>Part No.</u>	<u>Description</u>	<u>Illus.</u> <u>No.</u>	<u>Part No.</u>	<u>Description</u>	<u>Illus.</u> <u>No.</u>	<u>Part No.</u>	<u>Description</u>
1		Gasket, Refrigerator Door	9		Thimble, Top	13	W11448792	UI Assembly
	W11239027	Black		W10334042	Black	14		Gasket, Freezer Door
	W11250322	Grey		W11289190	Gray		W11239030	Black
2	W11291426	Bin, Bottle	10		Door, Refrigerator		W11250321	Grey
3	W11247889	Door Bin, Refrigerator		W11309071	Black			
4	W11247503	Compartment, Half Bin		W11315317	Saturn			
5	2189202	Bracket, Door Stop	11		Endcap			
6	489276	Screw			Left Hand			
7	W10884775	Badge		W11246847	Black			
8		Door, Freezer		W11246818	Grey			
	W11308346	Black			Right Hand			
	W11315310	Saturn		W11246854	Black			
			12	W10397055	Bracket, Door Stop			

# SHELF PARTS

## REFRIGERATOR



## FREEZER





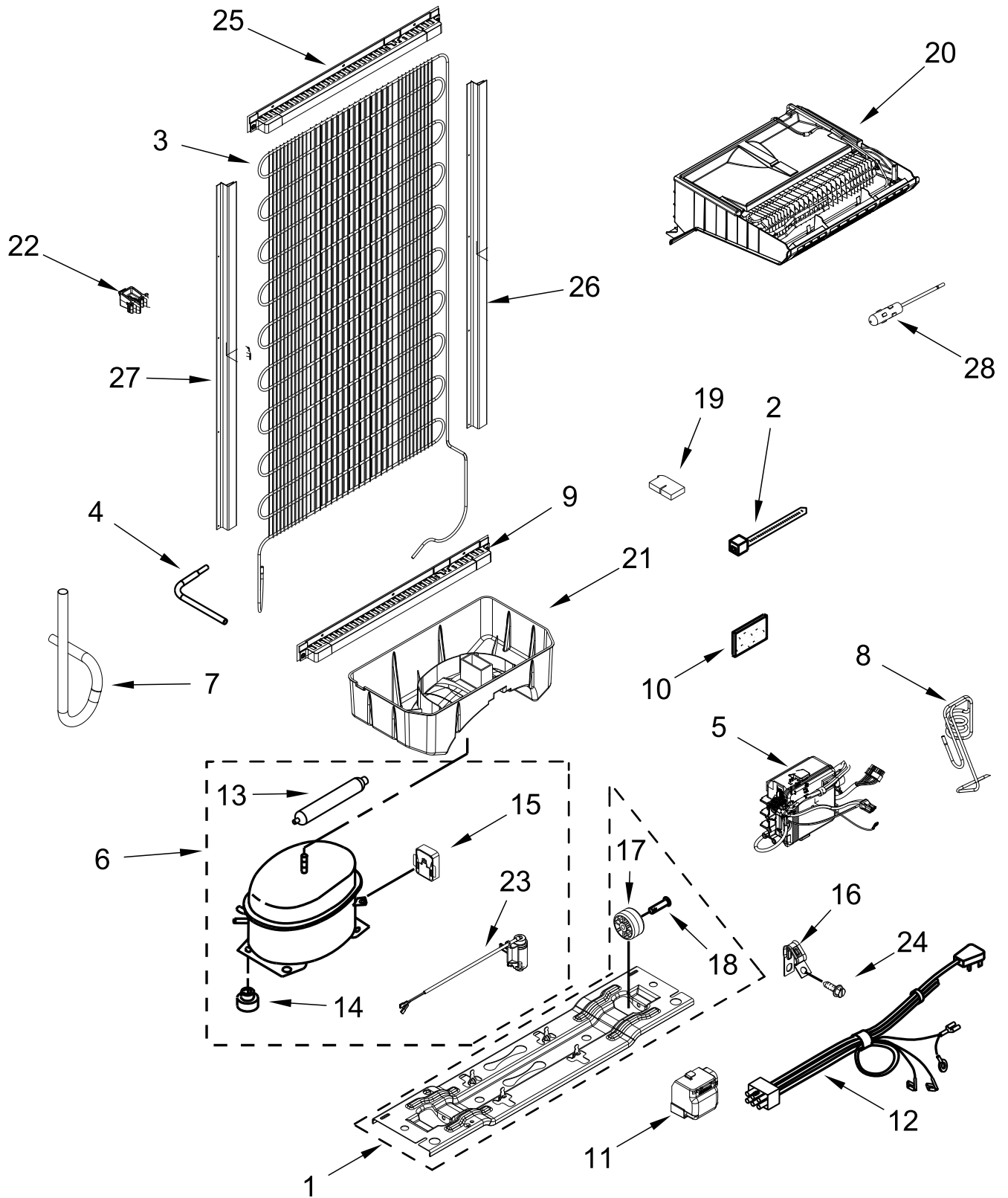
# SHELF PARTS

<u>Illus. No.</u>	<u>Part No.</u>	<u>Description</u>
1	W11391367	Shelf, Tuck
2	W11391363	Shelf, Glass
3	W11262585	Assembly, Shelf
4	W11391361	Shelf, Glass
5	W11248393	Glass, Meat Pan
6	W10435530	Frame, Humidity Control
7	W11403606	Assembly, Crisper
8	W10431229	Control, Humidity
9	W11391352	Pan, Meat

<u>Illus. No.</u>	<u>Part No.</u>	<u>Description</u>
10	W11391313	Drawer, Middle
11	W11391351	Drawer, Bottom
12	W11263186	Ice Maker Front, Cover
13	W11425342	Bin, Ice Cube
14	W11432743	Jumper, Wire Assembly
15	W11261262	Shelf, Multi Utility
16	W11348333	Holder, Beverage
17		Freezer, Drawer
	W11391358	Right Hand

<u>Illus. No.</u>	<u>Part No.</u>	<u>Description</u>
18	W11337838	Assembly, Ice Maker
		OPTIONAL PARTS (NOT INCLUDED)
	W11436901	Ice Cube Bin
	W11416493	Complete Ice Maker Kit (Includes Bin)

# UNIT PARTS



# UNIT PARTS

<u>Illus.</u> <u>No.</u>	<u>Part No.</u>	<u>Description</u>	<u>Illus.</u> <u>No.</u>	<u>Part No.</u>	<u>Description</u>	<u>Illus.</u> <u>No.</u>	<u>Part No.</u>	<u>Description</u>
1	W11407714	Plate, Compressor Mounting	8	W11394373	Coil, Discharge (Also Order the Following Lokring Parts)	20	W11196404	Evaporator Assembly (with defrost heater)  (Also Order the Following Lokring Parts)
2	2263990	Tie, Wire		W10890117	7/5 NR MS 00 (Discharge Tube to Compressor)		W10890290	8/2 NR AL 00 (Capillary Tube to Evaporator)
3	W11387135	Condenser (Also Order the Following Lokring Parts)		W10890131	5/4 NR MS 00 (Heat Loop to Condenser)		W10891067	8 NK AL 00 (Capillary Tube to Evaporator)
	W10890131	5/4 NR MS 00 (Heat Loop to Condenser)	9	W11264207	Condenser, Bottom Protection		W11400725	8/7- NR-AL-00 (Suction Line to Evaporator)
	W10891058	5 NK MS 00 (Heat Loop to Drier)	10	2215468	Insulation, Sound		W10891067	8 NK AL 00 (Suction Line to Evaporator)
4	2174739	Tube, Process	11	W11342284	Cover, Terminal Board		W11187707	200-MM- AL-00 Aluminum Suction Line(Order 2)
5	W11290670	Box, Control	12	W11248029	Assembly, Power Cord	21	W11461578	Tray, Water
6	W11225065	Compressor (Also Order the Following Lokring Parts)	13	W10805035	Drier (Service Drier Without Dye)  (Also Order the Following Lokring Parts)	22	326020544	Support, Condenser
	W10890087	8.5/8 NR MS 00 (Suction Tube to Compressor)		W10891058	5 NK MS 00 (Heat Loop to Drier)	23	W11358319	Assembly, Capacitor
	W10890117	7/5 NR MS 00 (Discharge Tube to Compressor)		W11400723	5/1.8-NR-AL-00 (Capillary Tube to Drier)	24	489442	Screw
	W10890102	8/6 NR MS 00 (Charging Tube to Compressor)	14	10835903	Grommet	25	W11264206	Condenser, Top Protection
	W10913906	Tube, Charging (1/4" w/ Schrader Valve)	15	W11387715	Device, Start	26	W11377937	Condenser, Side Protection (Right)
7	W11383830	Suction Tube, Static	16	W11242280	Clamp, Power Cord	27	W11377938	Condenser Side Protection (Left)
			17	W10475495	Roller	28		Thermistor (Not Serviced)
			18	2179826	Axle, Rivet			REFRIGERANT CHARGE
			19	W10261299	Wedge, Evaporator			42g (R-600A)