



## **BOTTOM MOUNT REFRIGERATOR**

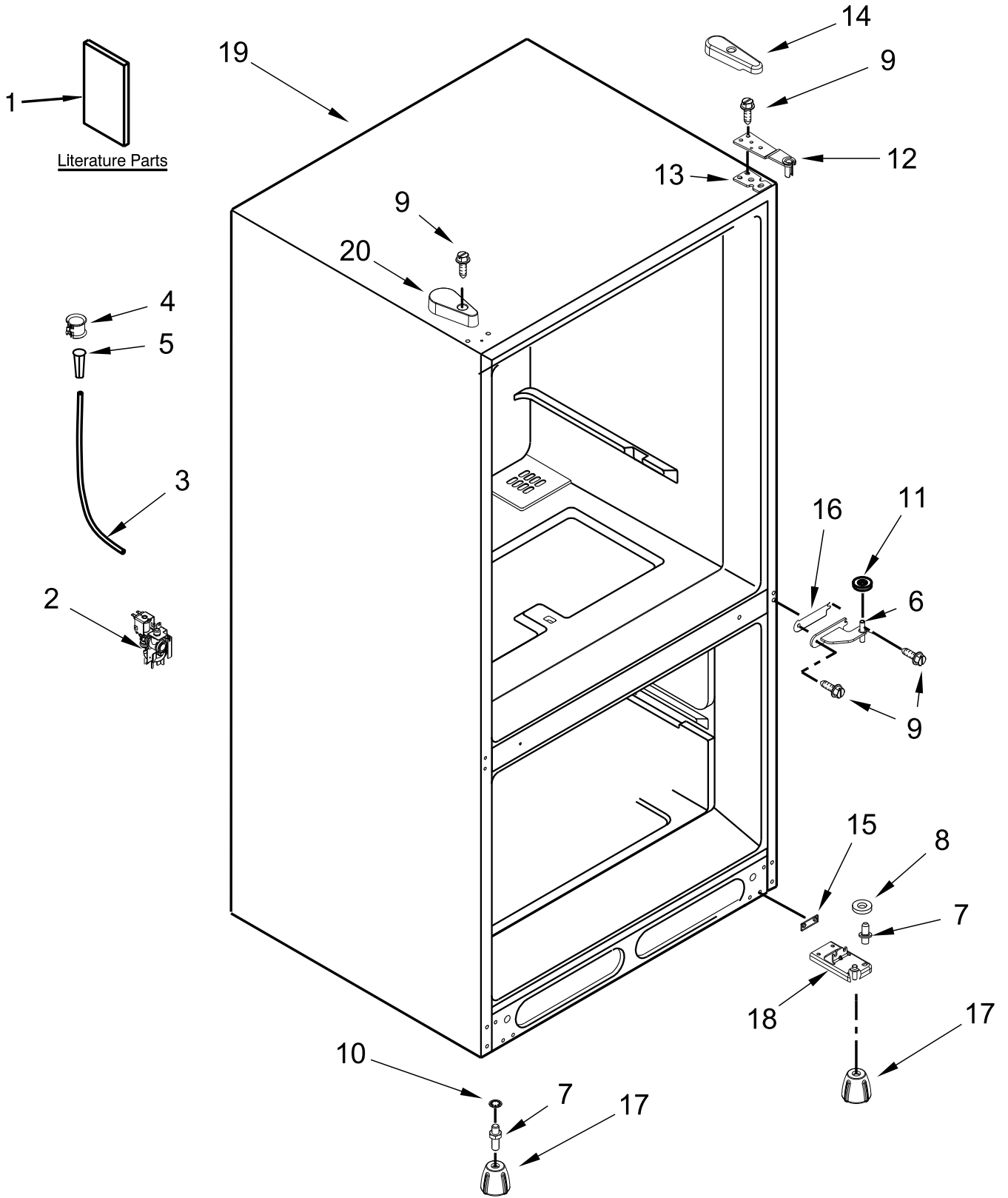
### **MODELS:**

WRB533CZJW00 (White)

WRB533CZJB00 (Black)

WRB533CZJZ00 (Stainless)

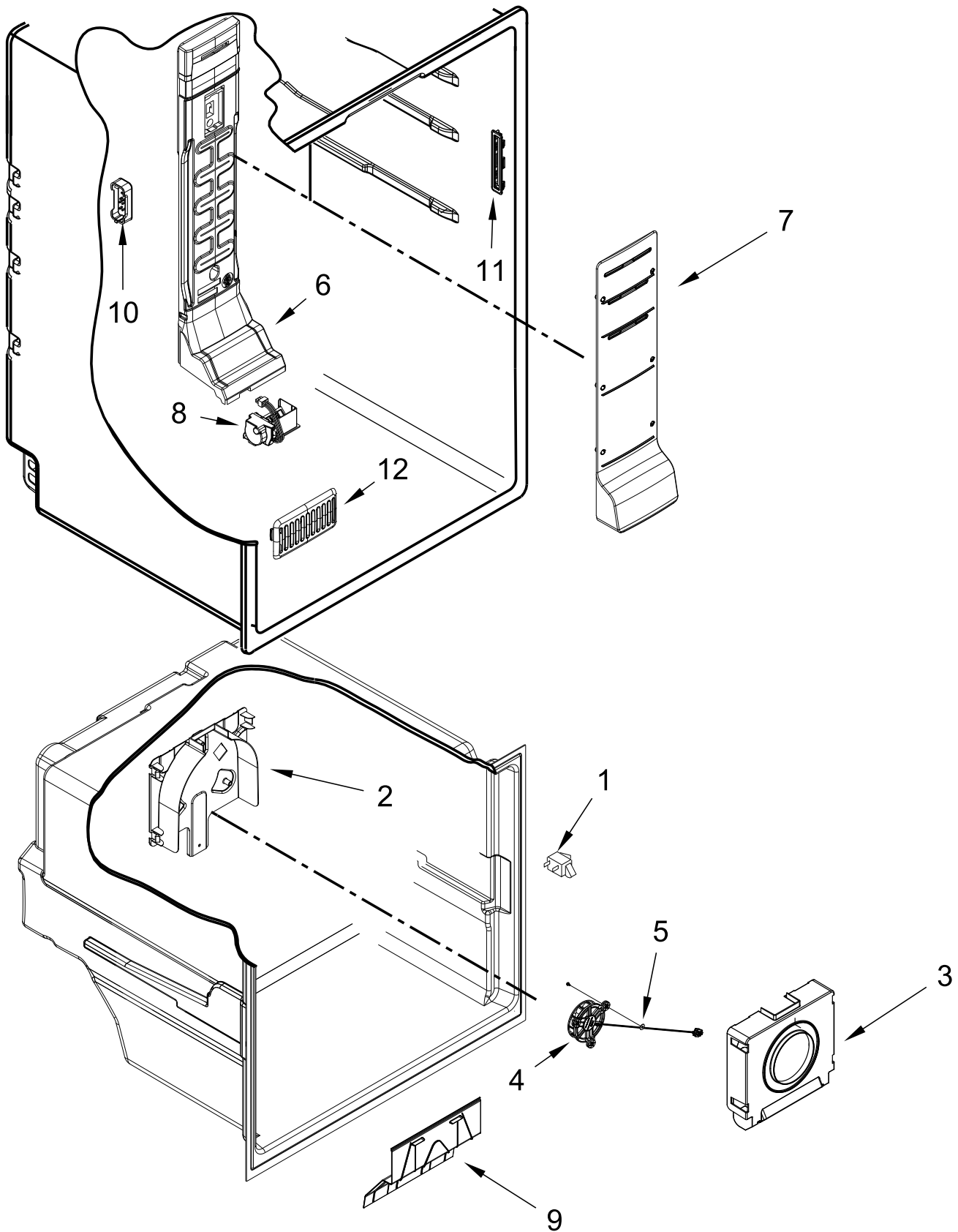
# CABINET PARTS



# CABINET PARTS

<u>Illus. No.</u>	<u>Part No.</u>	<u>Description</u>	<u>Illus. No.</u>	<u>Part No.</u>	<u>Description</u>	<u>Illus. No.</u>	<u>Part No.</u>	<u>Description</u>
1		Literature Parts	10	R-30039	Screw, Leveler	18	W11217747	Assembly, Bottom Hinge
	W11449055	Use and Care Guide	11	487576	Washer, Plastic			
	W11429027	Energy Guide	12	W11191773	Assembly, Top Hinge	19		Cabinet (Not a Serviceable Part)
2	W10498976	Valve, Inlet	13	W10399311	Shim, Top Hinge	20		Cover, Connector Box
3	W10837812	Tube, Water	14		Hinge Cover		W11266884	White
4	W10329003	Clamp, Tube		W11467695	White		W11266885	Grey
5	2181939	Insert, Tube		W11467697	Black		W11266887	Black
6	W11173998	Hinge, Center		W11467696	Grey			
7	W11183254	Pin, Hinge (Bottom)	15	W10919908	Shim, Bottom Hinge			
8	489341	Washer, Plastic	16	W11175787	Shim, Center Hinge			
9	489497	Screw	17	W11176400	Leg, Leveler			

# LINER PARTS



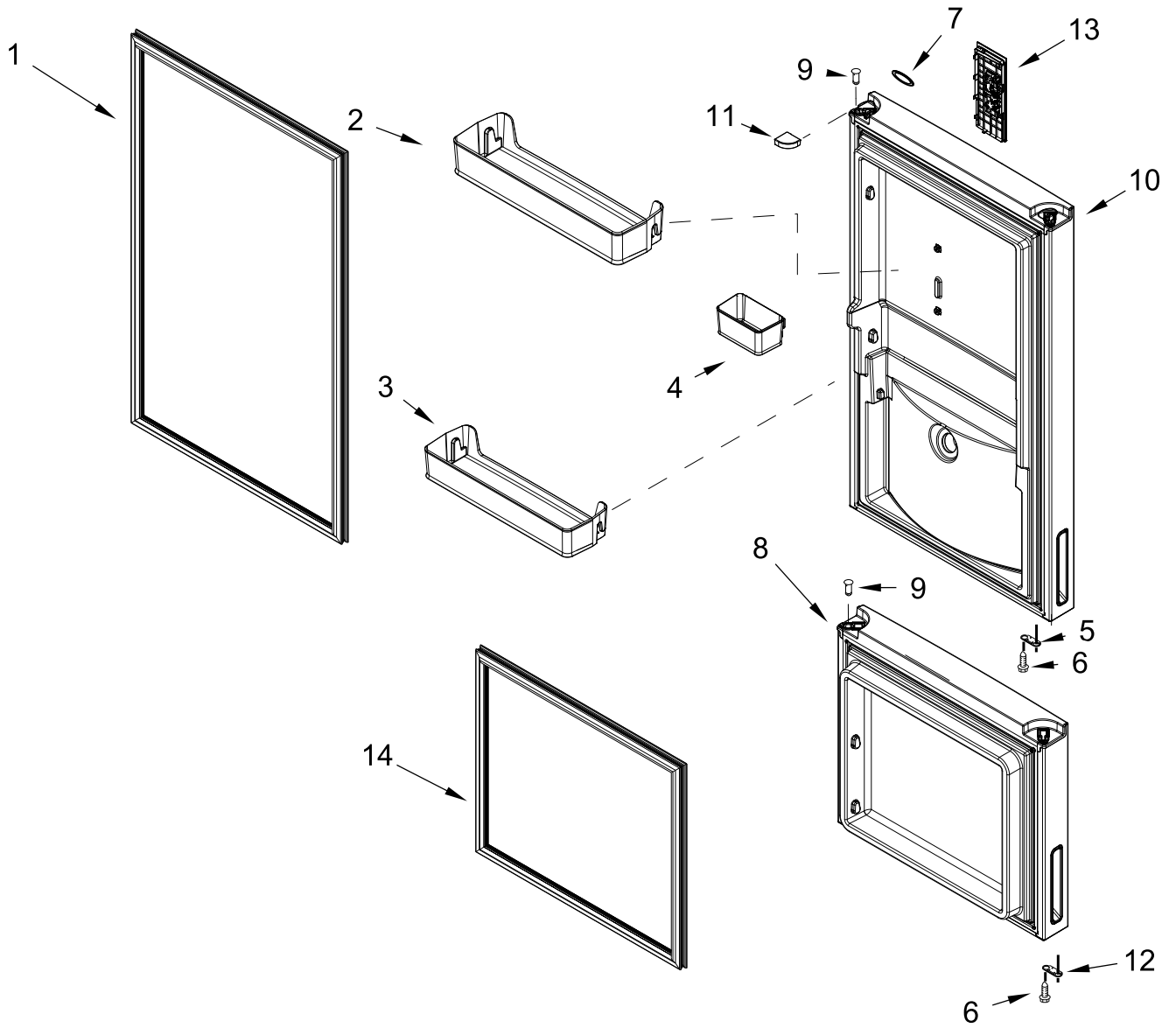
# LINER PARTS

<u>Illus.</u> <u>No.</u>	<u>Part No.</u>	<u>Description</u>
1	W10847853	Switch, Light
2	W11261264	Fan Motor Back Support
3	W11261353	Fan Motor Front Cover
4	W11117547	Assembly, Fan Motor
5	489468	Washer

<u>Illus.</u> <u>No.</u>	<u>Part No.</u>	<u>Description</u>
6	W11300985	Multiflow, Main
7	W11207474	Multiflow, Cover
8	W10745484	Damper, Electronic Control
9	W11259784	Multiflow, Freezer
10	W10425252	Cover, Thermistor

<u>Illus.</u> <u>No.</u>	<u>Part No.</u>	<u>Description</u>
11	W10883842	Light Strip, Assembly
12	W11207475	Front Grill, Air Duct

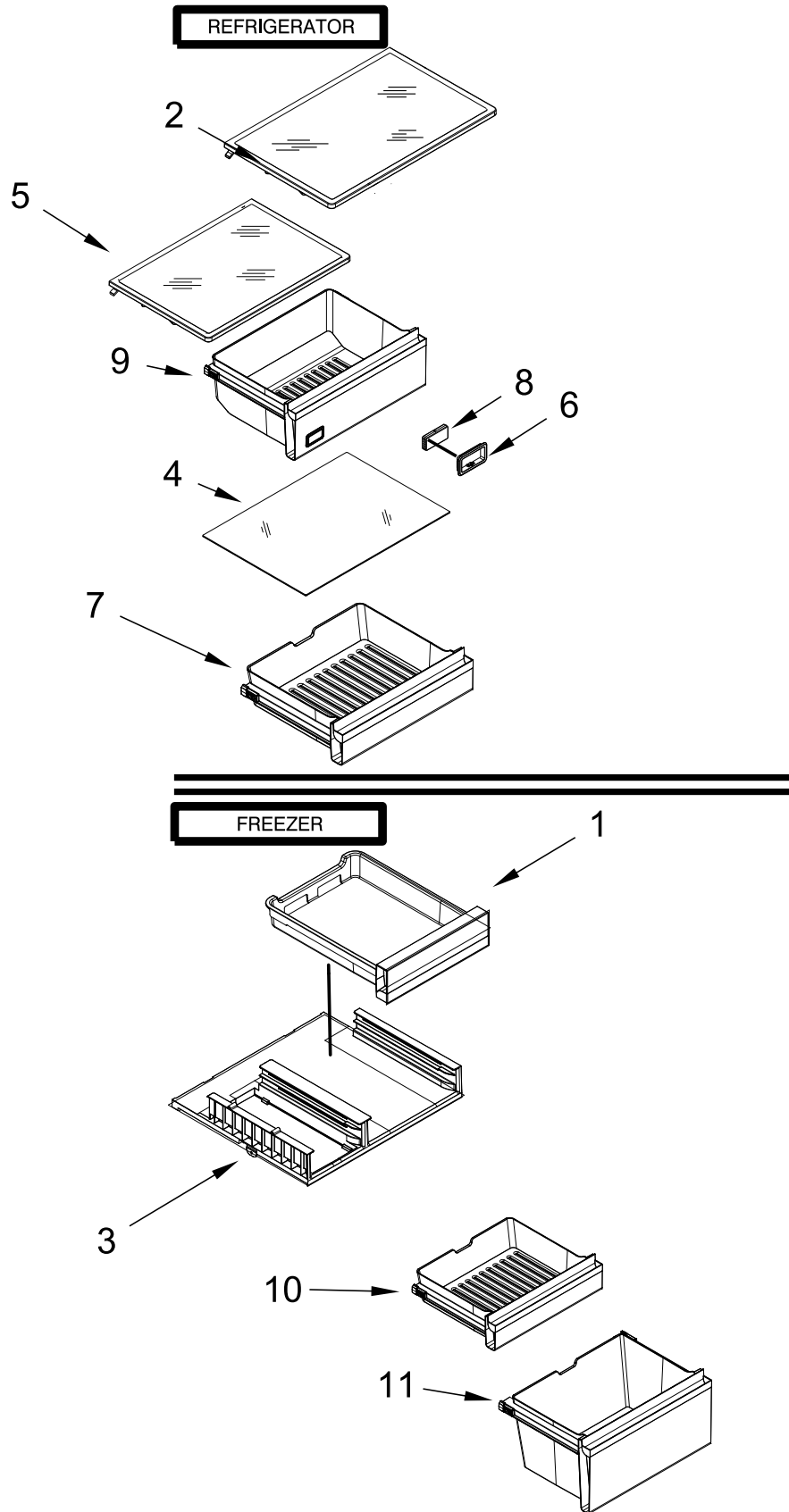
# DOOR PARTS



# DOOR PARTS

<u>Illus. No.</u>	<u>Part No.</u>	<u>Description</u>	<u>Illus. No.</u>	<u>Part No.</u>	<u>Description</u>	<u>Illus. No.</u>	<u>Part No.</u>	<u>Description</u>
1		Gasket, Refrigerator Door	9		Thimble, Top	11		Endcap
	W11239028	White		W10492018	White			Left Hand
	W11239027	Black		W10334042	Black		W11246845	White
	W11250322	Grey		W11289190	Gray		W11246847	Black
2	W11291426	Bin, Bottle	10		Door, Refrigerator		W11246818	Grey
3	W11247889	Door Bin, Refrigerator		W11309068	White			Right Hand
4	W11247503	Compartment, Half Bin		W11309069	Black		W11246852	White
5	2189202	Bracket, Door Stop		W11315317	Saturn		W11246854	Black
6	489276	Screw					W11246849	Grey
7	W10884775	Badge				12	W10397055	Bracket, Door Stop
8		Door, Freezer				13	W11448792	UI Assembly
	W11308349	White				14		Gasket, Freezer Door
	W11308361	Black					W11239031	White
	W11315310	Saturn					W11239030	Black
							W11250321	Grey

# SHELF PARTS





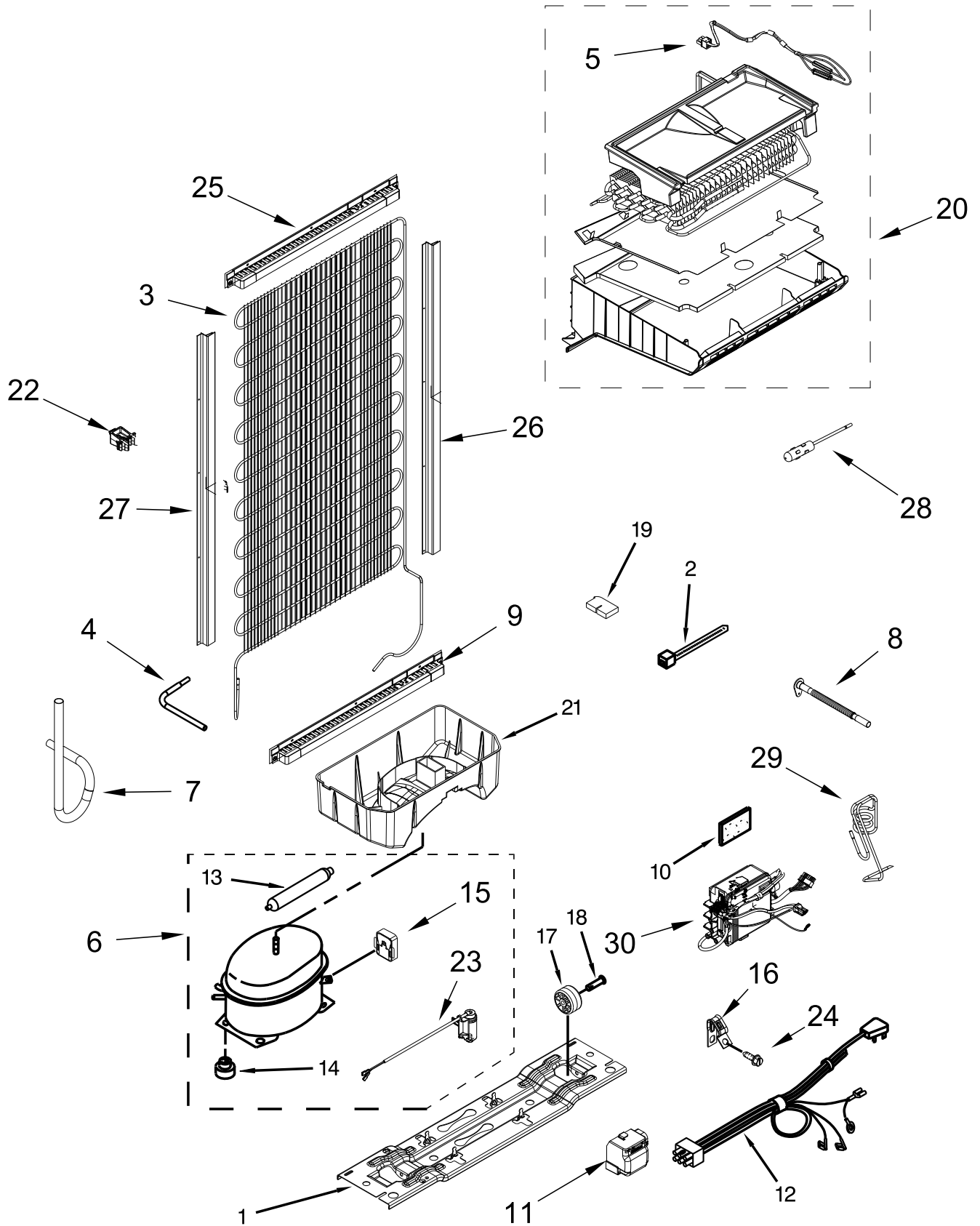
# SHELF PARTS

<u>Illus. No.</u>	<u>Part No.</u>	<u>Description</u>
1		Freezer, Drawer
	W11391360	Left Hand
	W11391358	Right Hand
2	W11391363	Shelf, Glass
3	W11261262	Shelf, Multi Utility
4	W11391361	Shelf, Glass
5	W11248393	Glass, Meat Pan

<u>Illus. No.</u>	<u>Part No.</u>	<u>Description</u>
6	W10435530	Frame, Humidity Control
7	W11403606	Assembly, Crisper
8	W10431229	Control, Humidity
9	W11391352	Pan, Meat
10	W11391313	Drawer, Middle

<u>Illus. No.</u>	<u>Part No.</u>	<u>Description</u>
11	W11391351	Drawer, Bottom
		Optional Parts (NOT INCLUDED)
	W11436851	Ice Maker Kit (Also Order Bin)
	W11416493	Complete Ice Maker Kit (Includes Bin)
	W11436901	Ice Cube Bin

# UNIT PARTS



# UNIT PARTS

<u>Illus.</u> <u>No.</u>	<u>Part No.</u>	<u>Description</u>	<u>Illus.</u> <u>No.</u>	<u>Part No.</u>	<u>Description</u>	<u>Illus.</u> <u>No.</u>	<u>Part No.</u>	<u>Description</u>
1	W11407714	Plate, Compressor Mounting	12	W11248029	Assembly, Power Cord	26	W11377937	Condenser, Side Protection (Right)
2	2263990	Tie, Wire	13	W11107829	Drier	27	W11377938	Condenser Side Protection (Left)
3	W11387135	Condenser (Also Order the Following Lokring Parts)	14	10835903	Grommet	28		Thermistor (Not Serviced)
	W11504445	5/4 NR MS 00 (Heat Loop to Condenser)	15	W11387715	Device, Start	29	W11394373	Coil, Discharge (Also Order the Following Lokring Parts)
	W10896710	5/5-NK-MS-00 (Drier to Condenser)	16	W11242280	Clamp, Power Cord	W10895750	7/5-NR-MS-00 (Compressor to Coil)	
4	2174739	Tube, Process	17	W10475495	Roller	W10896689	5/4-NR-MS-00 (Heat Loop to Coil Discharge)	
5	W11466255	Jumper, Thermal Fuse	18	2179826	Axle, Rivet	30	W11290670	Box, Control REFRIGERANT CHARGE 42g (R-600A)
6	W11225065	Compressor (Also Order the Following Lokring Parts)	19	W10261299	Wedge, Evaporator			
	W10895713	(8.5/8-NR-MS-00) (Suction Tube to Compressor)	20	W11196404	Evaporator Assembly (with defrost heater)  (Also Order the Following Lokring Parts)			
	W10895723	8/6-NR-MS-00 (Suction Tube to Compressor)	W11504423	8/2 NR AL 00 (Capillary Tube to Evaporator)				
	W10895750	7/5-NR-MS-00 High Pressure Line to Compressor	W10897195	(8-NK-AL-00) (Capillary Tube to Evaporator)				
	W11506635	Tube, Charging (1/4" w/ Schrader Valve)  Charging Tube to Compressor	W11225184	(8-MM-200-MM) (Capillary Tube to Evaporator)				
7	W11383830	Suction Tube, Static	W11401413	(8/7-NR-AL-00) (Suction Line to Evaporator)				
8	W11353353	Extension, Drain Tube	W10897195	(8-NK-AL-00) (Suction Line to Evaporator)				
9	W11264207	Condenser, Bottom Protection	W11225184	(8-MM-200-MM) (Suction Line to Evaporator)				
10	2215468	Insulation, Sound	21	W11461578	Tray, Water			
11	W11342284	Cover, Terminal Board	22	326020544	Support, Condenser			
			23	W11358319	Assembly, Capacitor			
			24	489442	Screw			
			25	W11264206	Condenser, Top Protection			