



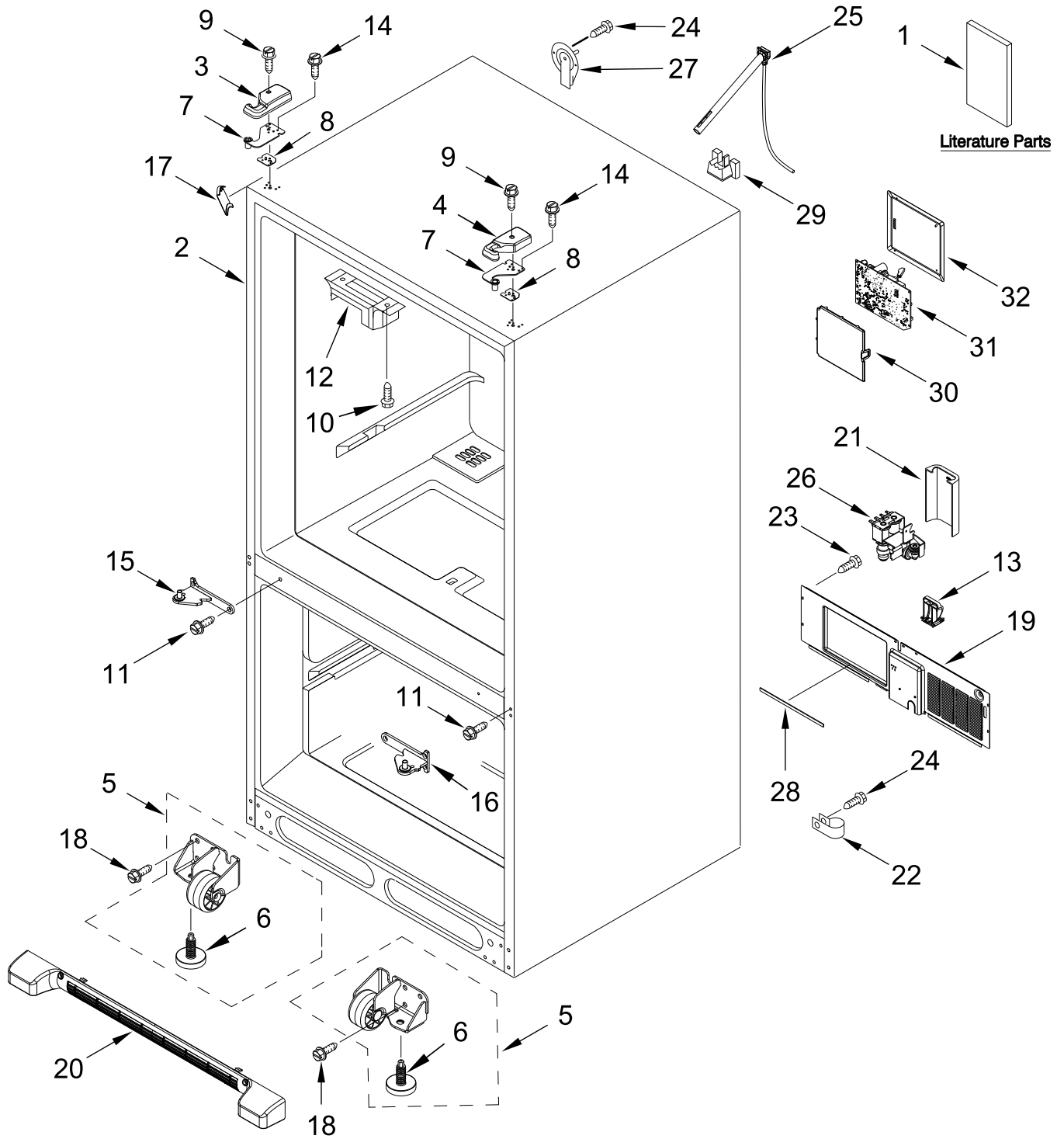
REFRIGERATOR

MODELS:

WRFF5333PW00 (White)

WRFF5333PB00 (Black)

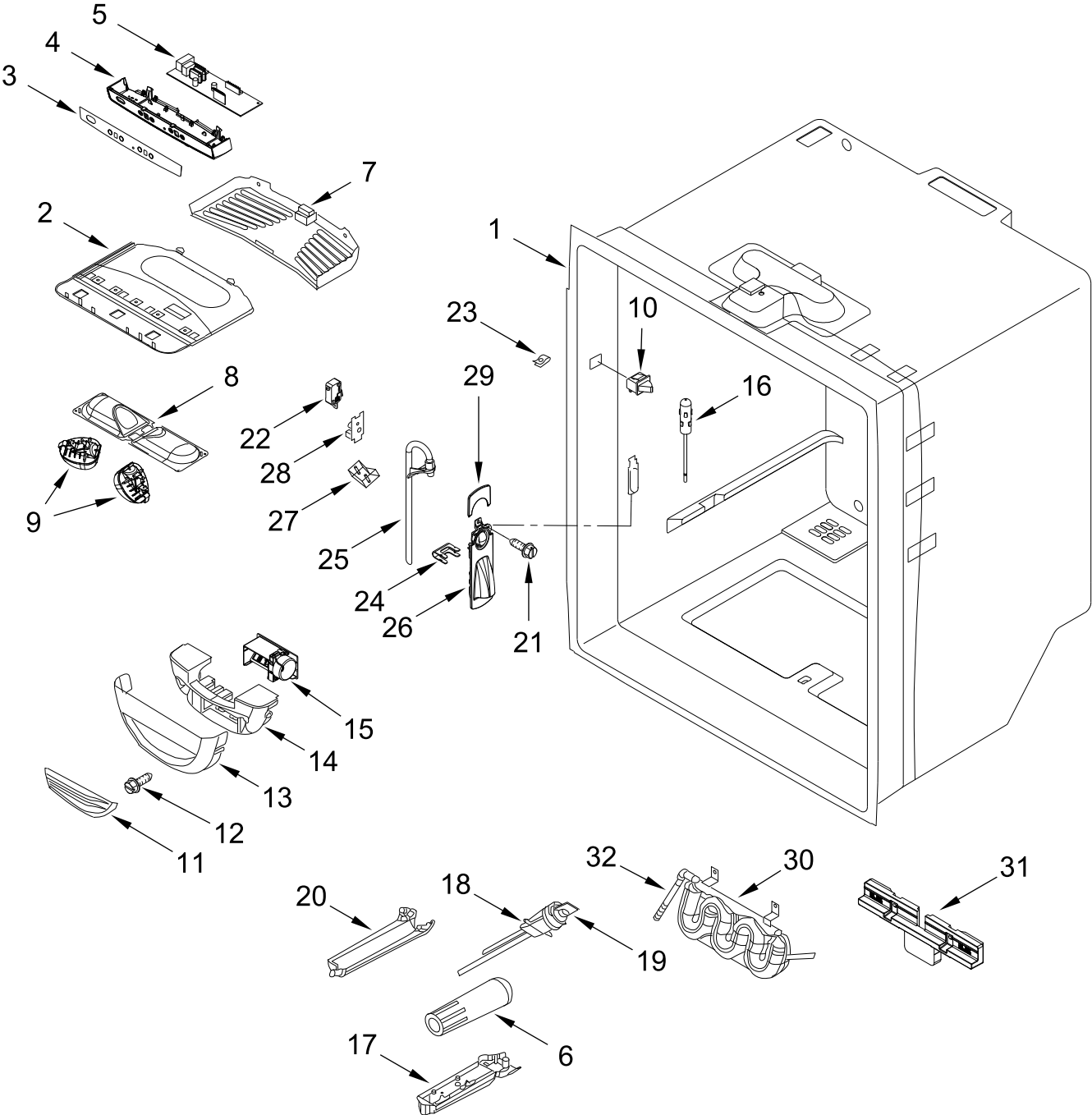
CABINET PARTS



CABINET PARTS

<u>Illus.</u> <u>No.</u>	<u>Part No.</u>	<u>Description</u>	<u>Illus.</u> <u>No.</u>	<u>Part No.</u>	<u>Description</u>	<u>Illus.</u> <u>No.</u>	<u>Part No.</u>	<u>Description</u>
1		Literature Parts	9	12992602	Screw	22	M0108107	Clamp, Tube
	W11468670	Use and Care Guide	10	688983	Screw	23	W10141645	Screw
	W11651386	Energy Guide	11	W10673840	Screw (Stainless)	24	12990504	Screw
	W11623340	Tech Sheet	12	12698403	Plate, Pivot	25	W11046934	Assembly, Fill Tube (Includes Tubing, Fill Tube Elbow, Tube Insert and Clamp)
2		Cabinet (Not a Servicable Part)	13	W10528513	Sweep, Dual Tube			
			14	12992403	Screw			
3		Cover, Top Hinge Left Hand	15		Hinge, Center Left Hand	26	W11446816	Valve, Water Inlet
	W10337634	White		W10740148	White	27	12726003	Cover, Water Line
	W10337647	Black		W10740149	Black	28	W11534847	Gasket
4		Cover, Top Hinge Right Hand	16		Hinge, Center Right Hand	29	W10658542	Block, Fill Tube
	12962302W	White		W10740144	White	30	12957702	Lid, HV Box
	12962302B	Black		W10740145	Black	31	W10317076	Board, HV Control
5		Assembly, Roller	17		Cover, Corner	32	W10257665	Box, HV Control
	W10515763	Left Hand		12587703W	White			
	W10515762	Right Hand		12587703B	Black			
6	W10141622	Brake, Roller	18	W10709365	Screw			
7		Hinge, Top	19	W10210980	Cover, Unit			
	W11456626	Left Hand	20		Grille, Toe			
	W11456625	Right Hand		W10534161	White			
8		Shim, Top Hinge		W10534162	Black			
	12999501	Left Hand	21	W10208593	Guard, Dual Water Valve			
	12999502	Right Hand						

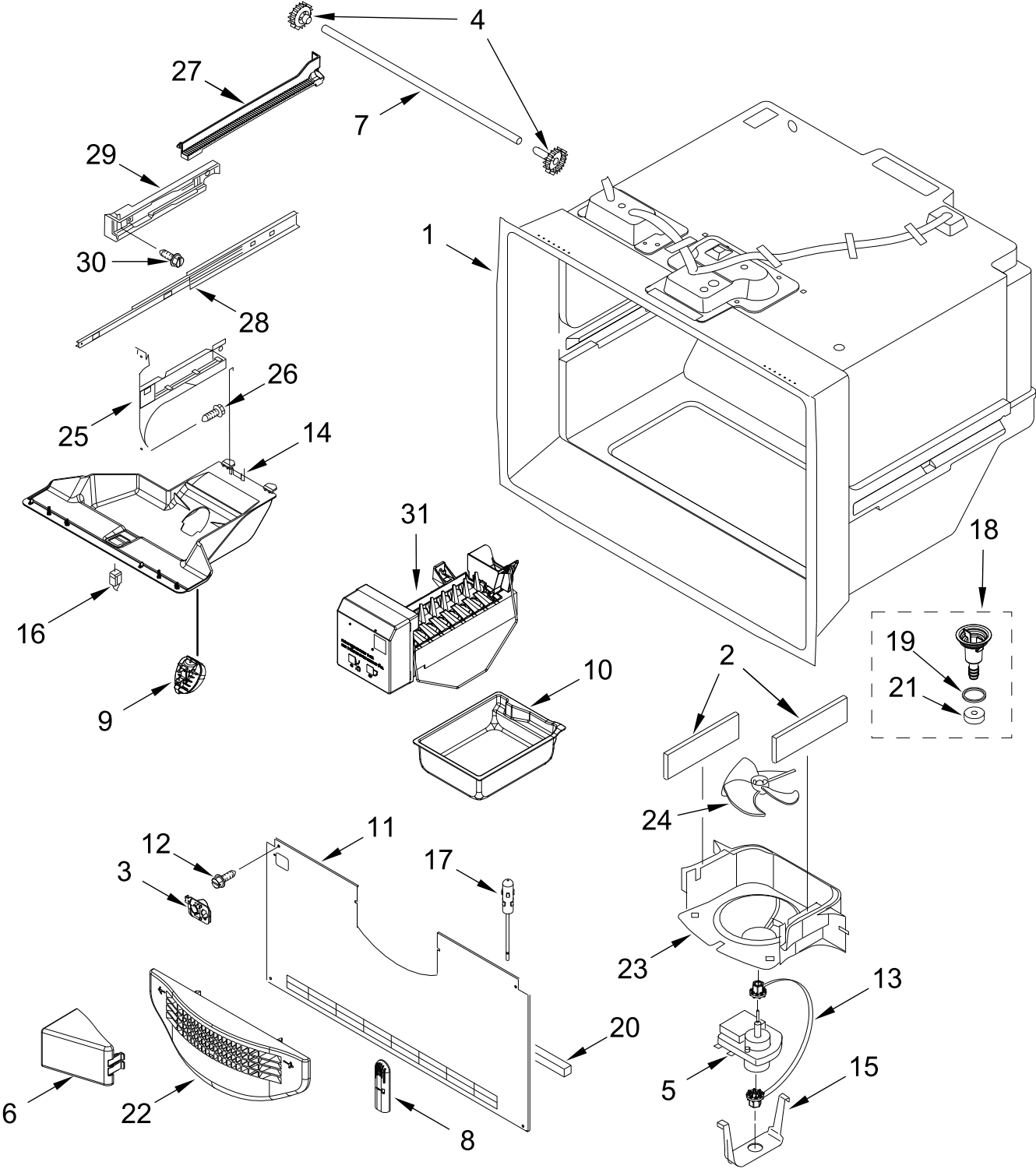
REFRIGERATOR LINER PARTS



REFRIGERATOR LINER PARTS

<u>Illus. No.</u>	<u>Part No.</u>	<u>Description</u>	<u>Illus. No.</u>	<u>Part No.</u>	<u>Description</u>	<u>Illus. No.</u>	<u>Part No.</u>	<u>Description</u>
1		Liner (Not A Serviceable Part)	14	13012402	Insulation, Damper	26	W11551461	Facade, Dispenser
2	W10464766	Module, Light	15	W10594329	Control, Damper	27	W11437004	Foam, Plate Switch
3	W10746278	Overlay	16	12791406SP	Thermistor	28	W11437528	Plate, Switch
4	W10464767	Module, Control	17	12704801	Plate, Filter	29	W11437003	Facade, Dispenser (Top)
5	W11593757	Board, Control	18	W11308018	Head, Water Filter (Includes Bypass Cartridge)	30	W11097710	Tank, Water
6	W11256384	Filter, Water	19	12664501SP	Cartridge, Bypass	31	W10300461	Insulation, Water Tank
7	W11132917	Cover, Light	20	12568001	Cover, Filter	32	61006182	Union, Water
8	W10443023	Housing, Light	21	12990302	Screw			FOLLOWING PARTS NOT ILLUSTRATED
9	W11468934	Light Module, LED	22	W11495787	Switch, Limit			
10	W10847852	Switch, Rocker	23	12251001	Clip, Water Tube		W11609496	Harness, Control (Includes Thermistor)
11	12806801	Insert, Damper Cover	24	B8390302	Clip, Facade			
12	12990604	Screw	25	W11031909	Guide, Waterline			
13	12806701	Cover, Damper						

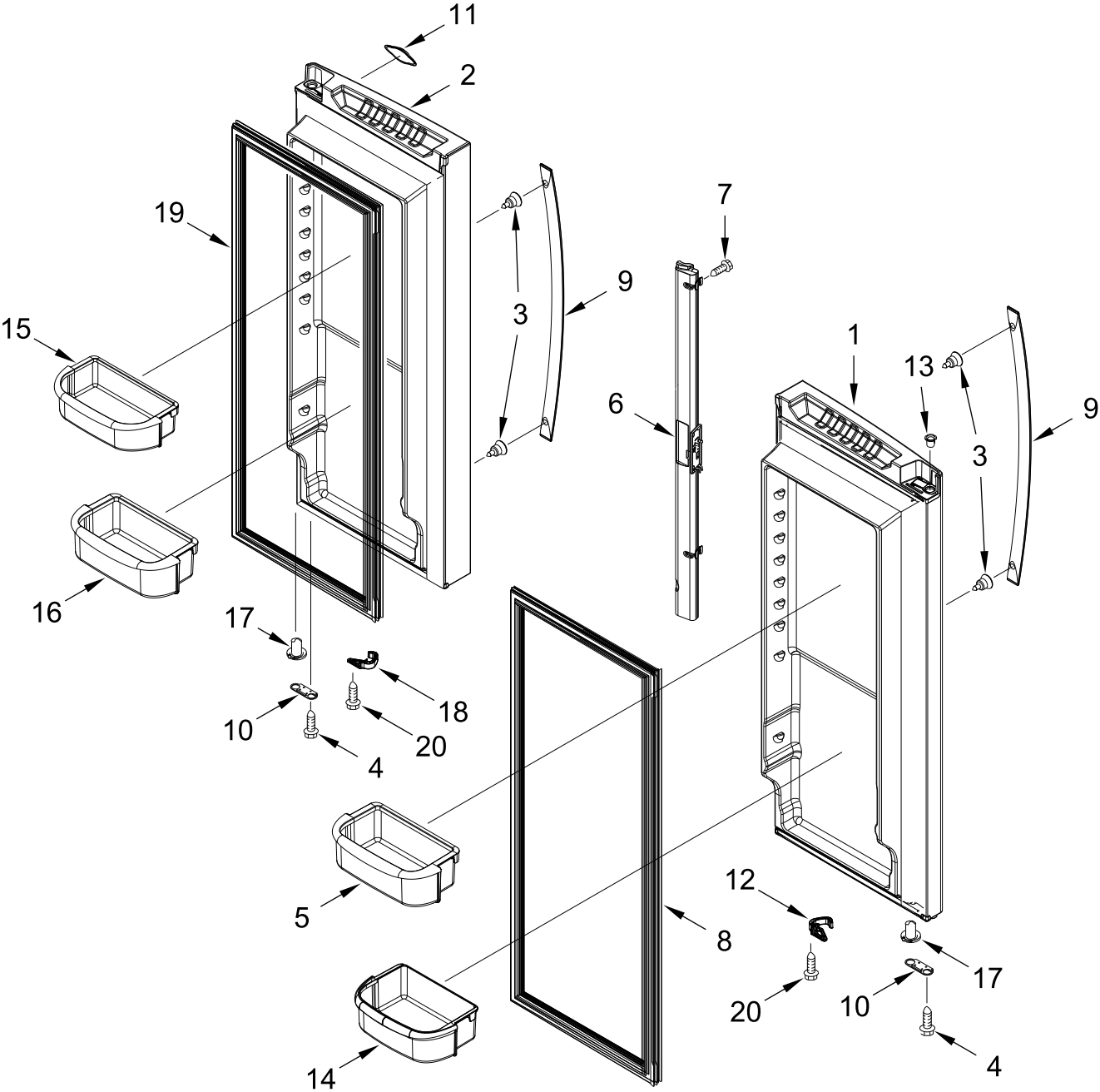
FREEZER LINER AND ICEMAKER PARTS



FREEZER LINER AND ICEMAKER PARTS

<u>Illus.</u> <u>No.</u>	<u>Part No.</u>	<u>Description</u>	<u>Illus.</u> <u>No.</u>	<u>Part No.</u>	<u>Description</u>	<u>Illus.</u> <u>No.</u>	<u>Part No.</u>	<u>Description</u>
1		Liner (Not A Serviceable Part)	14	W10277025	Module, Light	25		Bracket, Door
2	A3189392	Gasket, Foam	15	13058002	Clip, Evaporator Motor		W10330991	Left Hand
3	W11341630	Guide, Fill Tube	16	W10847849	Switch, Light		W10330993	Right Hand
4	12002497	Gear	17	12791409SP	Thermistor	26	12990521	Screw
5	13062901	Motor, Evaporator	18	W10662407	Assembly, Drain Funnel	27		Rail, Side
6	W10157765	Diverter, Air	19	M0500703	Seal		W11309374	Left Hand
7	W10802331	Shaft, Rack	20	A3189395	Gasket, Foam		W11309377	Right Hand
8	12815301	Cover, Thermistor	21	B8381501	Gasket, Drain	28	W10120018	Slide, Door
9	W11468934	Light Module, LED	22	13024803	Grille, Freezer Air	29		Adapter, Slide
10	W10171529N	Pan, Ice	23	13057901	Shroud, Evaporator Fan		W10284684	Left Hand
11	W10308415	Cover, Evaporator					W10284685	Right Hand
12	12990511	Screw				30	12990501	Screw
13	W10150583	Grommet, Fan Motor	24	2169142	Blade, Fan	31	W11456887	Assembly, Icemaker (Complete)

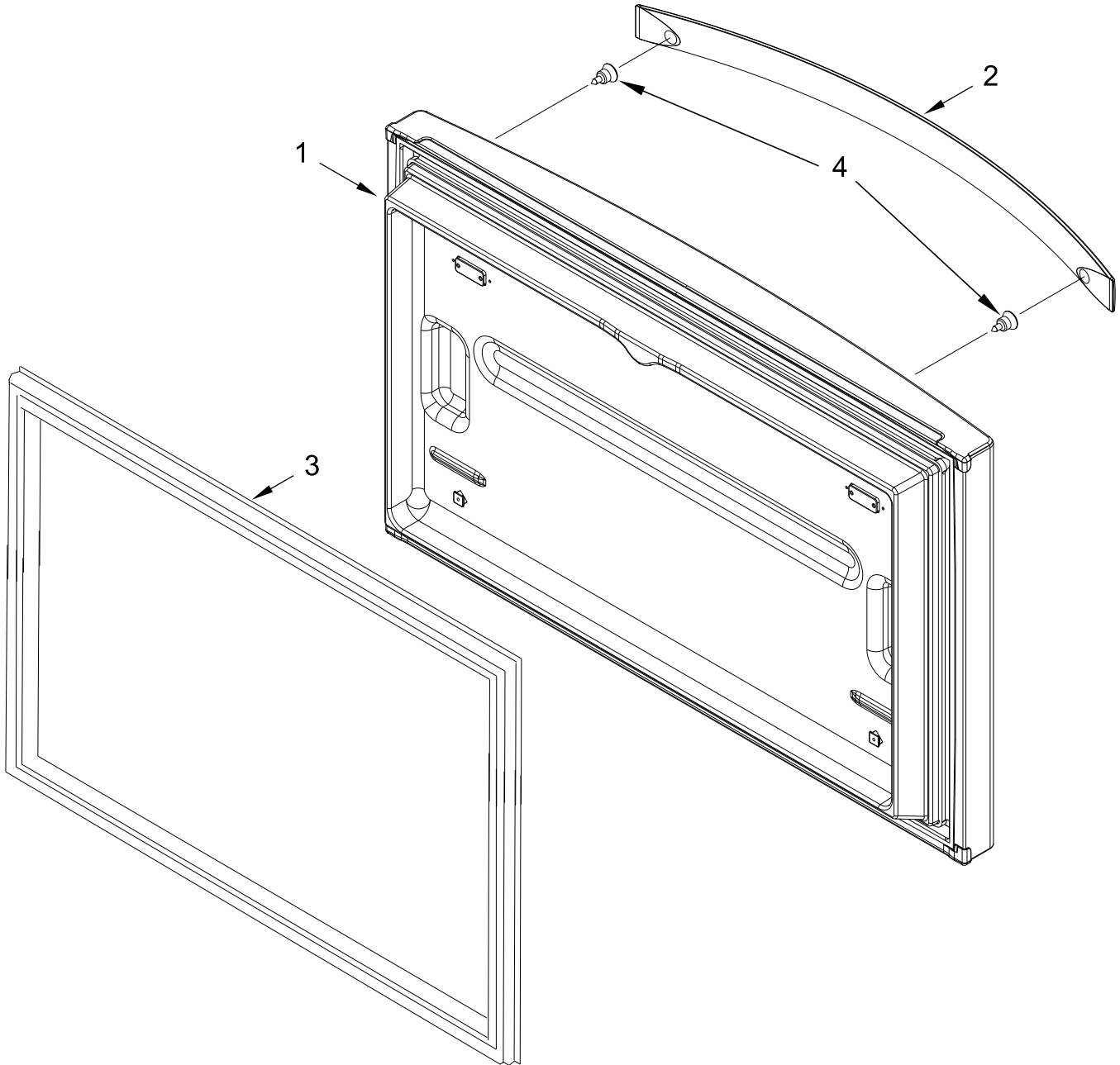
REFRIGERATOR DOOR PARTS



REFRIGERATOR DOOR PARTS

<u>Illus. No.</u>	<u>Part No.</u>	<u>Description</u>	<u>Illus. No.</u>	<u>Part No.</u>	<u>Description</u>	<u>Illus. No.</u>	<u>Part No.</u>	<u>Description</u>
1		Door, Refrigerator	8		Gasket, Door	14	12918704	Bucket, Gallon (Clear)
		Left Hand			Left Hand	15	W10289497	Bucket, Gallon
	W11622643	White		W10830287	White	16	W10371194	Bucket, Medium
	W11622642	Black		W10830289	Black	17		Closure, Door
2		Door, Refrigerator	9		Handle, Door		12028505W	White
		Right Hand		W11101973	White		12028505B	Black
	13107885W	White		W11101974	Black	18		Latch, Door Closer
	13107885B	Black	10		Stop, Door			Right Hand
3	W11328753	Screw		12968202W	White		W10833738	White
4	12990504	Screw		12968202B	Black		W10725267	Black
5	W10351081	Bucket, Small	11	W10884773	Badge	19		Gasket, Door
6		Mullion, Door	12		Latch, Door Closer			Right Hand
	12722803W	White			Left Hand		W10830189	White
	12722803BN	Black		W10833740	White		W10830206	Black
7	12990204	Screw		W10725268	Black	20	12990518	Screw
			13	12996601	Clip, Bushing			

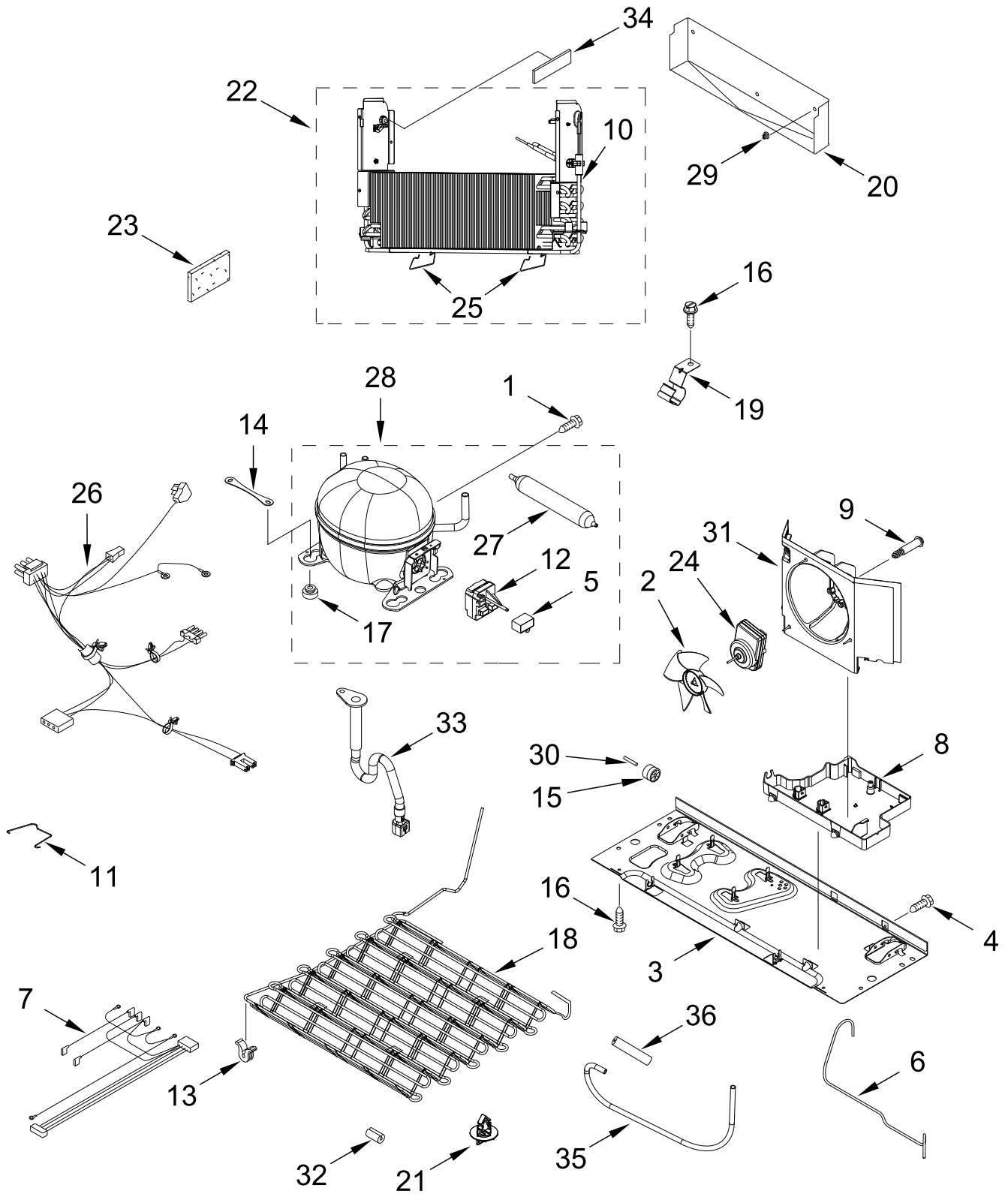
FREEZER DOOR PARTS



FREEZER DOOR PARTS

<u>Illus.</u> <u>No.</u>	<u>Part No.</u>	<u>Description</u>	<u>Illus.</u> <u>No.</u>	<u>Part No.</u>	<u>Description</u>	<u>Illus.</u> <u>No.</u>	<u>Part No.</u>	<u>Description</u>
1		Door, Freezer	2		Handle, Door	3		Gasket, Door
	12977869W	White		W11101982	White		W10443315	White
	12977869B	Black		W11101983	Black		W10436250	Black
						4	W11328753	Screw

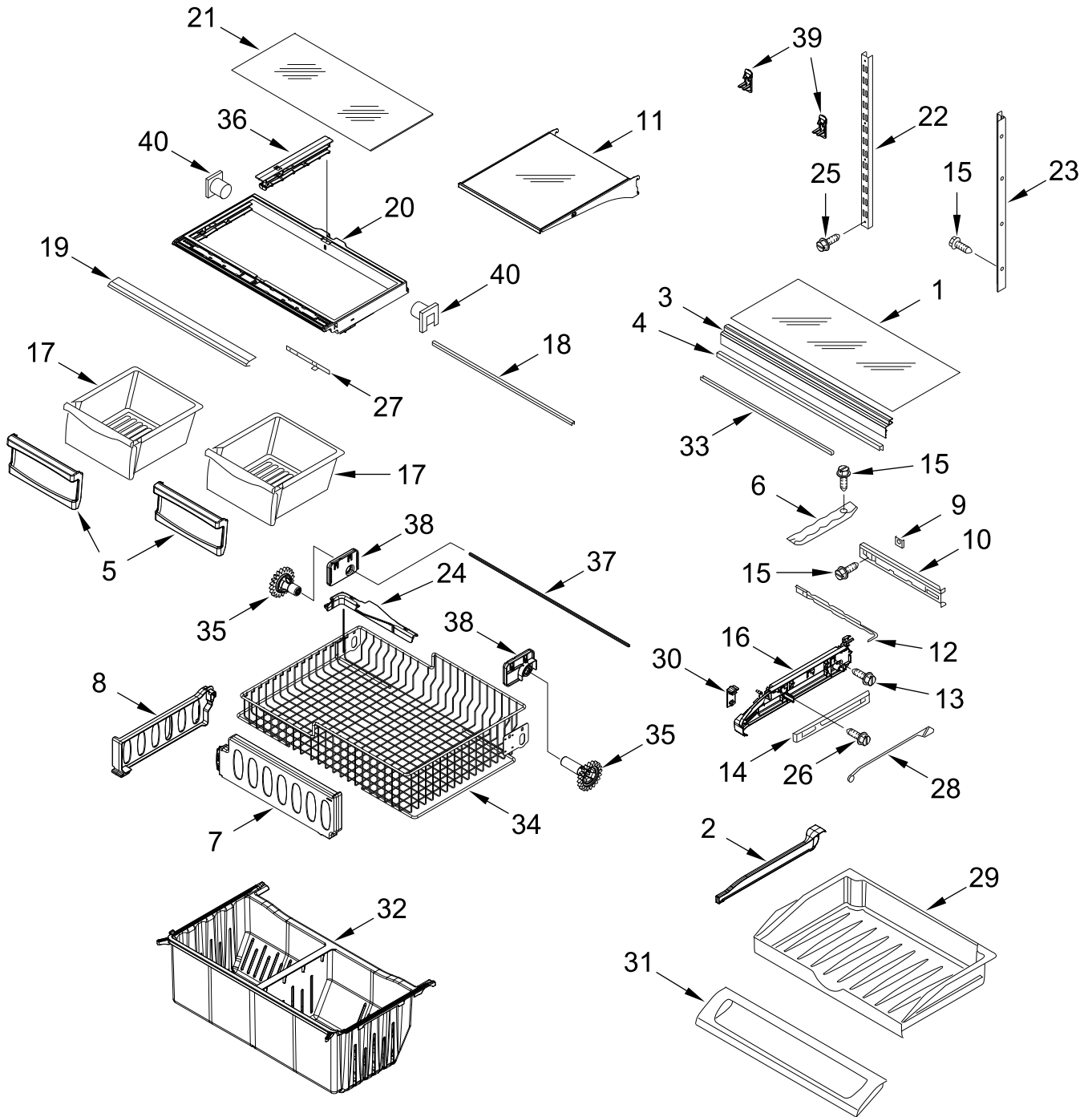
UNIT PARTS



UNIT PARTS

<u>Illus.</u> <u>No.</u>	<u>Part No.</u>	<u>Description</u>	<u>Illus.</u> <u>No.</u>	<u>Part No.</u>	<u>Description</u>	<u>Illus.</u> <u>No.</u>	<u>Part No.</u>	<u>Description</u>	
1	12992301	Screw	20	W11337772	Tray, Drip	28	W11332031	Compressor (Also Order the Following Lokring Parts)	
2	12825803	Blade, Fan	21	W10815863	Clip, Condenser				
3	W10480110	Basepan	22	W11515436	Assembly, Evaporator and Heater				
4	12990511	Screw			(Also Order the Following Lokring Parts)				
5	W10350564	Capacitor					W11504416	8.5/6 NR MS 00 (Suction Tube to Compressor)	
6	W11566600	Tube, Discharge							
7	W11305540	Harness, Evaporator Heater		W11504423	8/2 NR AL 00 (Capillary Tube to Evaporator)			W11504431	7/5 NR MS 00 (Discharge Tube to Compressor)
8	W10655367	Pan, Drain							
9	W10622701	Screw		W11504415	8.5/8 NR MS 00 (Suction Line to Evaporator)			W11506621	6 NK MS 00 (Charging Tube to Compressor)
10	W11287564	Heater, Defrost							
11	W11379613	Strap, Bale							
12	W11359985	Device, Start	23	2169104	Insulation, Sound Deadening			W11506635	Tube, Charging (1/4" w/ Schrader Valve)
13	W10137529	Grommet, Condenser							
14	W10236396	Strap, Compressor	24	W11505534	Motor, Condenser Fan	29	10623002	Clip, Evaporator	
15	12477102	Roller	25	W11380964	Clip, Heater	30	12477202	Axle, Roller	
16	12992101	Screw	26	W11525278	Harness, Unit (Includes Power Cord)	31	W11463236	Shroud, Condenser Fan	
17	10835903	Grommet							
18	W11353138	Condenser (Also Order the Following Lokring Parts)	27	W11353156	Drier (Also Order the Following Lokring Parts)	32	2319835	Grommet, Condenser	
	W11506623	5 NK MS 00 (Discharge Tube to Condenser)		W11504445	5/4 NR MS 00 (Heat Loop to Drier)	33	W10622099	Extension, Drain Tube	
	W11504432	6/5 NR MS 00 (Heat Loop to Condenser)		W11504447	5/1.8 NR MS 00 (Capillary Tube to Drier)	34	W11244122	Gasket, Foam	
						35	W11566588	Tube, Suction	
						36	W10303521	Sleeve REFRIGERANT CHARGE 44 grams (R600a)	
19	W10281329	Clip, Drier							

SHELF PARTS



SHELF PARTS

<u>Illus. No.</u>	<u>Part No.</u>	<u>Description</u>	<u>Illus. No.</u>	<u>Part No.</u>	<u>Description</u>	<u>Illus. No.</u>	<u>Part No.</u>	<u>Description</u>
1	12204820	Glass, Pantry	16		Endcap, Pantry	31	12656823	Lid, Pantry
2	13048601SP	Divider, Pantry Drawer		W11186157	Left Hand	32	W11028627	Bin, Lower
3	13048801	Trim, Pantry Glass		W11185285	Right Hand	33	W10783763	Brace, Crisper Frame
4	W10528936	Support, Glass	17	12530505SP	Pan, Crisper	34	W11115252	Basket, Freezer (Upper)
5	12802302SP	Front, Crisper	18	12227303WD	Brace, Crisper Cover	35		Gear, Spur
6	12531901	Track, Deli Drawer	19	W10231343	Trim, Crisper		W10474716	Left Hand
7	W10311695	Divider, Basket (Upper)	20	W10671241	Frame, Crisper		W10474715	Right Hand
8	W10241046	Divider, Basket (Upper)	21	12204822	Glass, Crisper	36	W10671238	Rail, Center Crisper
9	12656902	Gasket, Pantry	22	W10273463	Ladder, Center	37	W10802339	Shaft, Rack
10	13048301	Housing, Control	23	W10251969	Ladder, Side	38		Mount, Gear
11	W10743546	Assembly, Shelf	24	W10149389N	Lift, Bail Arm		W10348259	Left Hand
12	13048401	Slide, Temperature	25	W10215666	Screw		W10348260	Right Hand
13	12990512	Screw	26	12990504	Screw	39	12531802	Hook, Ladder
14	W10235370	Glide, Pantry	27	12530805SP	Slide, Humidity Control	40		Support, Crisper
15	12990513	Screw	28	13048201	Bar, Control		12531001	Left Hand
			29	W11427807	Drawer, Pantry		12531002	Right Hand
			30	12655204	Knob, Temperature Control			

OPTIONAL PARTS

<u>Illus.</u> <u>No.</u>	<u>Part No.</u>	<u>Description</u>
		TOUCH-UP PAINT
	72017	White
	72032	Black
		PAINT, PRESSURIZED SPRAY (12 oz.)
	350930	White
	350939	Enamel, Black
	285006	Black
		Important: The spray paint is not to be used where the paint may make contact with the door gaskets.
		PAINT, BULK (1 QT.)
	799344	White (Uncut)
		MISCELLANEOUS
	212643	Sealer, Gum (4 Feet)
	479502	Tape, Vinyl (3/4 x 108")
	876370	Insulation (2 Pieces, 3" x 24" x 48")
	876305	Insulation Kit (14 Pieces, 3" x 24" x 48")
	978941	Insulation, Fiberglass (63 1/2" x 35 1/2" x 2 5/8")
	876029	Kit, Foam Slab (30" x 32 1/2" x 1 1/2")
	505587	Sealer, Mastic (1 Qt)
	503695	Cork, Sealer
	542638	Grease, Silicone (1/2 Oz.)
	542639	Cement, Alumilastic (1 1/4 Oz.)
	833938	Kit, Terminal Connector
	8003RP	Kit, Water Inlet
		TORX SCREW WRENCH
	1117510	Torx Key