

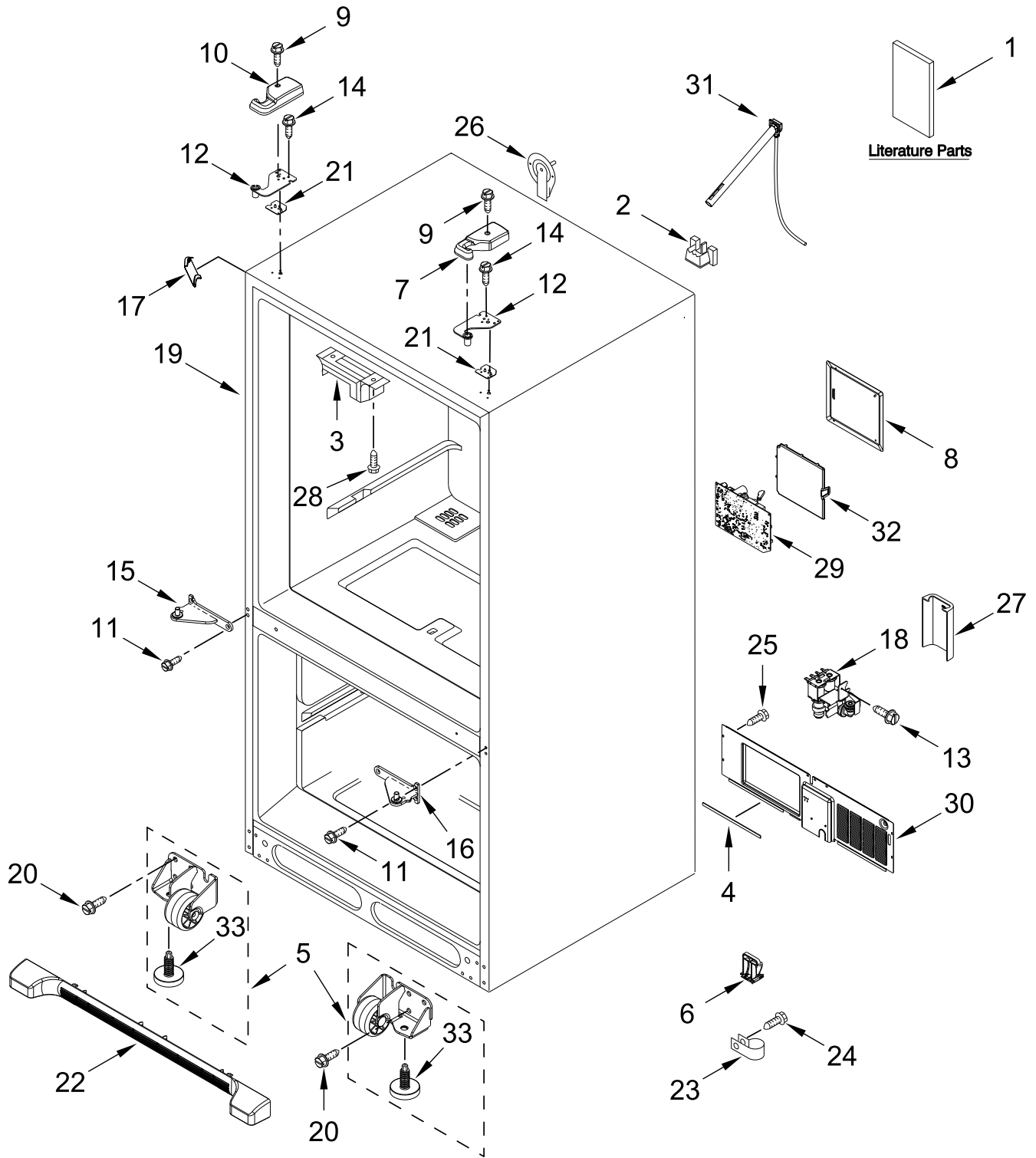


REFRIGERATOR

MODELS:

MFC2062FEZ10 (Stainless Steel)

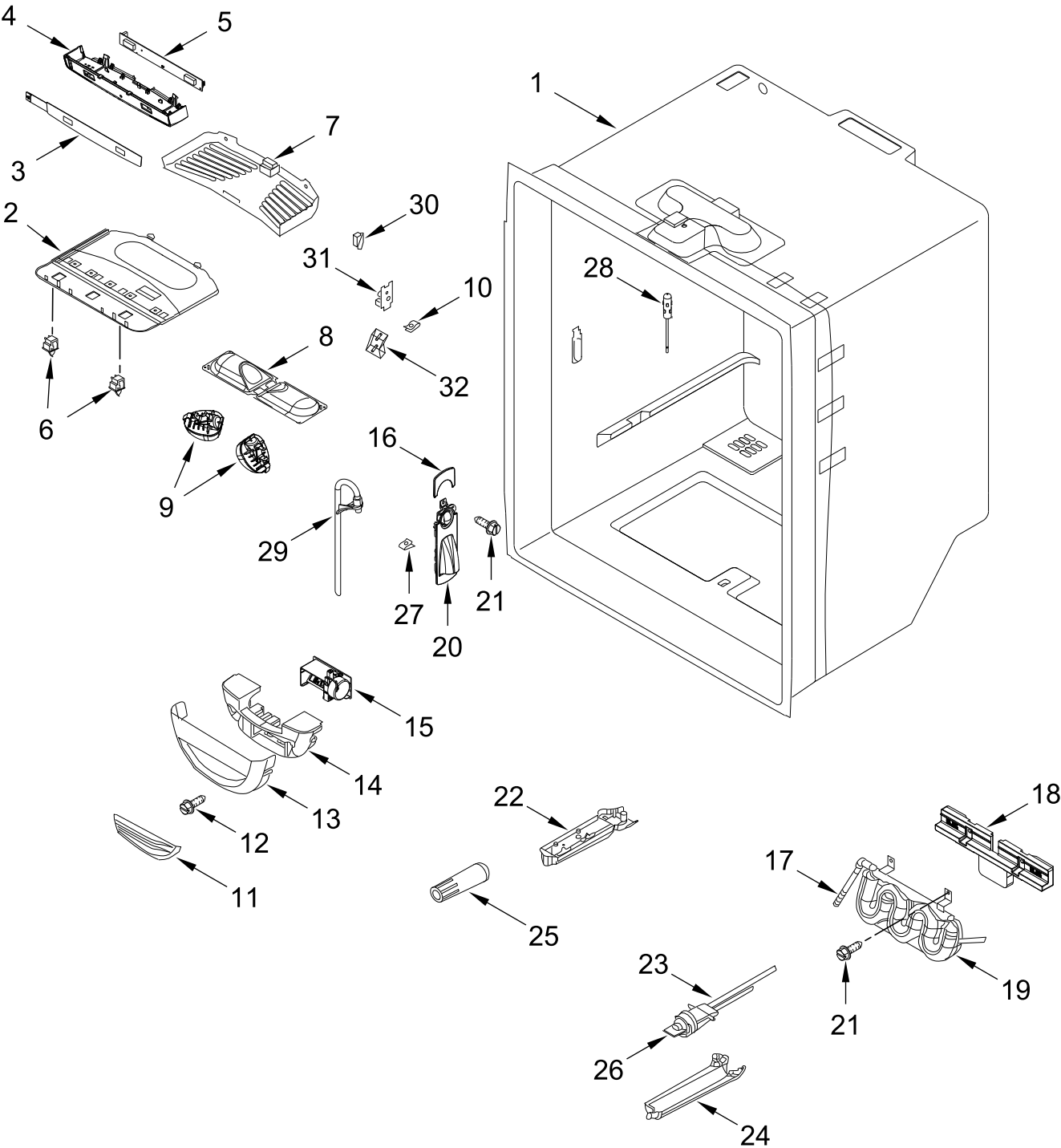
CABINET PARTS



CABINET PARTS

<u>Illus.</u> <u>No.</u>	<u>Part No.</u>	<u>Description</u>	<u>Illus.</u> <u>No.</u>	<u>Part No.</u>	<u>Description</u>	<u>Illus.</u> <u>No.</u>	<u>Part No.</u>	<u>Description</u>
1		Literature Parts	12		Hinge, Top	22		Assembly, Grille
	W11468670	Use and Care Guide		W11456626	Left Hand		W10534155	Grey
	W11647519	Energy Guide		W11456625	Right Hand	23	M0108107	Clamp, Tube
	W11623342	Tech Sheet	13	12991604	Screw	24	12990504	Screw
2	W11651067	Block, Fill Tube	14	12992403	Screw	25	W10141645	Screw
3	12698403	Plate, Pivot	15		Hinge, Center	26	12726003	Cover, Water Line
4	W11534848	Gasket			Left Hand	27	W10208593	Guard, Dual Water Valve
5		Assembly, Roller		W10740150	Grey	28	688983	Screw
	W10515763	Left Hand	16		Hinge, Center	29	W10317076	Board, HV Control
	W10515762	Right Hand			Right Hand	30	W10211855	Cover, Unit
6	W10528513	Sweep, Dual Tube		W10740146	Grey	31	W11046934	Assembly, Fill Tube (Includes Tubing, Fill Tube Elbow, Tube Insert and Clamp)
7		Cover, Top Hinge	17		Cover, Corner			
		Right Hand		12587703AP	Grey			
	12962302AP	Grey	18	W11446816	Valve, Water Inlet			
8	12961602	Cover, Control Box	19		Cabinet (Not A Serviceable Part)	32	12957702SP	Lid, HV Box
9	12992602	Screw	20	W10709365	Screw	33	W10141622	Brake, Roller
10		Cover, Top Hinge	21		Shim, Top Hinge			
		Left Hand		12999501	Left Hand			
	W10337648	Grey		12999502	Right Hand			
11	W10673840	Screw (Stainless)						

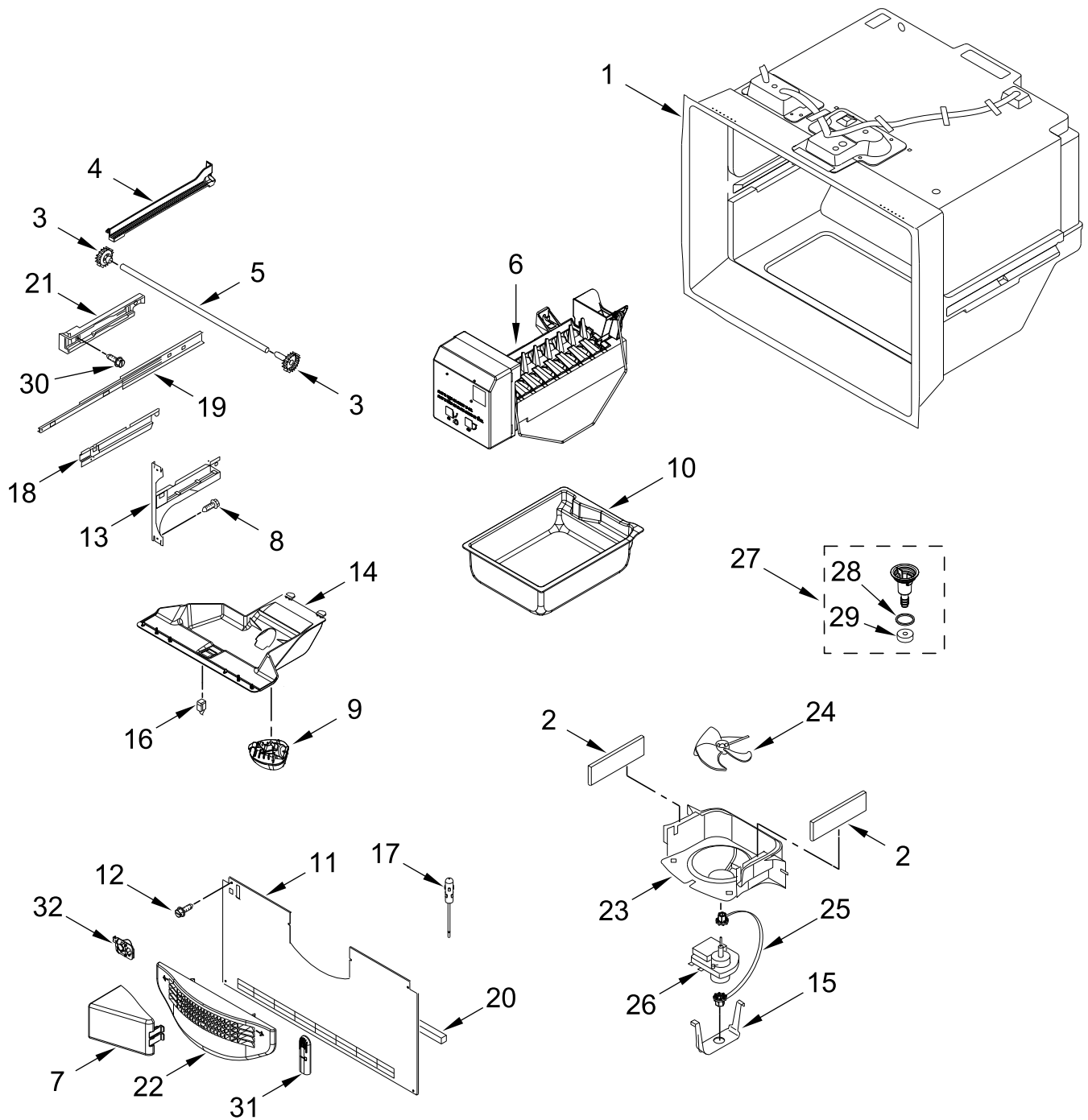
REFRIGERATOR LINER PARTS



REFRIGERATOR LINER PARTS

<u>Illus. No.</u>	<u>Part No.</u>	<u>Description</u>	<u>Illus. No.</u>	<u>Part No.</u>	<u>Description</u>	<u>Illus. No.</u>	<u>Part No.</u>	<u>Description</u>
1		Liner (Not A Serviceable Part)	13	12806701	Cover, Damper	24	12568001	Cover, Filter
			14	13012402	Insulation, Damper	25	W11256384	Filter, Water
2	W10464764	Module, Light	15	W10594329	Control, Damper	26	12664501SP	Cartridge, Bypass
3	W10746278	Overlay	16	W11437003	Facade, Dispenser (Top)	27	B8390302	Clip, Facade
4	W10464767	Module, Control				28	12791416	Thermistor
5	W11593757	Board, Control	17	61006182	Union, Water	29	W11031909	Guide, Waterline
6	W10847853	Switch, Rocker	18	W10163893	Insulation, Tank	30	W11495787	Switch, Limit
7	W11132917	Cover, Light	19	W11097710	Tank, Water	31	W11437528	Plate, Switch
8	W10443023	Housing, Light	20	W11551461	Facade, Dispenser	32	W11437004	Foam, Plate Switch
9	W11468934	Light Module, LED	21	12990302	Screw			FOLLOWING PARTS NOT ILLUSTRATED
10	12251001	Clip, Water Tube	22	12704801	Plate, Filter			
11	12806801	Insert, Damper Cover	23	W11308018	Head, Water Filter (Includes Bypass Cartridge)	W11609495		Harness, Fresh Food Control (Includes Thermistor)
12	12990604	Screw						

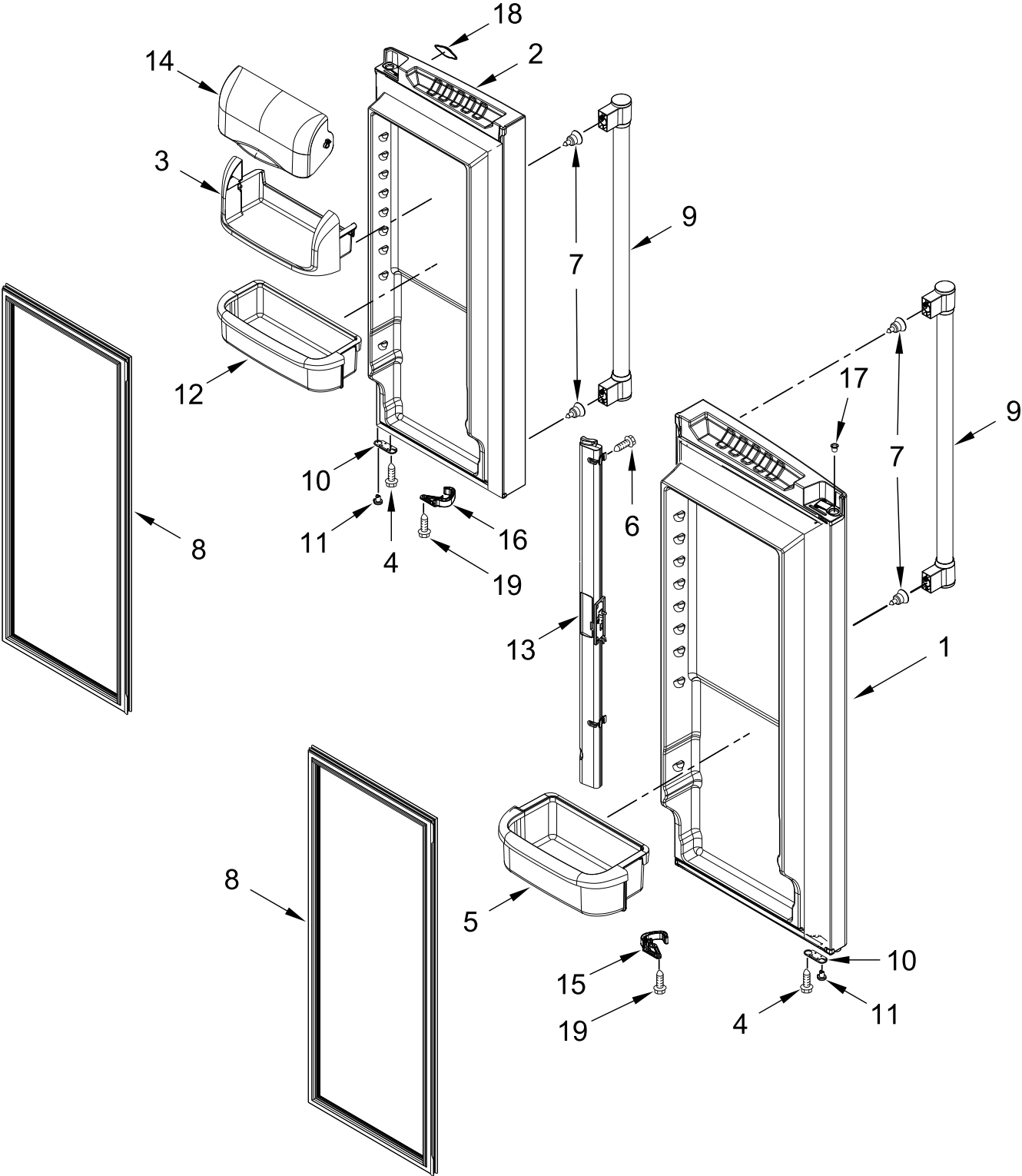
FREEZER LINER & ICEMAKER PARTS



FREEZER LINER & ICEMAKER PARTS

<u>Illus. No.</u>	<u>Part No.</u>	<u>Description</u>	<u>Illus. No.</u>	<u>Part No.</u>	<u>Description</u>	<u>Illus. No.</u>	<u>Part No.</u>	<u>Description</u>
1		Liner (Not A Serviceable Part)	13		Bracket, Door	23	13057901	Shroud, Evaporator Fan
				W10330994	Left Hand			
2	A3189392	Gasket, Foam		W10330995	Right Hand	24	2169142	Blade, Fan
3	12002497	Gear	14	W10277025	Module, Light	25	W10150583	Grommet, Fan Motor
4		Rack, Side	15	13058002	Clip, Evaporator Motor	26	13062901	Motor, Evaporator
	W11310677	Left Hand	16	W10847849	Switch, Light	27	W10662407	Assembly, Drain Funnel
	W11310678	Right Hand	17	12791419SP	Thermistor			
5	W10802332	Shaft, Rack	18		Cradle, Basket	28	M0500703	Seal
6	W11456887	Assembly, Icemaker (Complete)		W10281115	Left Hand	29	B8381501	Gasket, Drain
				W10281116	Right Hand	30	12990501	Screw
7	W10157765	Diverter, Air	19	W11404724	Slide, Door	31	12815301	Cover, Thermistor
8	12990521	Screw	20	A3189396	Gasket	32	W11341630	Guide, Fill Tube
9	W11468934	Light Module, LED	21		Adapter, Side			
10	W10171529N	Pan, Ice		W10284692	Left Hand			
11	W10308416	Cover, Evaporator		W10284693	Right Hand			
12	12990511	Screw	22	13024803	Grille, Freezer Air			

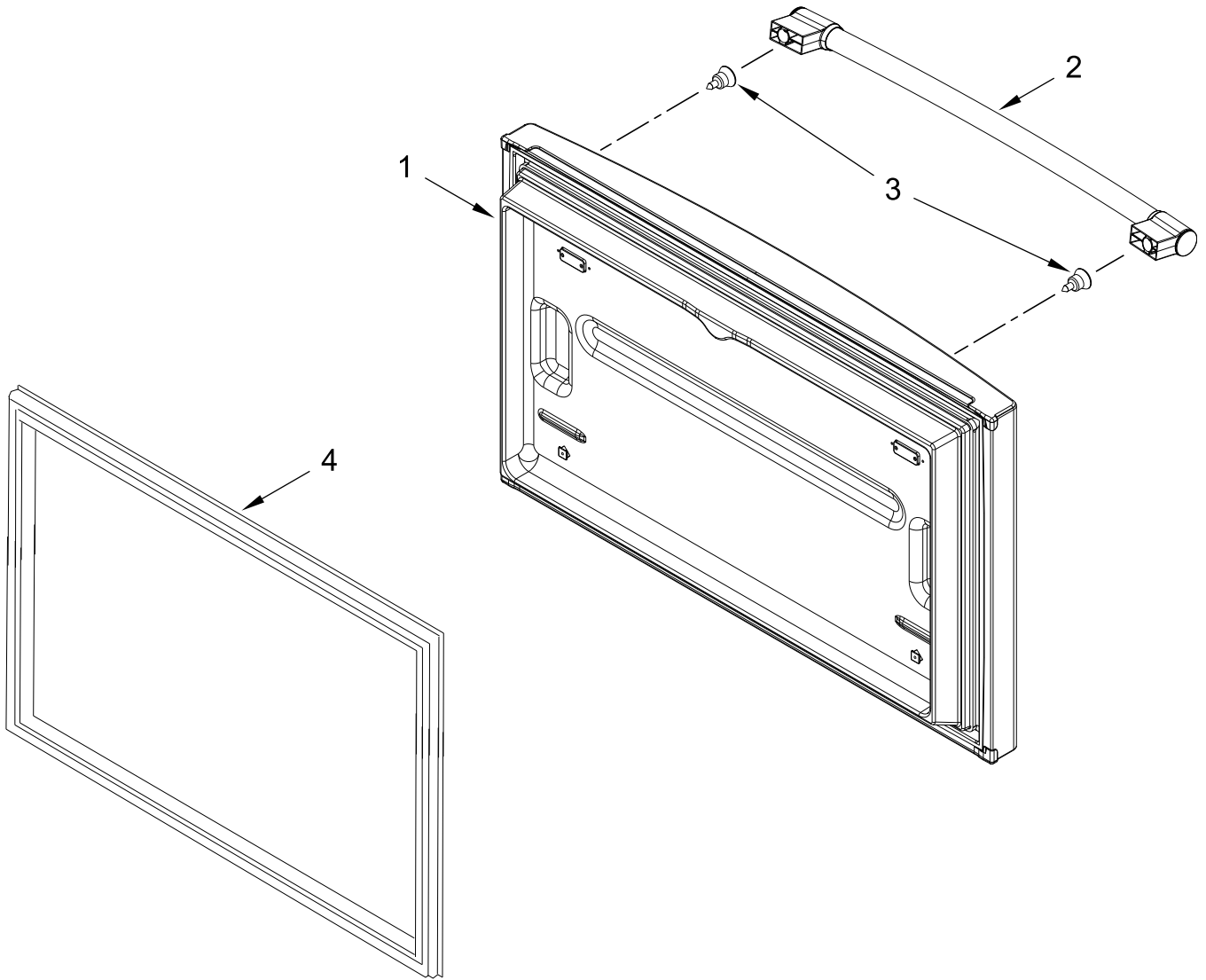
REFRIGERATOR DOOR PARTS



REFRIGERATOR DOOR PARTS

<u>Illus. No.</u>	<u>Part No.</u>	<u>Description</u>	<u>Illus. No.</u>	<u>Part No.</u>	<u>Description</u>	<u>Illus. No.</u>	<u>Part No.</u>	<u>Description</u>
1		Door, Refrigerator	8		Gasket, Door	15		Latch, Door Closer
		Left Hand		W10830162	Grey			Left Hand
	W11622647	Stainless	9		Handle, Door		W10833741	Grey
2		Door, Refrigerator		W10838130	Stainless	16		Latch, Door Closer
		Right Hand	10		Stop, Door			Right Hand
	W11377201	Stainless		12968202AP	Grey		W10833739	Grey
3	12369502SP	Tray, Dairy	11		Closure, Door	17	12996601	Clip, Bushing
4	12990504	Screw		12028505AP	Grey	18	W10612926	Badge
5	W10371194	Bucket, Medium	12	W10289497	Bucket, Gallon	19	12990518	Screw
6	12990204	Screw	13		Mullion, Door			
7	W11328753	Screw		12722803APN	Grey			
			14	12804701SP	Door, Dairy			

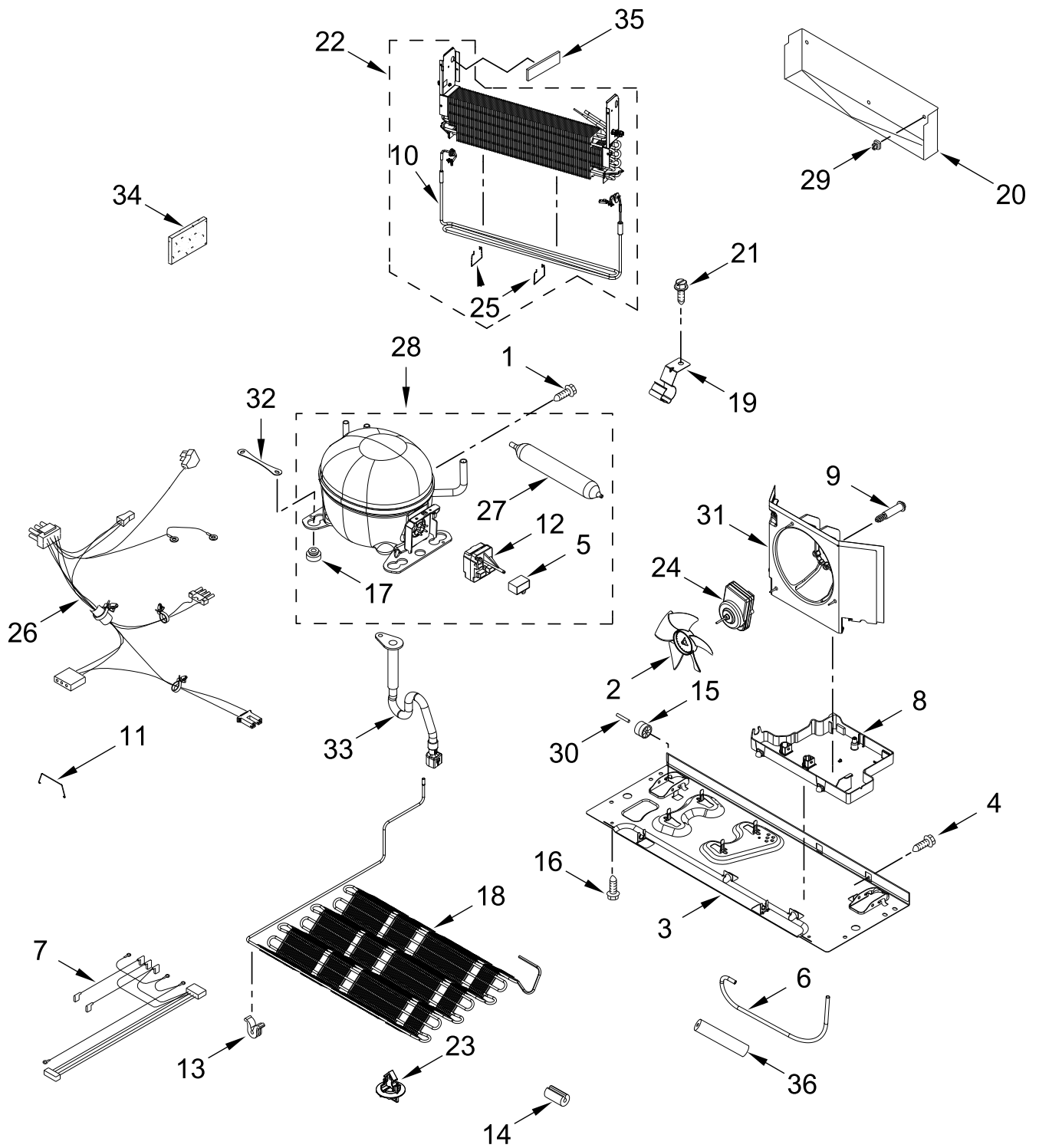
FREEZER DOOR PARTS



FREEZER DOOR PARTS

<u>Illus.</u> <u>No.</u>	<u>Part No.</u>	<u>Description</u>	<u>Illus.</u> <u>No.</u>	<u>Part No.</u>	<u>Description</u>	<u>Illus.</u> <u>No.</u>	<u>Part No.</u>	<u>Description</u>
1	W11377193	Door, Freezer Stainless	2	W10838132	Handle, Door Stainless	4	W10443320	Gasket, Door Grey
			3	W11328753	Screw			

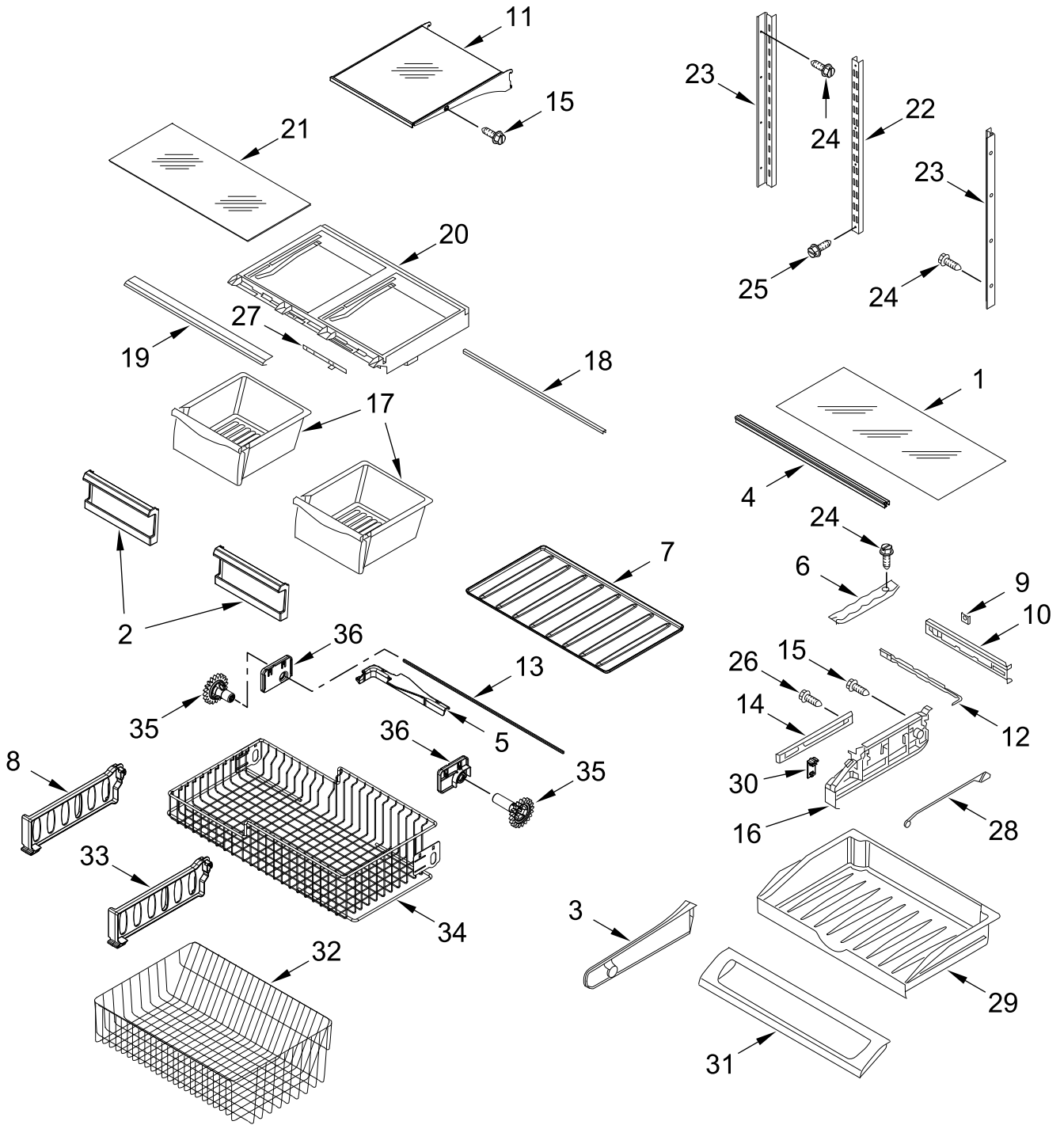
UNIT PARTS



UNIT PARTS

<u>Illus.</u> <u>No.</u>	<u>Part No.</u>	<u>Description</u>	<u>Illus.</u> <u>No.</u>	<u>Part No.</u>	<u>Description</u>	<u>Illus.</u> <u>No.</u>	<u>Part No.</u>	<u>Description</u>
1	12992301	Screw	19	W10281329	Clip, Drier	28	W11484639	Compressor
2	12825803	Blade, Fan	20	W11337767	Tray, Drip			(Also Order the Following Lokring Parts)
3	W10480111	Basepan	21	12990701	Screw			
4	12990511	Screw	22	W11515437	Assembly, Evaporator and Heater	W11504416	8.5/6 NR MS 00	(Suction Tube to Compressor)
5	W10350564	Capacitor				W11504431	7/5 NR MS 00	(Discharge Tube to Compressor)
6	W11566588	Tube, Suction				W11506621	6 NK MS 00	(Charging Tube to Compressor)
7	W11305540	Harness, Evaporator Heater				W11506635	Tube, Charging (1/4 in w/ Schrader Valve)	
8	W10655368	Pan, Drain		W11504423	8/2 NR AL 00			
9	W10622701	Screw			(Capillary Tube to Evaporator)			
10	W11287565	Heater, Defrost						
11	W11379613	Strap, Bale		W11504415	8.5/8 NR MS 00			
12	W11359985	Device, Start			(Suction Line to Evaporator)			
13	W10137529	Grommet, Condenser	23	W10815863	Clip, Condenser			
14	2319835	Grommet, Condenser	24	W11505534	Motor, Condenser Fan	29	10623002	Clip, Evaporator
15	12477102	Roller	25	W11380964	Clip, Heater	30	12477202	Axle, Roller
16	12992101	Screw	26	W11525278	Harness, Unit (Includes Power Cord)	31	W11463236	Shroud, Condenser Fan
17	10835903	Grommet	27	W10805035	Drier (Service Drier Without Dye)	32	W10236396	Strap, Compressor
18	W11540543	Condenser (Also Order the Following Lokring Parts)			(Also Order the Following Lokring Parts)	33	W10622099	Extension, Drain Tube
	W11506623	5 NK MS 00 (Discharge Tube to Condenser)		W11504445	5/4 NR MS 00 (Heat Loop to Drier)	34	2169104	Insulation, Sound Deadening
	W11504432	6/5 NR MS 00 (Heat Loop to Condenser)		W11504447	5/1.8 NR MS 00 (Capillary Tube to Drier)	35	W11244122	Gasket, Foam
						36	W10303521	Sleeve
								REFRIGERANT CHARGE
								55 grams (R600A)

SHELF PARTS



SHELF PARTS

<u>Illus. No.</u>	<u>Part No.</u>	<u>Description</u>	<u>Illus. No.</u>	<u>Part No.</u>	<u>Description</u>	<u>Illus. No.</u>	<u>Part No.</u>	<u>Description</u>
1	W10893771	Glass, Pantry	15	12990504	Screw	30	12655204	Knob, Temperature Control
2	12802602SP	Front, Crisper Pan	16		Endcap, Pantry	31	12656813	Lid, Pantry
3	12709301	Divider, Pantry		12656105	Left Hand	32	W11115782	Basket, Lower
4	W10528933	Support, Glass (Includes Pantry Brace)		12656018	Right Hand	33	W10150061	Divider, Basket (Lower)
5	W10149389N	Lift, Bail Arm	17	12531105SP	Pan, Crisper	34	W11115548	Basket, Freezer (Upper)
6	12531901	Track, Deli Drawer	18	W10832723	Brace, Crisper Cover	35		Gear
7	12727304	Tray, Lower Basket	19	W10231485N	Trim, Crisper		W10474716	Left Hand
8	W10241046	Divider, Basket (Upper)	20	12531202SP	Frame, Crisper		W10474715	Right Hand
9	12656901	Gasket, Pantry	21	12204821	Glass, Crisper	36		Mount, Gear
10	12656202	Housing, Control	22	W10273463	Ladder, Center		W10348259	Left Hand
11	W10878956	Assembly, Shelf	23	W10569182	Ladder, Side		W10348260	Right Hand
12	12655402	Slide, Temperature Control	24	12990513	Screw			
13	W10802333	Shaft, Rack	25	W10215666	Screw			
14	W10235370	Glide, Pantry	26	12990512	Screw			
			27	12530805SP	Slide, Humidity Control			
			28	12655303	Bar, Temperature Control			
			29	W11427806	Drawer, Pantry			

OPTIONAL PARTS

<u>Illus.</u> <u>No.</u>	<u>Part No.</u>	<u>Description</u>
		TOUCH-UP PAINT
W10134625		Apollo Grey
W10917540		Midnight Grey
		MISCELLANEOUS
212643		Sealer, Gum (4 Feet)
479502		Tape, Vinyl (3/4 x 108")
876370		Insulation (2 Pieces, 3" x 24" x 48")
876305		Insulation Kit (14 Pieces, 3" x 24" x 48")
978941		Insulation, Fiberglass (63 1/2" x 35 1/2" x 2 5/8")
876029		Kit, Foam Slab (30" x 32 1/2" x 1 1/2")
505587		Sealer, Mastic (1 Qt)
503695		Cork, Sealer
542638		Grease, Silicone (1/2 Oz.)
542639		Cement, Alumilastic (1 1/4 Oz.)
833938		Kit, Terminal Connector
8003RP		Kit, Water Inlet
		TORX SCREW WRENCH
1117510		Torx Key