

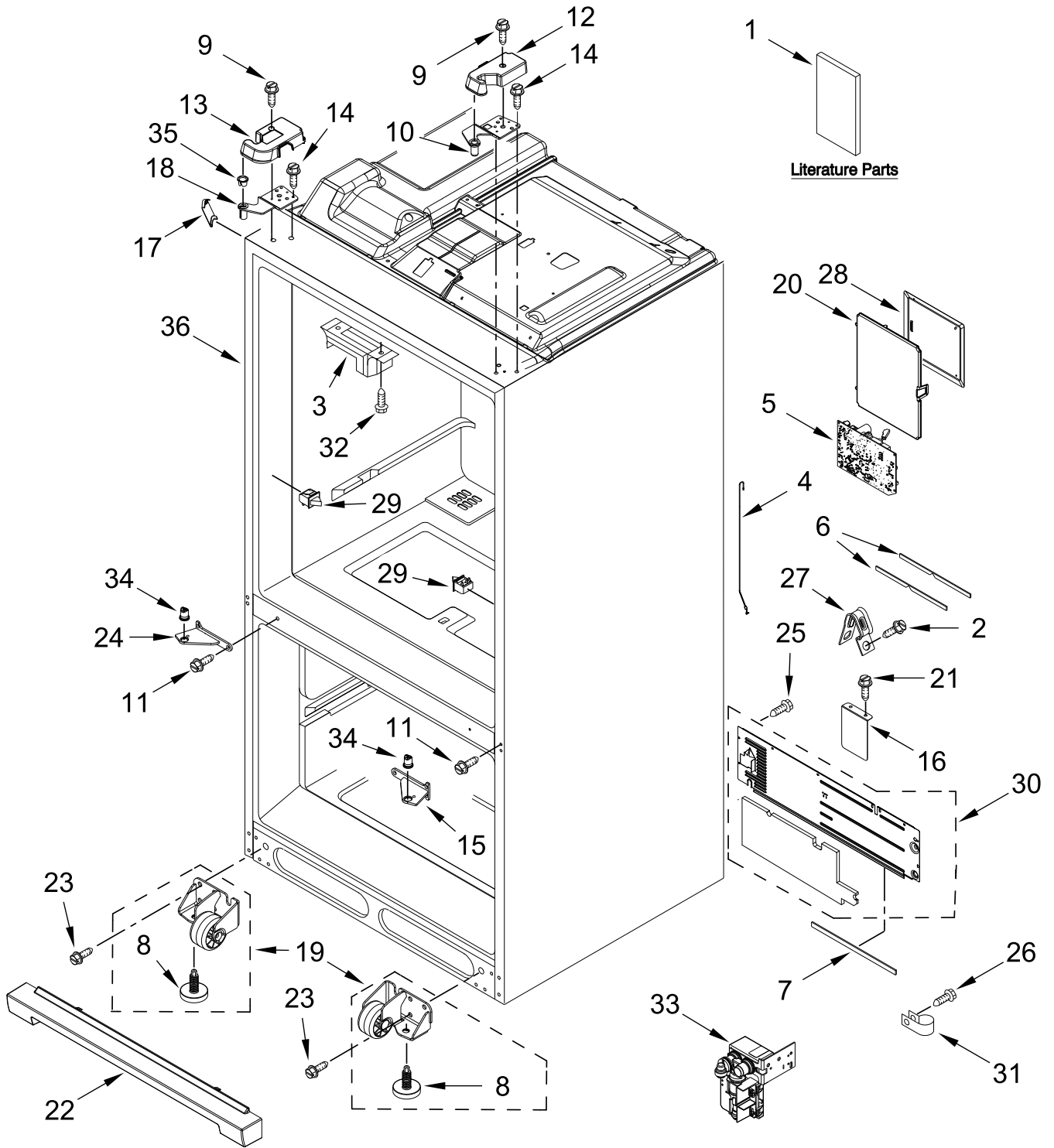


**REFRIGERATOR**

**MODELS:**

MFT2772HEZ04 (Stainless Steel)

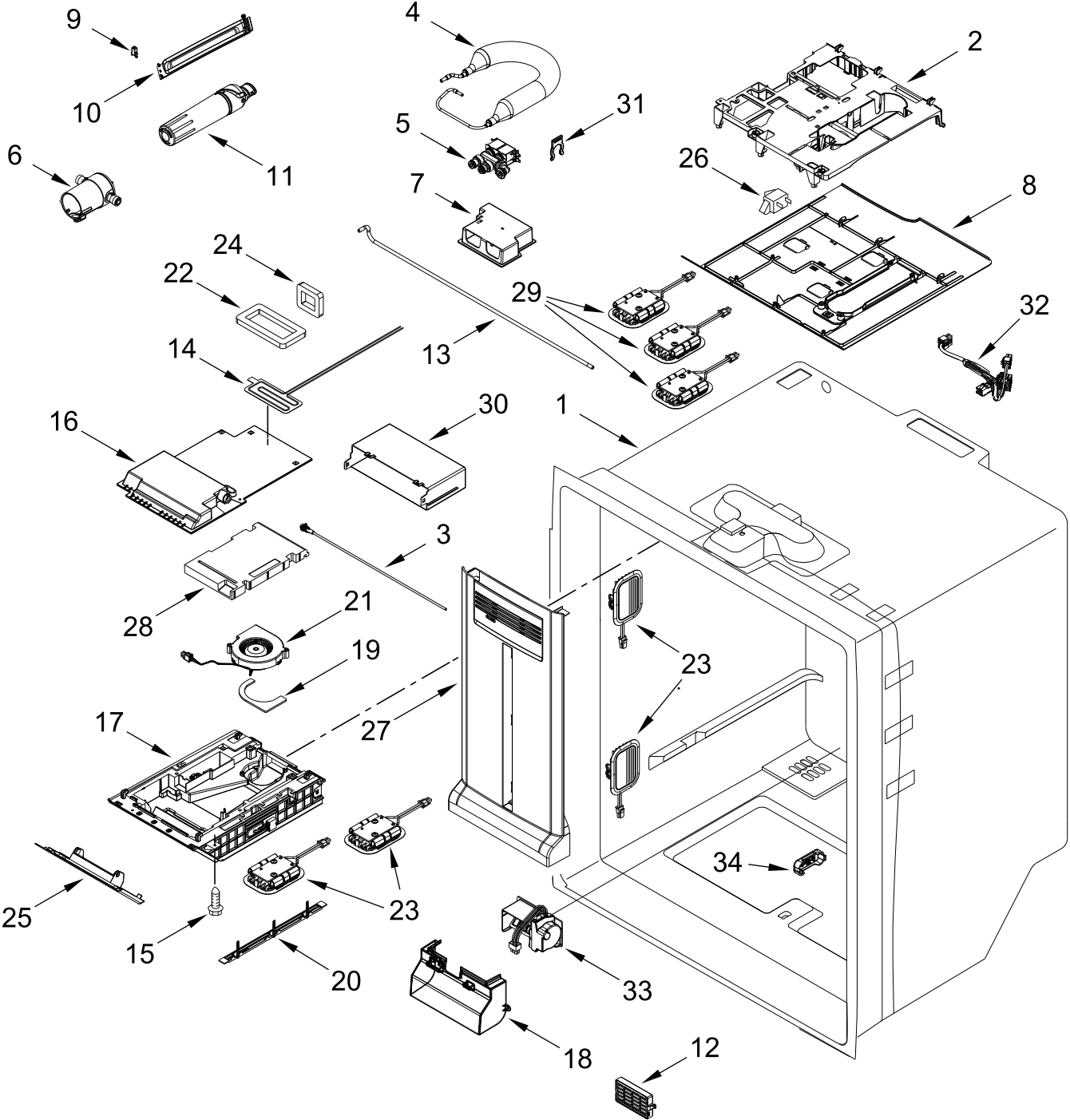
# CABINET PARTS



# CABINET PARTS

<u>Illus. No.</u>	<u>Part No.</u>	<u>Description</u>	<u>Illus. No.</u>	<u>Part No.</u>	<u>Description</u>	<u>Illus. No.</u>	<u>Part No.</u>	<u>Description</u>
1		Literature Parts	14	W10731474	Screw	26	12990511	Screw
	W11502338	Owners Manual	15		Hinge, Center (Right)	27	549193	Clamp, Power Cord
	W11227414	Energy Guide		W10248703	Grey	28	W10754144	Cover, Control Box
	W11662357	Tech Sheet	16	W11578005	Cover, Roller	29	W10847849	Switch, Light
2	W10141645	Screw	17		Cover, Corner	30	W11364644	Assembly, Unit Cover
3	W10344432	Block, Pivot		12587703AP	Grey	31	M0108107	Clamp, Tube
4	W11296599	Tube, Water	18		Hinge, Top	32	12990302	Screw
5	W11161172	Board, Control		W11456644	Left Hand	33	W11460084	Valve, Water
6	W10415341	Gasket, HV Box	19		Assembly, Roller	34	W10505294	Coupler, Door
7	W11534848	Gasket		W10515763	Left Hand	35	W10212137	Retainer, Door
8	W10141622	Brake, Roller		W10515762	Right Hand	36		Cabinet (Not a Servicable Part)
9	12992602	Screw	20	W10768379	Lid, HV			FOLLOWING PARTS NOT ILLUSTRATED
10		Hinge, Top	21	12990702	Screw			
	W11456643	Right Hand	22		Grille, Toe			
11	W10673840	Screw (Stainless)		W10637671	Grey		W11306925	Harness, Dual Valve
12		Cover, Right Hinge	23	W10709365	Screw			
	W10407158	Grey	24		Hinge, Center (Left)			
13		Cover, Left Hinge		W10248706	Grey			
	W10471618	Grey	25	W10141645	Screw			

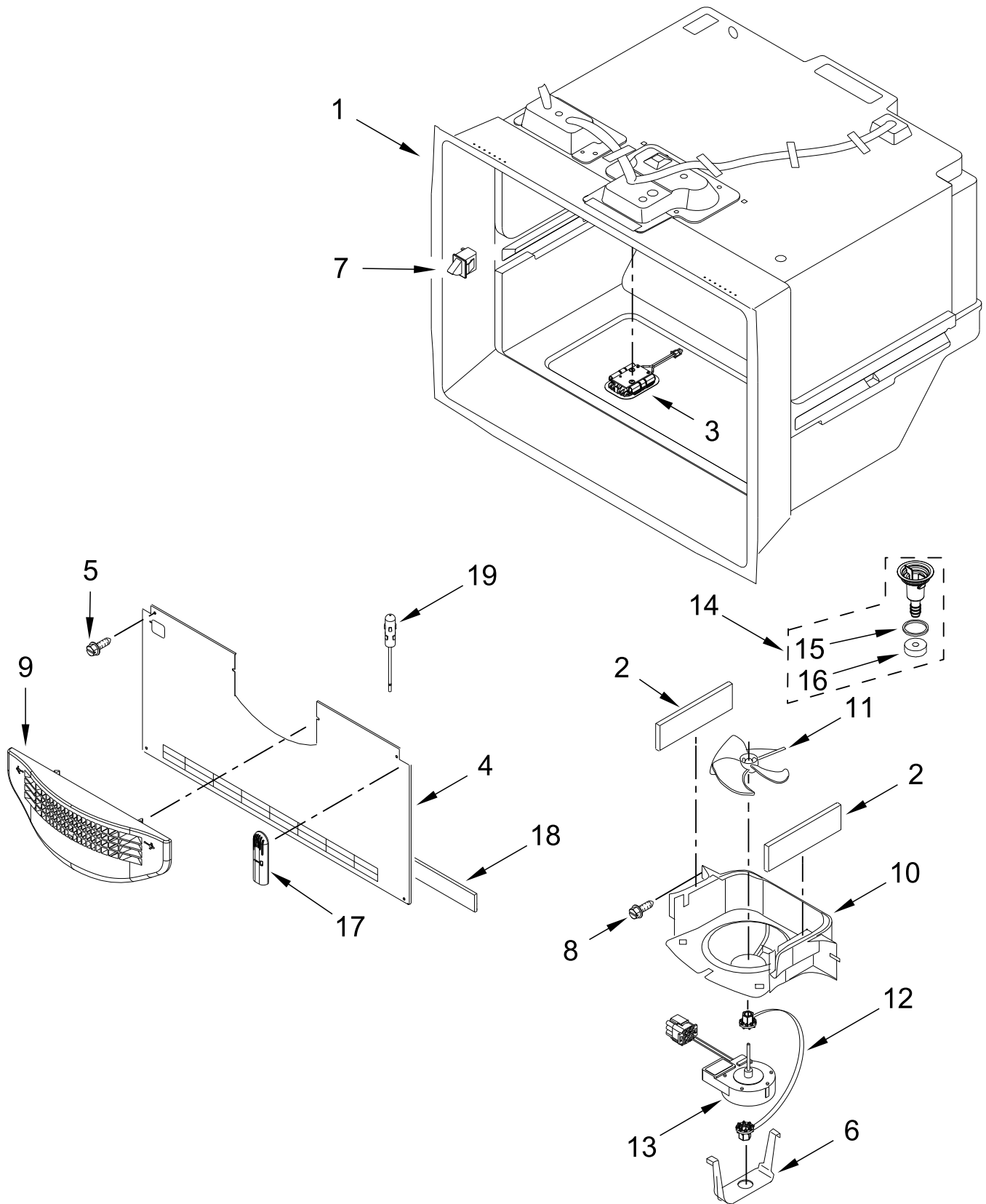
# REFRIGERATOR LINER PARTS



# REFRIGERATOR LINER PARTS

<u>Illus. No.</u>	<u>Part No.</u>	<u>Description</u>	<u>Illus. No.</u>	<u>Part No.</u>	<u>Description</u>	<u>Illus. No.</u>	<u>Part No.</u>	<u>Description</u>
1		Liner (Not A Serviceable Part)	14	W10706850	Heater, Fill Tube	29	W11234027	Harness, LED Wire (Includes LED lights)
2	W11281629	Housing, Water System	15	12990518	Screw	30	W10635022	Adapter, Icebox
3	W11613057	Tube, Fill	16	W10598013	Cover, Icebox	31	W11175631	Locking Ring (5/16)
4	W11296598	Reservoir, Water (Also Order Wire Tie Part 8567668)	17	W11547436	Assembly, Icebox (Foamed)	32	W11369503	Wire Assembly, Jumper
5	W11255718	Valve, Dual Water	18	W10530312	Cover, Damper	33	W10479155	Damper, Control
6	W11293954	Housing, Water Filter	19	W10392172	Gasket, Fan	34	W10438957	Cover, Thermistor
7	W11391457	Enclosure, Water Valve	20	W10505516	Trim, Icebox			FOLLOWING PARTS NOT ILLUSTRATED
8	W10669663	Cover, Waterbox	21	W10833801	Fan, Icebox	W11298842		Wire Assembly, Ice Box
9	2223877	Latch, Push	22	W10280988	Gasket, Rear Supply			
10	W10277949	Door, Filter Access	23	W11228040	Assembly, LED Light Module			
11	W10680605	Filter, Water	24	W10320706	Gasket, Rear Return			
12	W10315189	Filter, Air	25	W11504346	Assembly, Fascia and Heater			
13	W11658811	Waterline, Valve to Hinge	26	W10847853	Switch, Rocker			
			27	W11373854	Assembly, Air Tower			
			28	W10280983	Insulation			

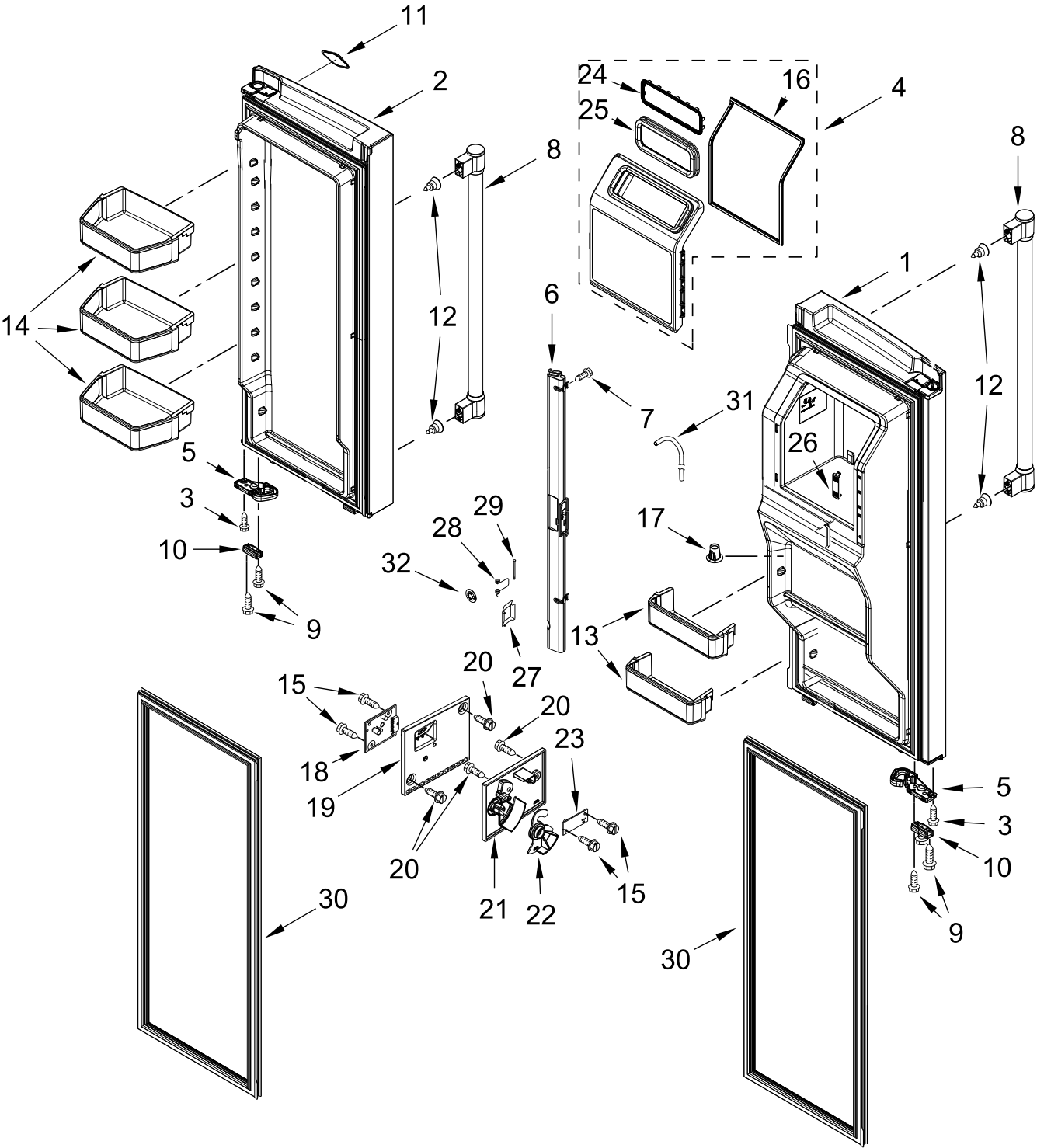
# FREEZER LINER PARTS



# FREEZER LINER PARTS

<u>Illus.</u> <u>No.</u>	<u>Part No.</u>	<u>Description</u>	<u>Illus.</u> <u>No.</u>	<u>Part No.</u>	<u>Description</u>	<u>Illus.</u> <u>No.</u>	<u>Part No.</u>	<u>Description</u>
1		Liner (Not A Serviceable Part)	8	12990504	Screw	14	W10503218	Assembly, Drain Funnel
2	A3189392	Gasket, Foam	9	W10496613	Grille, Air (Freezer)	15	M0500703	Seal
3	W11228040	Assembly, LED Light Module	10	W10363507	Shroud, Evaporator Fan	16	B8381501	Gasket, Drain
4	W11408170	Cover, Evaporator (Freezer)	11	12986101	Blade, Fan	17	W10405166	Cover, Thermistor
5	12990511	Screw	12	12951101	Grommet, Fan Motor	18	W10531268	Gasket, Dual Evaporator
6	12956601	Clip, Fan Motor	13	W11402610	Motor, Evaporator (Includes Harness, Thermistor, and Defrost Thermostat)	19	W10280385	Thermistor
7	W10847853	Switch, Rocker						

# REFRIGERATOR DOOR PARTS

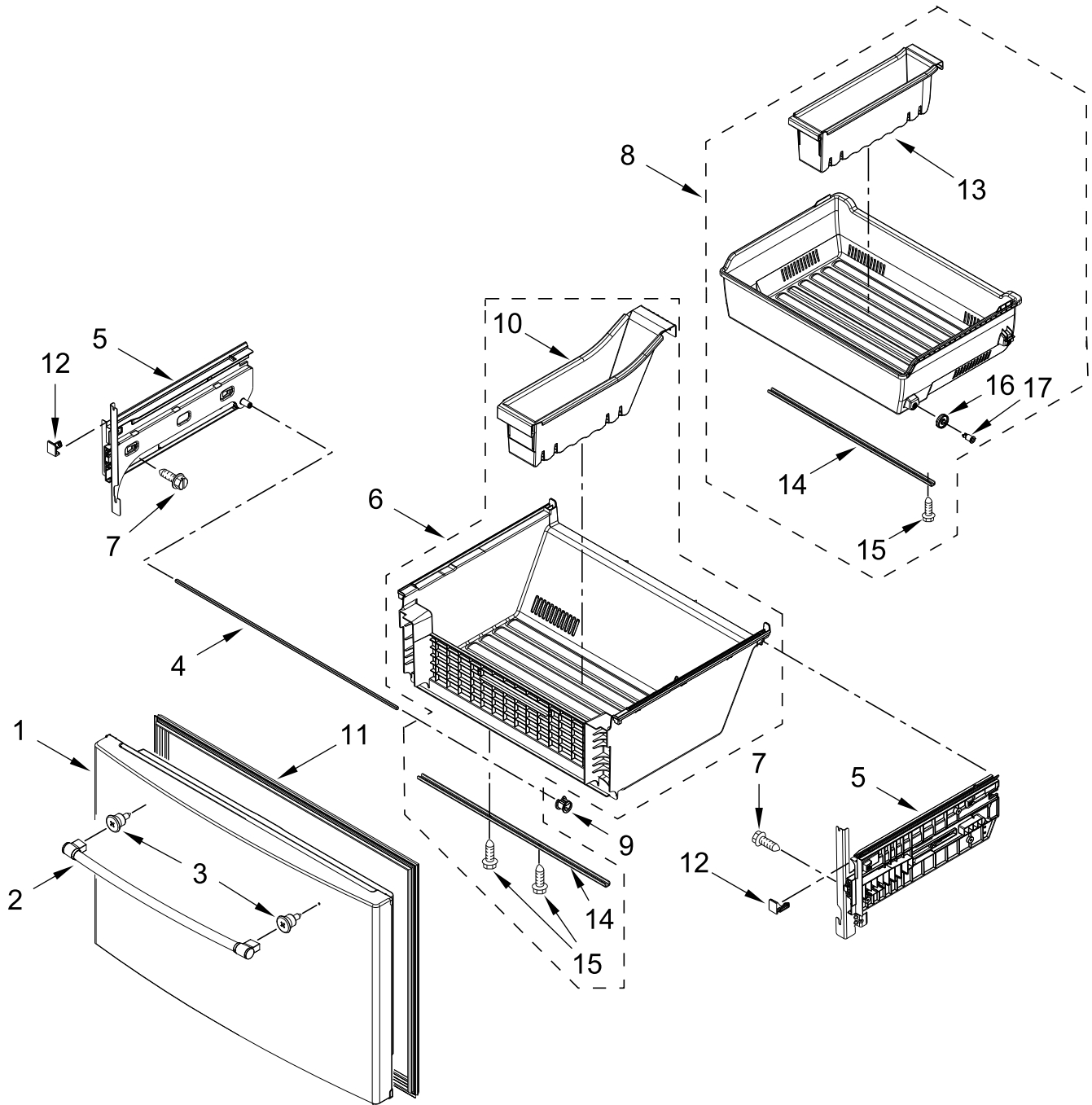




# REFRIGERATOR DOOR PARTS

<u>Illus.</u> <u>No.</u>	<u>Part No.</u>	<u>Description</u>	<u>Illus.</u> <u>No.</u>	<u>Part No.</u>	<u>Description</u>	<u>Illus.</u> <u>No.</u>	<u>Part No.</u>	<u>Description</u>
1		Door, Left	11	W10612926	Badge	25	W10347087	Gasket, Ice Chute
	W11405217	Stainless	12	W11328753	Screw	26	W10646855	Vent, Thermistor
2		Door, Right	13	W10555427	Trivet, 2 Liter	27	W10258520	Door, Emitter
	W11377901	Stainless	14	W10519670	Bucket, Gallon	28	2198635	Spring, Door
3	W10238319	Screw	15	12993001	Screw	29	W10331749	Pin, Door
4	W10549593	Assembly, Ice Door	16	W10347085	Gasket, Ice Compartment Door	30		Gasket, Door
5		Latch, Door	17	W11315302	Clip, Tube		W10873938	Grey
	W10712952	Left Hand	18	W10882532	Board, Receiver Circuit	31	W10499015	Tube, Water
	W10712953	Right Hand				32	3406121	Nut, Push-on
6		Mullion, Door	19	W10258510	Cover, Receiver			
	W10698199	Grey	20	3400065	Screw (Stainless)			
7	12990204	Screw	21	W10258502	Cover, Emitter			
8		Handle, Door	22	W10258540	Slide, Icemaker Shut Off			
	W10886562	Stainless	23	W10832970	Board, Emitter Circuit			
9	12990504	Screw	24	W10400825	Retainer, Ice Chute			
10		Bumper, Door						
	W10407188	Grey						

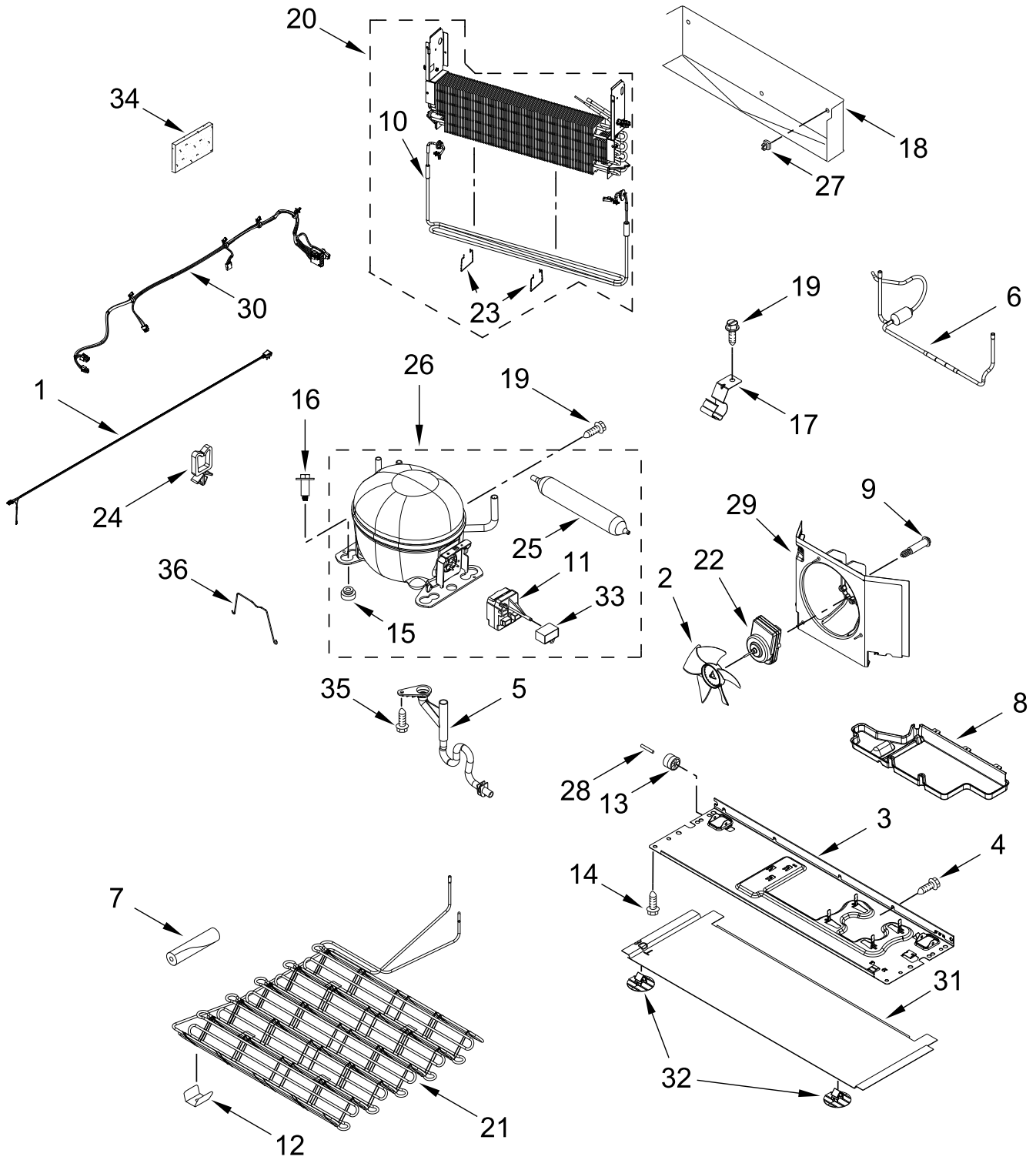
# FREEZER DOOR PARTS



# FREEZER DOOR PARTS

<u>Illus.</u> <u>No.</u>	<u>Part No.</u>	<u>Description</u>	<u>Illus.</u> <u>No.</u>	<u>Part No.</u>	<u>Description</u>	<u>Illus.</u> <u>No.</u>	<u>Part No.</u>	<u>Description</u>
1		Door, Freezer	7	12990518	Screw	14	W10469177	Support, Pan
	W11377893	Stainless	8	W10704090	Bin, Upper	15	489443	Screw (Stainless)
2		Handle, Door	9	W10709748	Clip, Shaft	16	W10248555	Roller, Pan
	W10886552	Stainless	10	W10507444	Divider, Lower	17	W10643690	Axle, Roller
3	W11328753	Screw	11		Gasket, Door			
4	W10503522	Shaft		W10248749	Grey			
5		Assembly, Bracket	12		Stop, Pan			
	W10795770	Left Hand		W10485096	Left Hand			
	W10795768	Right Hand		W10485089	Right Hand			
6	W10594047	Assembly, Lower Pan	13	W10485654	Divider, Upper			

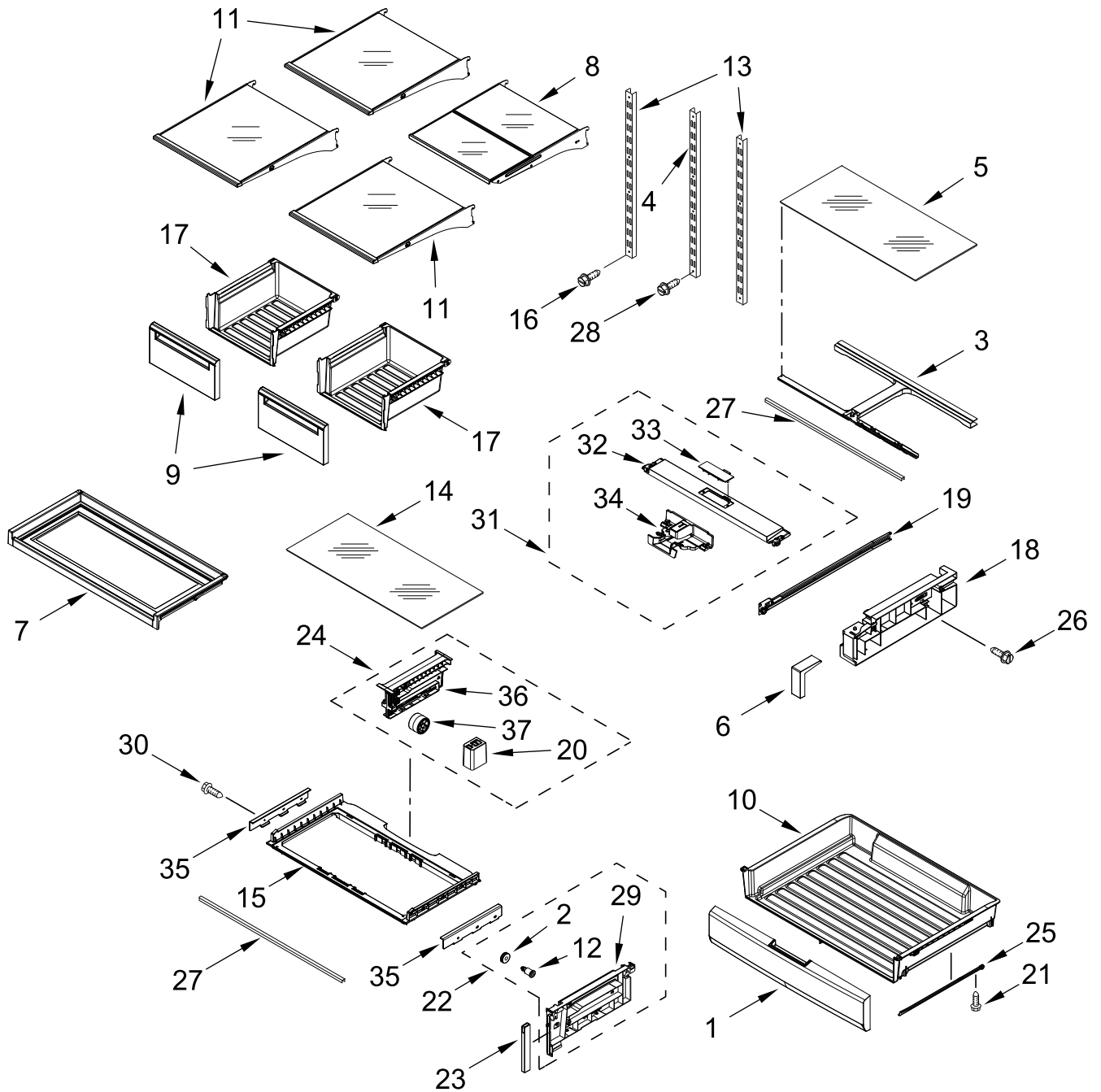
# UNIT PARTS



# UNIT PARTS

<u>Illus.</u> <u>No.</u>	<u>Part No.</u>	<u>Description</u>	<u>Illus.</u> <u>No.</u>	<u>Part No.</u>	<u>Description</u>	<u>Illus.</u> <u>No.</u>	<u>Part No.</u>	<u>Description</u>
1	W10738415	Cord, Power	21	W11411956	Condenser	26	W11412045	Compressor
2	2188935	Blade, Fan			(Also Order the			(Also Order the
3	W11411853	Baseplate, Compressor			Following Lokring			Following Lokring
					Parts)			Parts)
4	12990511	Screw		W11504445	5/4 NR MS 00		W11504431	7/5 NR MS 00
5	W11497478	Extension, Drain			(Heat Loop to			(Compressor to
6	W11323444	Tube, Suction			Condenser)			Condenser)
7	W10303521	Sleeve		W11504431	7/5 NR MS 00		W11504415	8.5/8 NR MS 00
8	W10660727	Tray, Evaporator			(Compressor to			(Suction Tube to
9	W10622701	Screw			Condenser)			Compressor)
10	W11553968	Heater, Defrost	22	W11505535	Motor, Condenser Fan		W11506621	6 NK MS 00
11	W10197428	Device, Combination Start (Start Relay and Overload)	23	W11380964	Clip, Heater			(Charging Tube to Compressor)
			24	2223913	Clip			
			25	W10805035	Drier (Service Drier Without Dye)		W11506635	Tube, Charging (1/4 in w/ Schrader Valve)
12	W10248621	Clip, Condenser			(Also Order the	27	10623002	Clip, Evaporator
13	12477102	Roller			Following Lokring	28	12477202	Axle, Roller
14	12992101	Screw			Parts)	29	W10406719	Shroud
15	10835903	Grommet				30	W11306948	Harness, Unit (Includes Power Cord)
16	W11417341	Screw		W11504445	5/4 NR MS 00			
17	W10281329	Clip, Drier			(Heat Loop to Drier)			
18	W11408656	Tray, Drip				31	W10278140	Cover, Condenser (Bottom)
19	W10141625	Screw		W11504447	5/1.8 NR MS 00			
20	W11394387	Assembly, Evaporator and Heater			(Capillary Tube to Drier)	32	W10815861	Clip, Bottom Cover
		(Also Order the Following Lokring Parts)				33	W10350564	Capacitor
	W11504450	4/1.8 NR MS 00 (Capillary Tube to Evaporator)				34	2169104	Insulation, Sound Deadening
	W11506620	8 NK AL 00 (Suction Line to Evaporator)				35	W10141518	Screw
						36	W10174384	Strap, Bale  REFRIGERANT CHARGE
								56 grams (R600a)

# SHELF PARTS



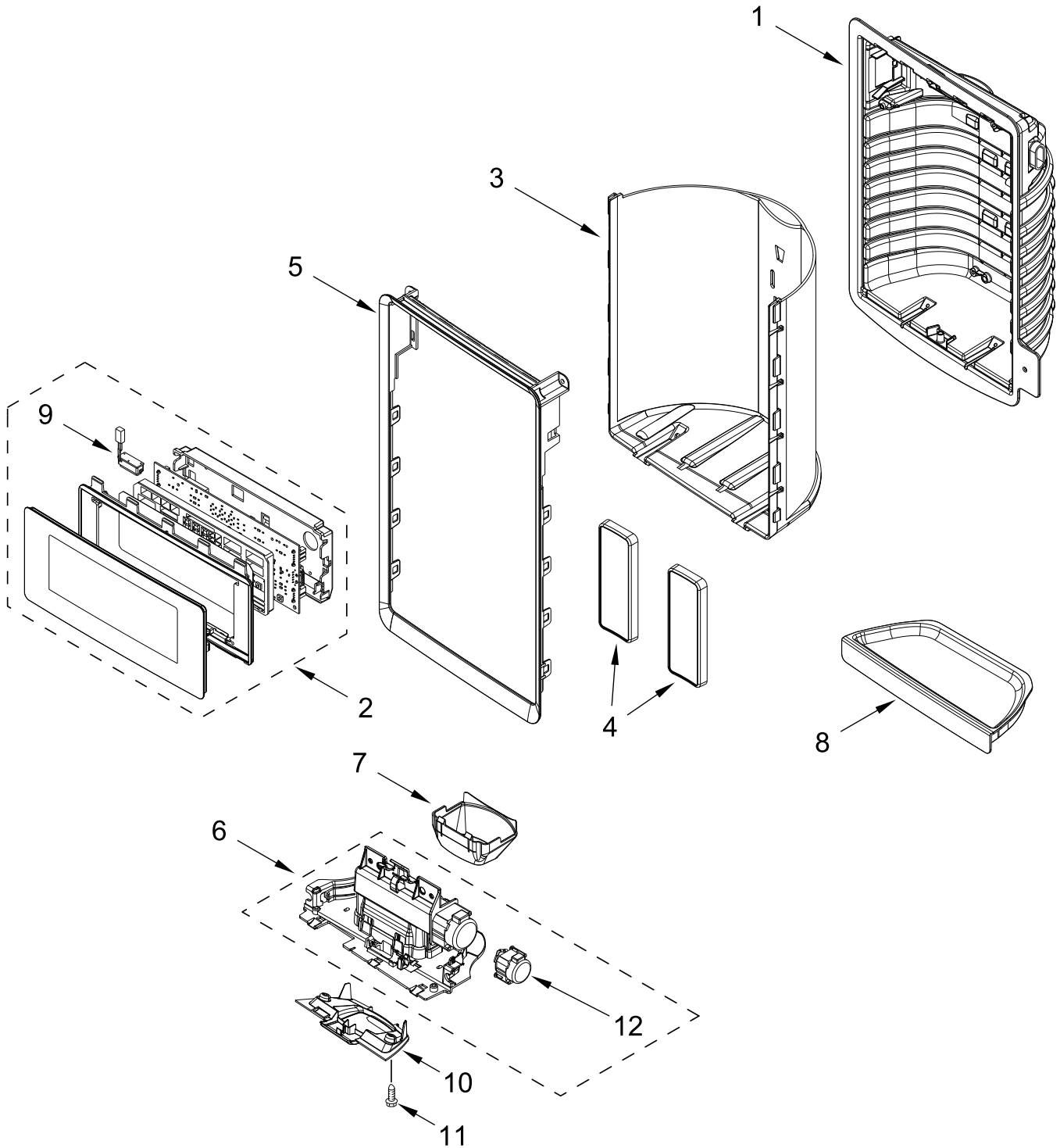
# SHELF PARTS

<u>Illus. No.</u>	<u>Part No.</u>	<u>Description</u>
1	W10559660	Front, Pantry
2	W10248544	Roller, Guide
3	W11124673	Support, Pantry
4	W11658544	Ladder, Center
5	W10248799	Glass, Pantry
6		Front, Sideplate (Pantry)
	W10426775	Left Hand
	W10356979	Right Hand
7	W11460454	Assembly, Metal Shelf Platter (Includes Glass)
8	W10401836	Shelf, Tuck
9	W10524914	Front, Crisper
10	W10498901	Pan, Pantry
11	W10402687	Shelf, Fixed
12	W10257246	Axle, Roller
13	W11658543	Ladder, Side
14	W10248578	Glass, Crisper
15	W11133643	Cover, Crisper
16	12990204	Screw
17	W10410352	Pan, Crisper

<u>Illus. No.</u>	<u>Part No.</u>	<u>Description</u>
18		Sideplate, Pantry
	W10498906	Left Hand
	W11124810	Right Hand
19		Roller Runner, Pantry
	W10508327	Left Hand
	W10508326	Right Hand
20	W10530315	Support, Crisper
21	8281136	Screw
22		Sideplate, Crisper
	W11315531	Left Hand
	W11315533	Right Hand
23	W10488299	Front, Sideplate (Crisper)
24	W10549606	Assembly, Crisper Track
25		Runner, Pantry Roller
	W10508330	Left Hand
	W10508328	Right Hand
26	W10185612	Screw
27	W10236512	Support, Front

<u>Illus. No.</u>	<u>Part No.</u>	<u>Description</u>
28	W10423560	Screw
29		Plate, Crisper
	W11315181	Left Hand
	W11315180	Right Hand
30	W10847999	Screw
31	W10554737	Assembly, Front Pantry Cover
32	W10525200	Cover, Pantry Top
33	W10554281	Housing, Pantry Temperature Control
34	W10512596	Knob, Pantry Temperature Control
35		Rail, Side
	W11133647	Left Hand
	W11133648	Right Hand
36	W10530307	Track, Center
37	W10248789	Roller, Center

# DISPENSER FRONT PARTS

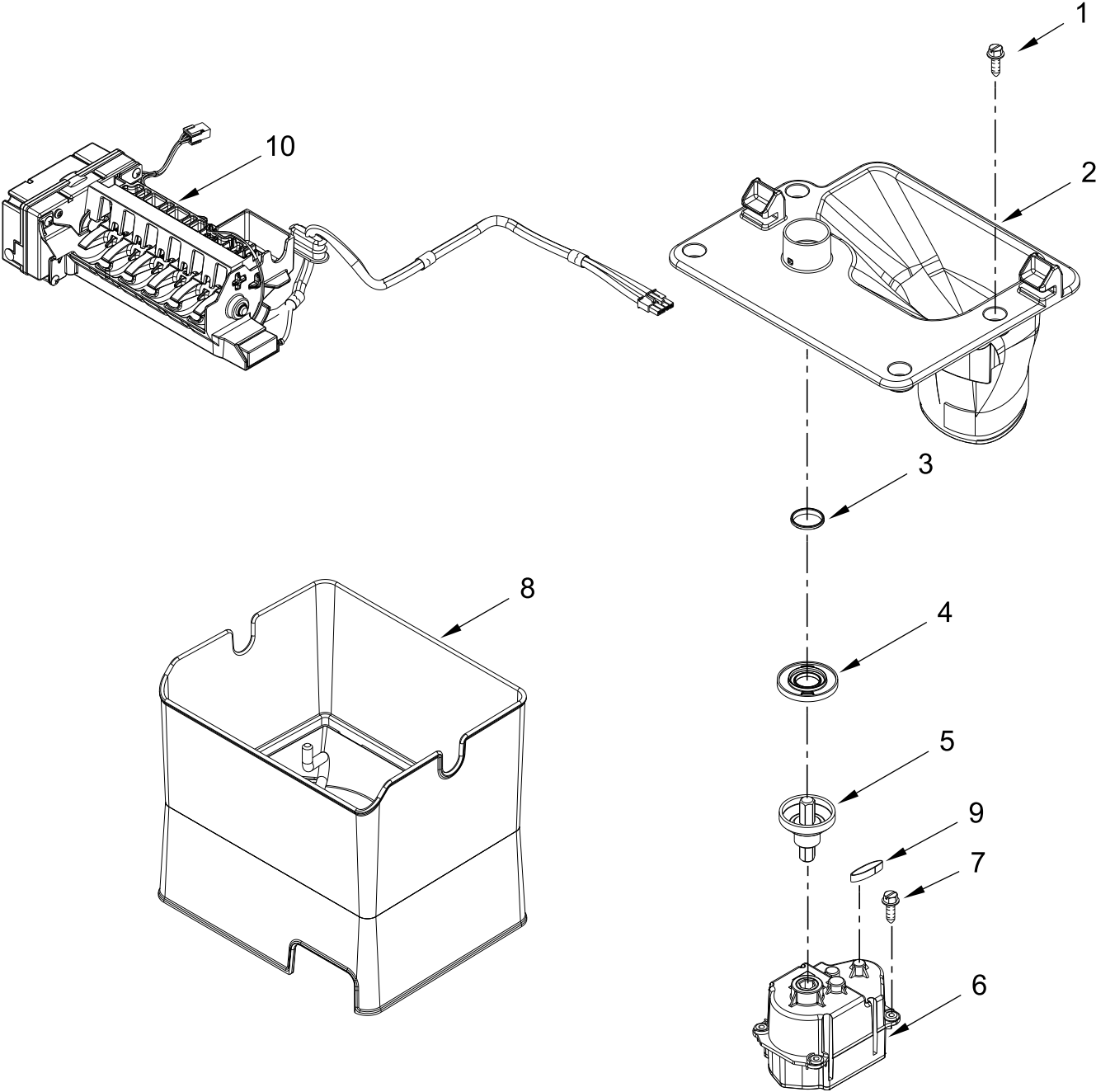




# DISPENSER FRONT PARTS

<u>Illus. No.</u>	<u>Part No.</u>	<u>Description</u>	<u>Illus. No.</u>	<u>Part No.</u>	<u>Description</u>	<u>Illus. No.</u>	<u>Part No.</u>	<u>Description</u>
1		Housing, Dispenser (Not Serviced)	4		Assembly, Pad	9	W10470750	Assembly, LED
				W10436678	Stainless	10	W10549235	Cover, Seperator
2		Assembly, User Interface (Includes Light Feature)	5		Ring, Trim	11	12990513	Screw
				W10587910	Stainless	12	W10205979	Motor, Ice Door
	W11501506	Silver	6	W10577864	Assembly, Seperator			
3		Wall, Dispenser False	7	W10435760	Guide, Ice			
	W10520869	Grey	8		Tray, Drip			
				W10410105	Grey			

# ICEMAKER AND ICE CONTAINER PARTS



# ICEMAKER AND ICE CONTAINER PARTS

<u>Illus.</u> <u>No.</u>	<u>Part No.</u>	<u>Description</u>	<u>Illus.</u> <u>No.</u>	<u>Part No.</u>	<u>Description</u>	<u>Illus.</u> <u>No.</u>	<u>Part No.</u>	<u>Description</u>
1	W10272364	Screw	6	W11185741	Motor, Dispenser	9	W10291905	Gasket
2	W10347051	Plate, Ice Chute	7	8281163	Screw (Stainless)	10	W11554919	Assembly, Icemaker
3	2198628	Seal	8	W10347093	Assembly, Ice Container			
4	W10347120	Clip, Retainer						
5	W11363576	Shaft, Motor						

# OPTIONAL PARTS

<u>Illus.</u> <u>No.</u>	<u>Part No.</u>	<u>Description</u>
		TOUCH-UP PAINT
W10134625		Apollo Grey
W10917540		Midnight Grey
		MISCELLANEOUS
212643		Sealer, Gum (4 Feet)
479502		Tape, Vinyl (3/4 x 108")
876370		Insulation (2 Pieces, 3" x 24" x 48")
876305		Insulation Kit (14 Pieces, 3" x 24" x 48")
978941		Insulation, Fiberglass (63 1/2" x 35 1/2" x 2 5/8")
876029		Kit, Foam Slab (30" x 32 1/2" x 1 1/2")
505587		Sealer, Mastic (1 Qt)
503695		Cork, Sealer
542638		Grease, Silicone (1/2 Oz.)
542639		Cement, Alumilastic (1 1/4 Oz.)
833938		Kit, Terminal Connector
8003RP		Kit, Water Inlet
		TORX SCREW WRENCH
1117510		Torx Key