



REFRIGERATOR

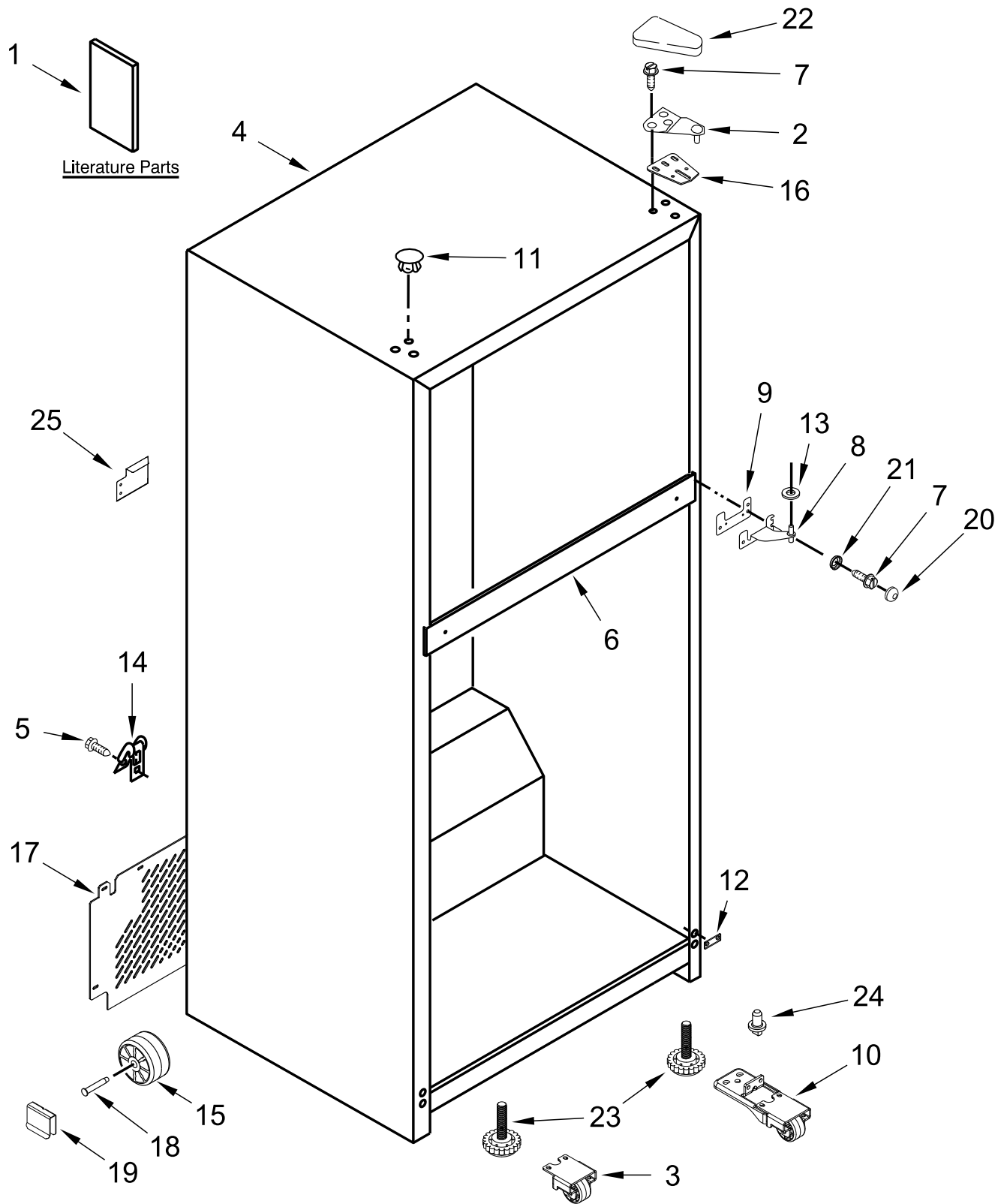
MODELS:

WRT108FFDW04 (White)

WRT108FFDB04 (Black)

WRT108FFDM04 (Stainless)

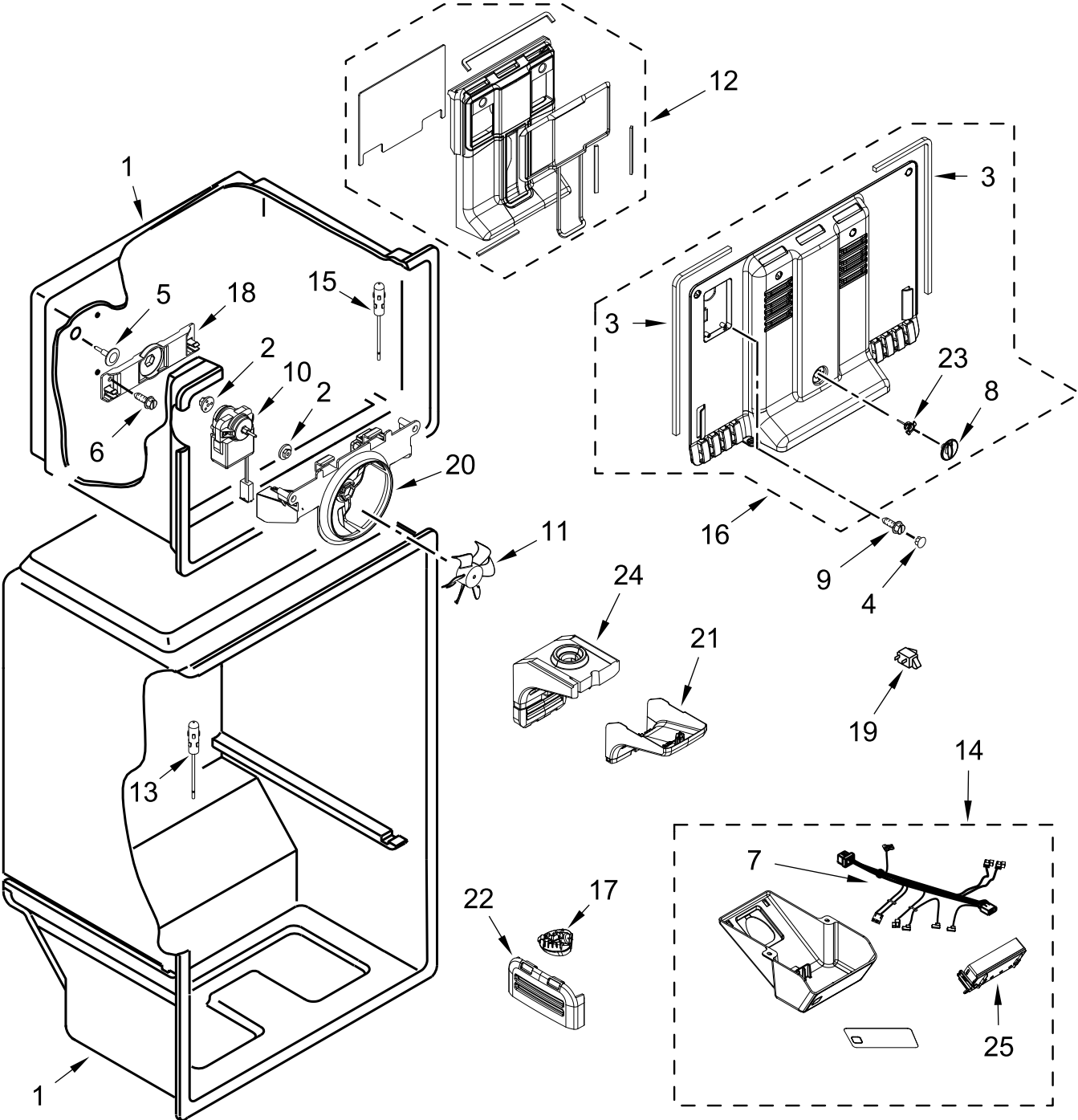
CABINET PARTS



CABINET PARTS

<u>Illus.</u> <u>No.</u>	<u>Part No.</u>	<u>Description</u>	<u>Illus.</u> <u>No.</u>	<u>Part No.</u>	<u>Description</u>	<u>Illus.</u> <u>No.</u>	<u>Part No.</u>	<u>Description</u>
1		Literature Parts	10	W10843861	Lower Hinge and Roller Assembly	18	981126	Axle, Roller
	W11511780	Tech Sheet				19	2174706	Clip, Roller
	W11507956	Use and Care Guide	11		Plug, Hole	20		Cap, Dome
	W11643997	Energy Guide		W10520304	White		W10674771	White
2	2261963	Assembly, Top Hinge		W10520305	Black		W10679135	Black
				W10520307	Grey		W10679139	Grey
3	W10842654	Assembly, Roller	12	W11359355	Shim, Bottom Hinge	21	W10674773	Cap, Washer Dome
4		Cabinet (Not Serviced)				22		Cover, Hinge
5	489442	Screw	13	489341	Washer, Plastic		2213360	White
6		Rail, Center (Not Serviced)	14	W11242280	Clamp, Power Cord		2213363	Black
			15	W10475495	Roller		2254510	Grey
7	489497	Screw	16		Shim, Top Hinge	23	W10671258	Leveler
				2221885	White	24	W10638688	Hinge Pin
8	2254618	Hinge, Center	17	W11307288	Cover, Unit	25	W11458717	Access Cover, Valve
9	2183852	Shim, Hinge Center						

LINER PARTS

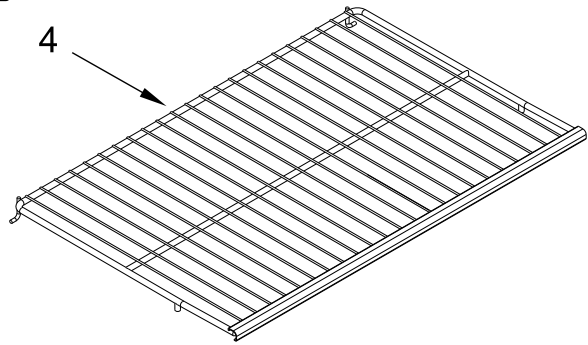


LINER PARTS

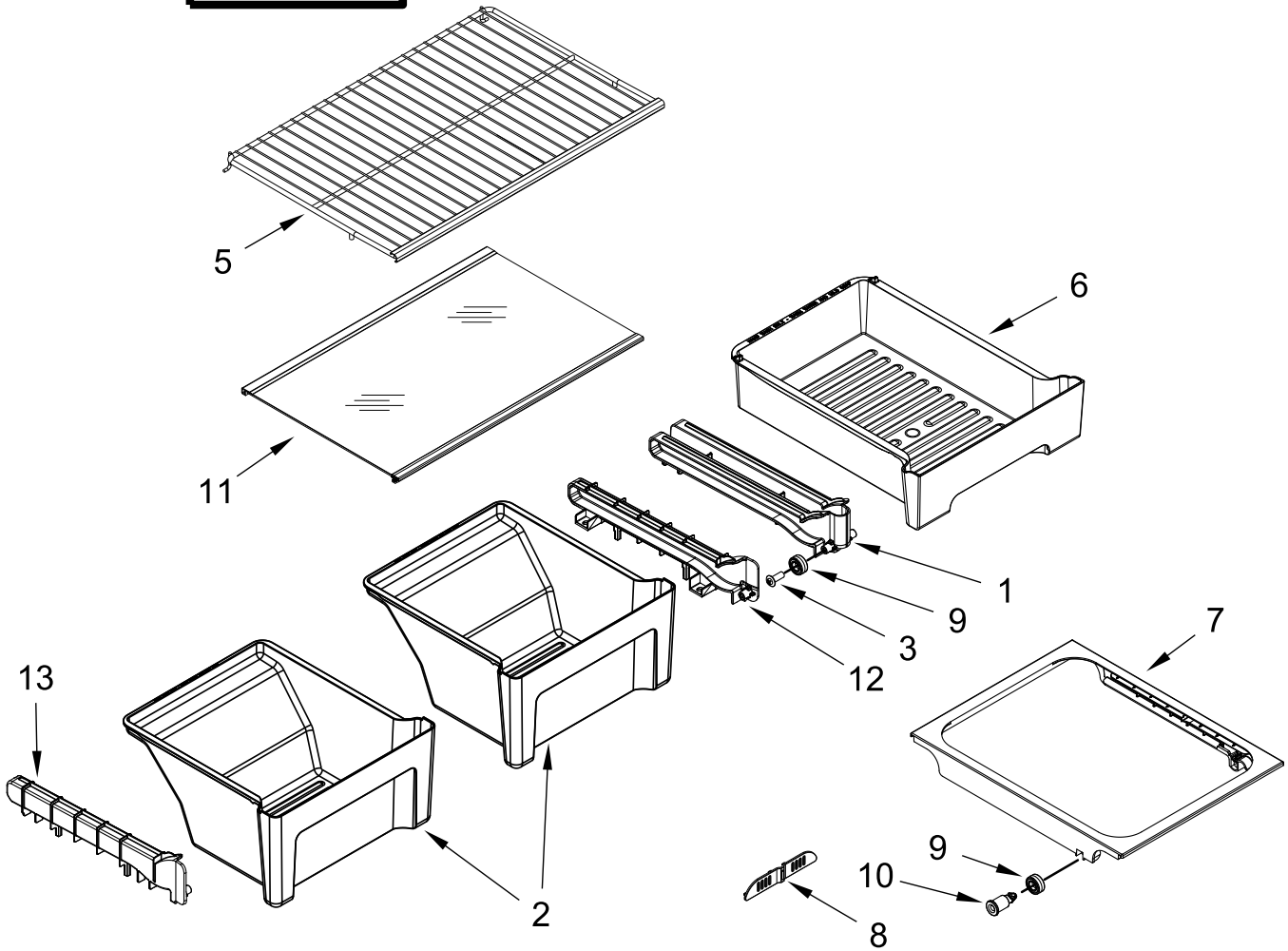
<u>Illus.</u> <u>No.</u>	<u>Part No.</u>	<u>Description</u>	<u>Illus.</u> <u>No.</u>	<u>Part No.</u>	<u>Description</u>	<u>Illus.</u> <u>No.</u>	<u>Part No.</u>	<u>Description</u>
1		Liner (Not Serviced)	11	2163777	Fan Blade	21	W10705209	Cover, Air Diffuser
2	2197380	Grommet	12	W10676682	Assembly, Evaporator Plenum	22	W10638176	Cup, Air Diffuser
3	W10709194	Gasket, Evaporator Cover	13	W11108173	Thermistor, Refrigerator	23	W10570951	Baffle, Air Manual
4	W10487421	Cover, Screw	14	W11504958	Assembly, Box Control	24	W10633587	Assembly, Air Diffuser
5		Hole Plug	15	W10384183	Thermistor	25	W11476561	Control, Electronic
	941839	White	16	W11510096	Cover, Evaporator			
6	488208	Screw	17	W11429584	Module, LED			
7	W11203360	Wire Assembly, Control Box	18	2254454	Bracket, Evaporator Fan Rear			
8	W10570952	Knob, Air Control	19	W11514900	Switch, Light			
9	8281232	Screw	20	W10321162	Bracket, Fan Motor			
10	2315539	Motor, Evaporator Fan						

SHELF PARTS

FREEZER



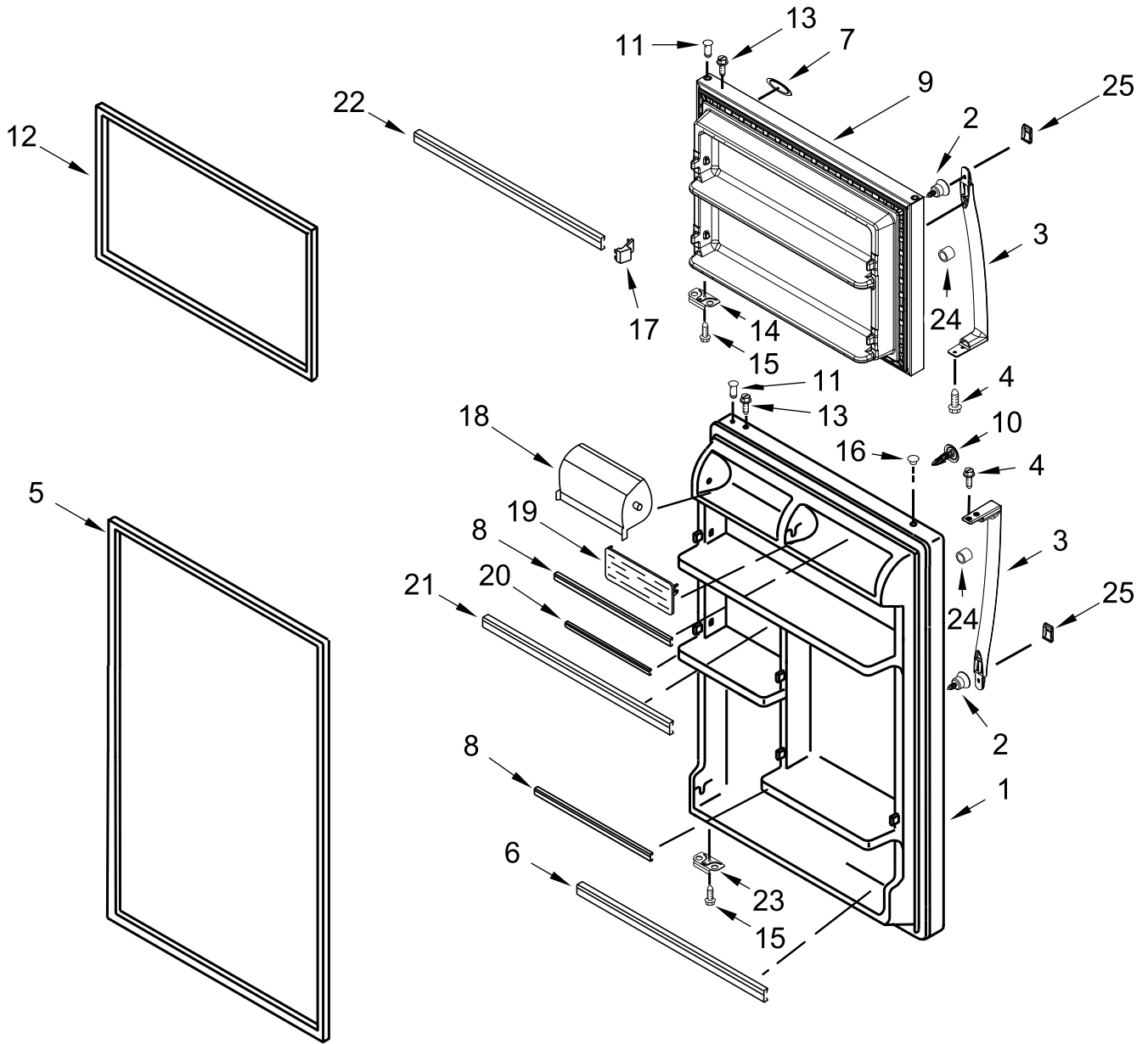
REFRIGERATOR



SHELF PARTS

<u>Illus.</u> <u>No.</u>	<u>Part No.</u>	<u>Description</u>	<u>Illus.</u> <u>No.</u>	<u>Part No.</u>	<u>Description</u>	<u>Illus.</u> <u>No.</u>	<u>Part No.</u>	<u>Description</u>
1	W11526406	Rail, Center Track	6	W10714006	Pan, Meat	11	W11553145	Shelf Assembly, Crisper
2	W10668872	Assembly, Crisper Pan	7	W10628697	Cover, Meat Pan	12	W11526405	Rail, Track (Right Hand)
3	3400065	Screw (Stainless)	8	W10356844	Control, Humidity	13	W11526404	Rail, Track (Left Hand)
4	W10628714	Shelf, Wire	9	W10628713	Roller, Pan			
5	W10310934	Shelf, Refrigerator Wire (30")	10	W10628712	Axle, Roller			

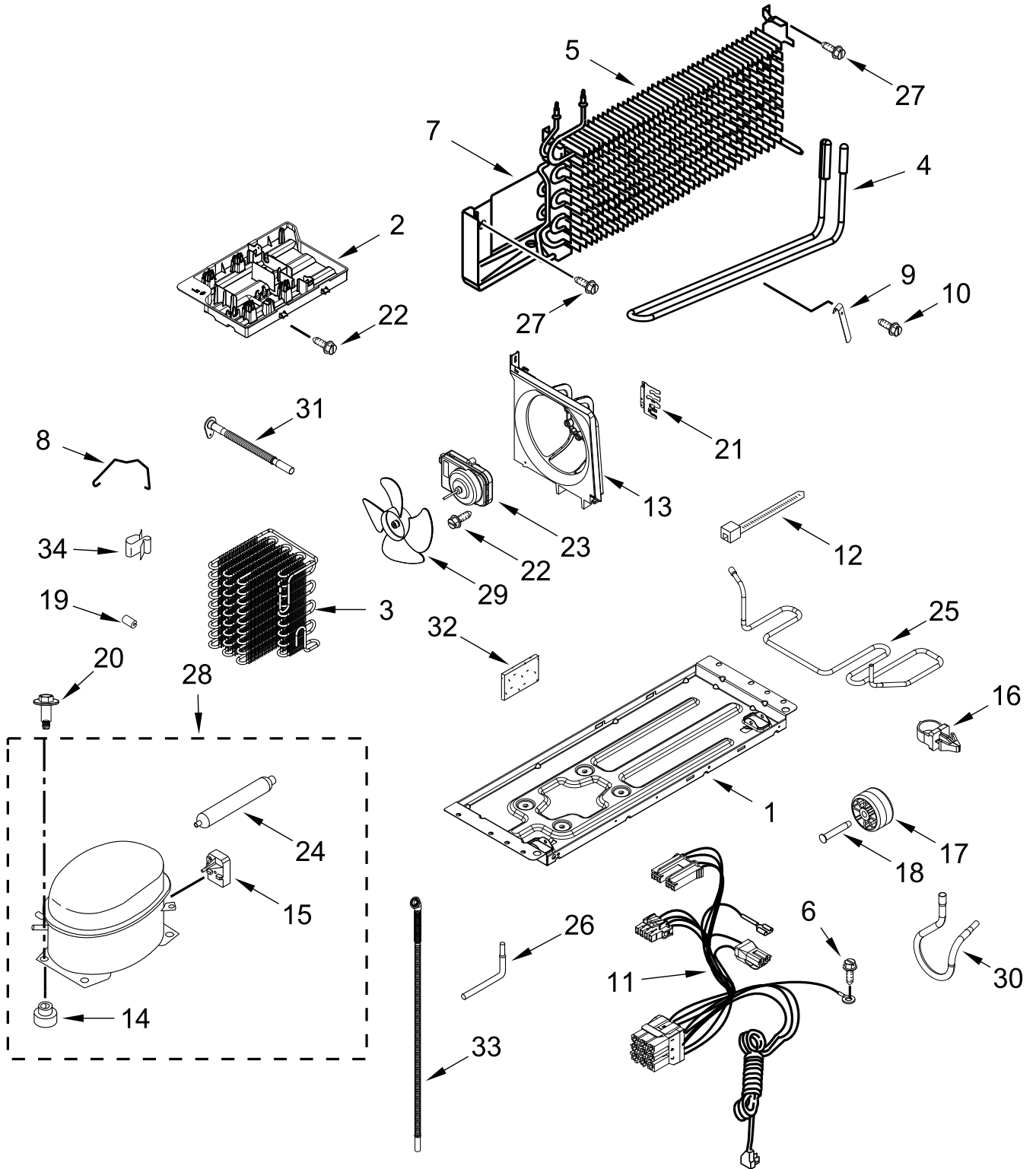
DOOR PARTS



DOOR PARTS

<u>Illus.</u> <u>No.</u>	<u>Part No.</u>	<u>Description</u>	<u>Illus.</u> <u>No.</u>	<u>Part No.</u>	<u>Description</u>	<u>Illus.</u> <u>No.</u>	<u>Part No.</u>	<u>Description</u>
1		Refrigerator Door (Includes Door Gasket)	10		Plug, Hole	24	W10511911	Bushing, Handle
	W10636410	White		W10663736	White	25		Handle, Trim
	W10668874	Black		W10663737	Black		W10672338	White
	W11398750	Stainless		W10663739	Grey		W10672339	Black
2	W10170540	Screw	11	2262054	Thimble		W11374428	Gray
3		Handle, Door	12		Gasket, Door			FOLLOWING PARTS NOT ILLUSTRATED
	W10672333	White		W10638675	White		W10662124	Door Reversal Kit, White Model
	W10672334	Black		W10667843	Black		W10676239	Door Reversal Kit, Black Model
	W10653470	Stainless	13	8281206	Screw		W10676240	Door Reversal Kit Stainless Model
4	489357	Screw	14	2189202	Bracket, Door Stop			
5		Gasket, Door	15	488921	Screw			
	W10638676	White	16		Plug, Hole			
	W10678768	Black		2212648	White			
	W11030683	Grey		2212651	Black			
6	W10719703	Trim, Door		2254517	Grey			
7	W10884775	Badge	17	2156003	Endcap, Trim			
8	W10719700	Trim, Door	18	2218113	Door, Compartment			
9		Freezer Door (Includes Door Gasket)	19	2188234	Door, Flip Up			
	W10636409	White	20	W10719701	Trim, Shelf Door			
	W10668875	Black	21	W10678772	Trim, Door			
	W10638683	Stainless	22	W10719702	Trim, Door			
			23	W10638692	Bracket, Door Stop			

UNIT PARTS



UNIT PARTS

<u>Illus.</u> <u>No.</u>	<u>Part No.</u>	<u>Description</u>	<u>Illus.</u> <u>No.</u>	<u>Part No.</u>	<u>Description</u>	<u>Illus.</u> <u>No.</u>	<u>Part No.</u>	<u>Description</u>
1	W10624648	Support Plate, Compressor	11	W11238433	Harness, Unit	26	2174739	Tube, Process
2	W10633582	Tray, Evaporator	12	2263990	Tie, Wire	27	489442	Screw
3	W11290570	Condenser (Also Order the Following Lokring Parts)	13	W11438498	Bracket, Fan	28	W11393974	Compressor (Also Order the Following Lokring Parts)
	W11504445	5/4 NR MS 00 (Heat Loop to Condenser)	14	W10806346	Grommet, Compressor		W11504415	8.5/8 NR MS 00 (Suction Tube to Compressor)
	W11506623	5 NK MS 00 (Suction Line to Condenser)	15	W11359381	Device, Combination Start (Start Relay and Overload)		W11504431	7/5 NR MS 00 (Compressor to Condenser)
4	W11340898	Heater, Defrost	16	2219077	Clip, Harness		W11506619	8 NK MS 00 (Charging Tube to Compressor)
5	W11488141	Assembly, Evaporator (Also Order the Following Lokring Parts)	17	W10475495	Roller		W11506635	Tube, Charging (1/4 in w/ Schrader Valve)
	W11504419	(8/7 NR AL 00) (Suction Line to Evaporator)	18	2179826	Axle, Rivet	29	W10817071	Blade, Fan
	W11504449	4/2 NR AL 00 (Capillary Tube to Evaporator)	19	2319835	Grommet, Condenser	30	W11361071	Tube, Suction
6	488500	Screw	20	W10476309	Screw	31	W11383479	Extension, Drain Tube
7	W11377819	Heat Shield	21	W11340313	Bracket, Evaporator	32	2215468	Insulation, Sound
8	W11488142	Strap, Bale	22	W10622701	Screw	33	W10633573	Tube, Drain
9	W11399989	Heat Probe	23	W10909387	Motor, Condenser Fan	34	2326941	Clip, Wire REFRIGERANT CHARGE 50 grams (R600a)
10	489478	Screw	24	W10805035	Drier (Service Drier Without Dye) (Also Order the Following Lokring Parts)			
				W11504445	5/4 NR MS 00 (Heat Loop to Drier)			
				W11504449	4/2 NR AL 00 (Capillary Tube to Drier)			
			25	W11314499	Assembly, Evaporator Fan Wire (Includes Thermal Fuse)			

OPTIONAL PARTS

<u>Illus.</u> <u>No.</u>	<u>Part No.</u>	<u>Description</u>
	978941	Insulation, Fiberglass (63 1/2" x 35 1/2" x 2 5/8")
	212643	Sealer, Gum (4 Feet)
	479502	Tape, Vinyl (3/4 x 108")
	876305	Insulation Kit (14 Pieces, 3" x 24" x 48")
	876370	Insulation (2 Pieces, 3" x 24" x 48")
	876029	Kit, Foam Slab (30" x 32 1/2" x 1 1/2")
	505587	Sealer, Mastic (1 Qt)
	511873	White Porcelain (2 oz.)
	542638	Grease, Silicone (1/2 Oz.)
	542639	Cement, Alumilastic (1 1/4 Oz.)
	606755	Bag
	833938	Kit, Terminal Connector
	503695	Cork, Sealer
	8003RP	Kit, Water Inlet FIELD INSTALLABLE ICE MAKER
W11510803		Complete Icemaker Kit (Includes Valve & Ice Bin)