

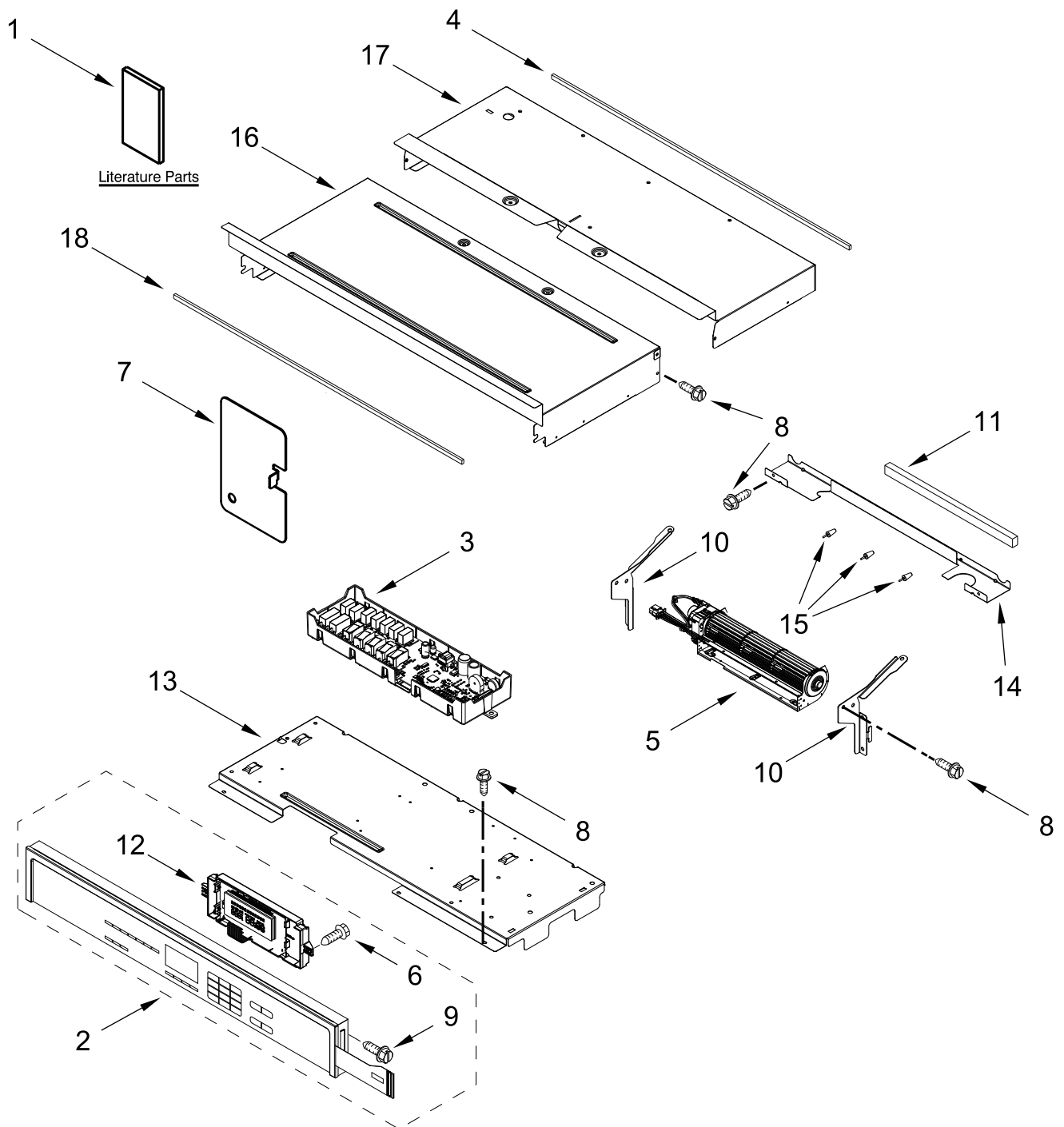


ELECTRIC WALL OVEN

MODELS:

WOED3030LS01 (Stainless)

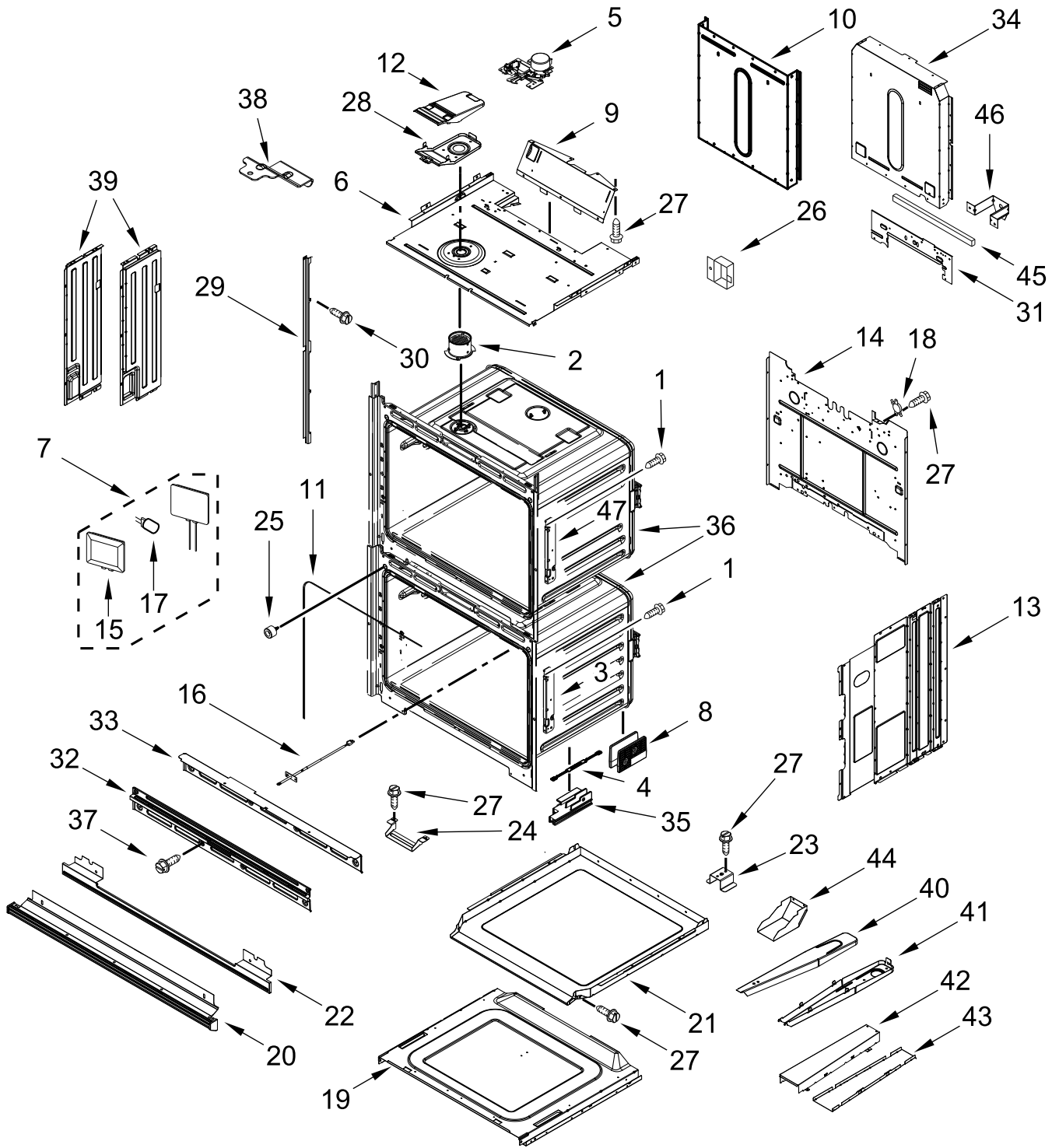
CONTROL PANEL PARTS



CONTROL PANEL PARTS

| <u>Illus. No.</u> | <u>Part No.</u> | <u>Description</u> | <u>Illus. No.</u> | <u>Part No.</u> | <u>Description</u> | <u>Illus. No.</u> | <u>Part No.</u> | <u>Description</u> |
|-------------------|-----------------|--|-------------------|-----------------|------------------------------------|-------------------|-----------------|------------------------------------|
| 1 | | Literature Parts | 9 | W11339492 | Screw (Black) | 18 | W11162063 | Gasket, Rubber |
| | W11656312 | Owner's Manual | 10 | W10655463 | Bracket, Blower (Left) | | | FOLLOWING PARTS NOT ILLUSTRATED |
| | W11553919 | Quick Start Guide | | W10655462 | Bracket, Blower (Right) | | W11501788 | Harness, Main |
| | W11603861 | Tech Sheet | | | | | W11264646 | Harness, Door Latch |
| 2 | | Assembly, Control Panel (Includes Overlay) | 11 | 4451758 | Block, Foam | | W10409840 | Harness, EOL (MRC) |
| | W11467622 | Black | 12 | W10752316 | Interface (Maxwell), User Board | | W11249912 | Harness, Signal |
| 3 | W11556521 | Control, Maxwell | 13 | W11179509 | Tray, Electronic | | W11233570 | Harness, Console |
| 4 | W10728475 | Gasket, Rubber | 14 | W11166802 | Divider, Chassis Back | | W10487999 | Clip, Harness |
| 5 | W11397930 | Blower | 15 | W10351295 | Bumper | | W10655464 | Bracket, Harness |
| 6 | 7101P403-60 | Screw | 16 | W11244445 | Cover, 30 IN Chassis Top Front | | 313438 | Clip, Harness |
| 7 | W11533682 | Cover, WIFI | | | | | 4450800 | Screw, Grounding |
| 8 | 7101P426-60 | Screw | 17 | W11223325 | Cover, 30 IN Chassis Top Back | | 4448664 | Clamp, Conduit |
| | | | | | | | W11394923 | Bag, Hardware |

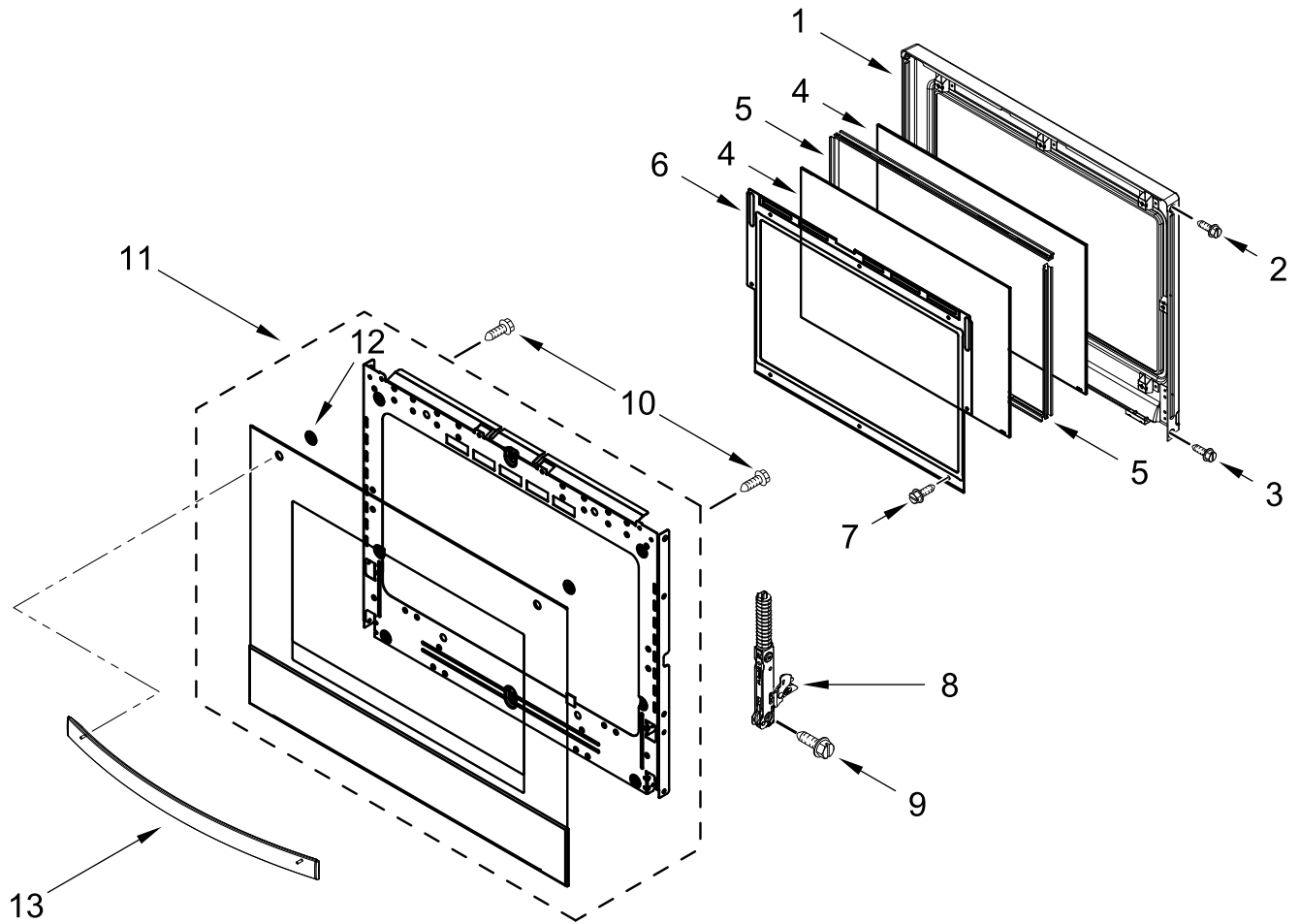
OVEN PARTS



OVEN PARTS

| <u>Illus.</u> <u>No.</u> | <u>Part No.</u> | <u>Description</u> | <u>Illus.</u> <u>No.</u> | <u>Part No.</u> | <u>Description</u> | <u>Illus.</u> <u>No.</u> | <u>Part No.</u> | <u>Description</u> |
|-----------------------------|-----------------|--------------------------|-----------------------------|-----------------|-------------------------------|-----------------------------|-----------------|---------------------------------|
| 1 | W10254050 | Screw | 21 | W11244446 | Duct, Bottom Chassis | 39 | W11167419 | Cover, Suction (Left) |
| 2 | W11085298 | Tube, Vent | 22 | | Trim, Bottom Vent | | W11186675 | Cover, Suction (Right) |
| 3 | W11239070 | Receiver, Hinge (Left) | | W11560859 | Black | 40 | W11256421 | Cover, Top Back Exhaust |
| | W11239072 | Receiver, Hinge (Right) | 23 | W11135135 | Support, Air Channel | 41 | W11256420 | Base, Top Back Exhaust |
| | | (Lower) | 24 | W11390667 | Spacer, Chassis Bottom Duct | 42 | W11256431 | Cover, Lower Back Exhaust |
| 4 | W11558603 | Spacer, Base | 25 | W11166315 | Bumper and Screw | 43 | W11256430 | Base, Lower Back Exhaust |
| 5 | W11132456 | Latch, Motorized | 26 | 8285593 | Cover, Connector | 44 | W11256432 | Deflector, Lower Back Exhaust |
| 6 | W11168071 | Top, Chassis | 27 | 7101P426-60 | Screw | 45 | W11211345 | Foam, U-Bracket |
| 7 | W11205574 | Assembly, Oven Light | 28 | W11256423 | Base, Vent Exhaust | 46 | W11344645 | Hat Bracket, Vent |
| 8 | W11245118 | Foot, Base | 29 | W11235460 | Cover, Side trim (Left) | 47 | W11100732 | Receiver, Hinge (Upper) |
| 9 | W10904163 | Deflector, Blower | | W11235461 | Cover, Side Trim (Right) | | | FOLLOWING PARTS NOT ILLUSTRATED |
| 10 | W11134657 | Duct, Lower Chassis Back | 30 | W11404000 | Screw | W11188284 | | Insulation, Wrap |
| | | (Lower) | 31 | W11186652 | Bracket, U-Shape | W11234758 | | Insulation, Cavity |
| 11 | W11608108 | Gasket | 32 | W11235482 | Vent, Center 30" | | | |
| 12 | W11256424 | Cover, Vent Exhaust | 33 | W11334857 | Vent, Top 30 IN | | | |
| 13 | W11165274 | Side, Chassis | 34 | W11165250 | Duct, Chassis Back (Upper) | | | |
| 14 | W11442209 | Back, Chassis | 35 | W11245114 | Foot, Chassis (Left) | | | |
| 15 | W10472386 | Lens, Light | | W11245116 | Foot, Chassis (Right) | | | |
| 16 | W11346074 | Probe, Sensor | 36 | | Liner, Oven (Not serviceable) | | | |
| 17 | W10472384 | Bulb, Light | 37 | W11249635 | Screw | | | |
| 18 | 4449751 | Thermostat (TOD) | 38 | W11342780 | Bracket, Top Front | | | |
| 19 | W11135103 | Base, Chassis | | | | | | |
| 20 | | Assembly, Bottom Vent | | | | | | |
| | W11467754 | Stainless | | | | | | |

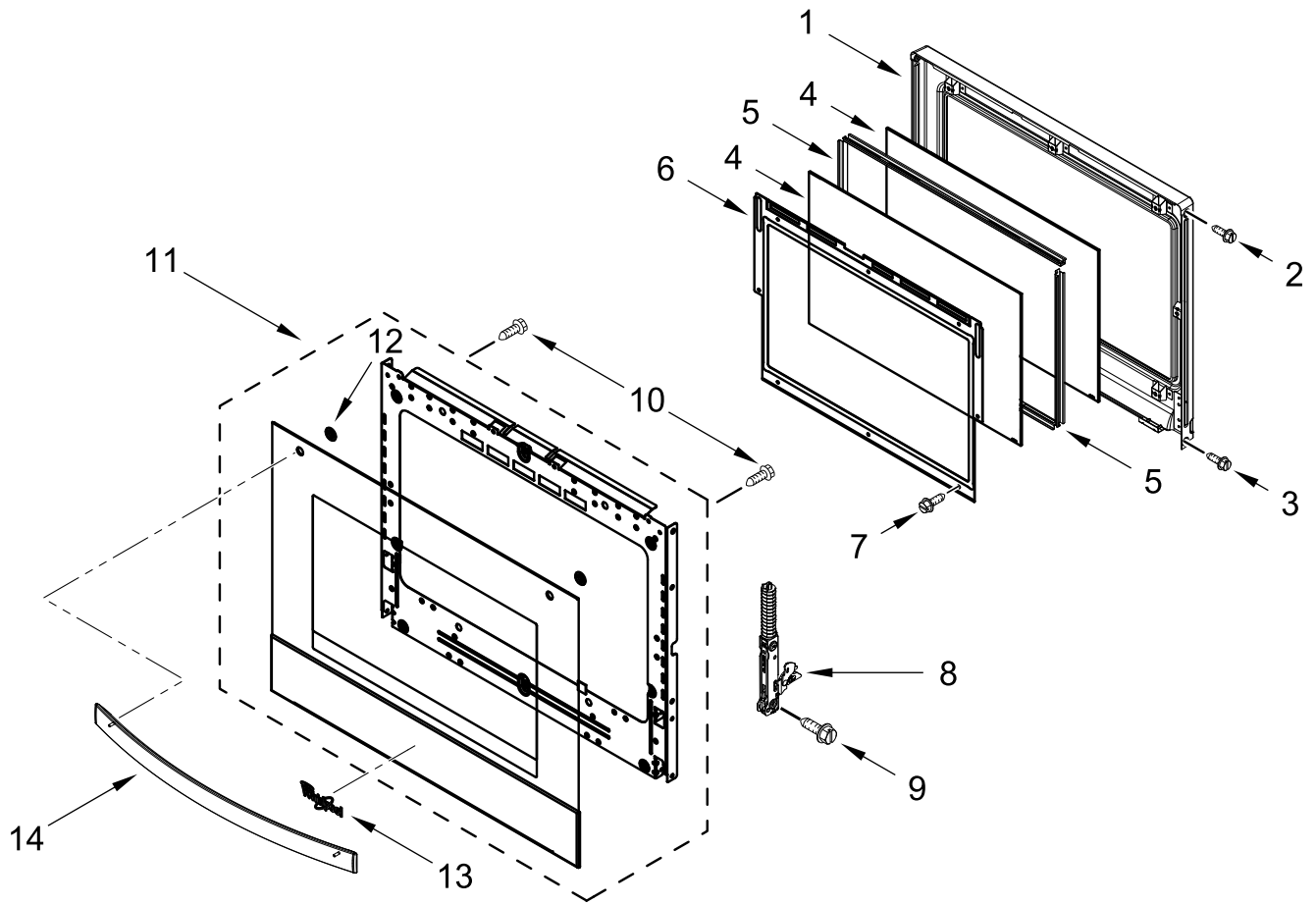
UPPER OVEN DOOR PARTS



UPPER OVEN DOOR PARTS

| <u>Illus.</u> <u>No.</u> | <u>Part No.</u> | <u>Description</u> | <u>Illus.</u> <u>No.</u> | <u>Part No.</u> | <u>Description</u> | <u>Illus.</u> <u>No.</u> | <u>Part No.</u> | <u>Description</u> |
|-----------------------------|-----------------|--------------------------------|-----------------------------|-----------------|---------------------|-----------------------------|-----------------|--------------------|
| 1 | W11302587 | Liner Assembly | 7 | 7101P426-60 | Screw | 11 | | Door Assembly |
| 2 | 7101P375-60 | Screw | 8 | W11394143 | Hinge, Door (Left) | | W11499216 | Stainless |
| 3 | W11290045 | Screw | | W11394144 | Hinge, Door (Right) | 12 | W10319024 | Washer, Door |
| 4 | W10618107 | Glass, Inner | | | | 13 | | Handle Assembly |
| 5 | W11302730 | Spacer, Air Divider | 9 | 3196183 | Screw | | W11532517 | Stainless |
| 6 | W11174095 | Retainer, Air Divider Glass | 10 | W11317731 | Screw (Black) | | | |

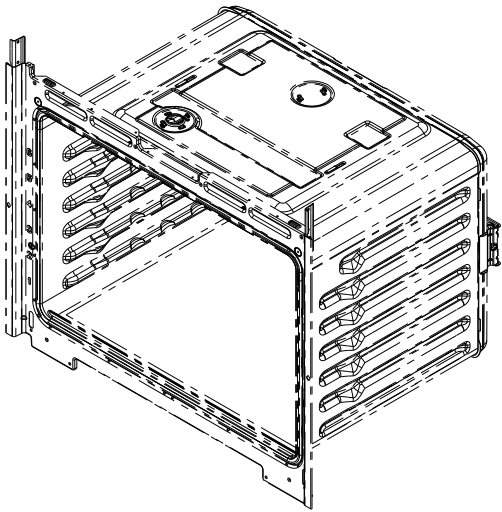
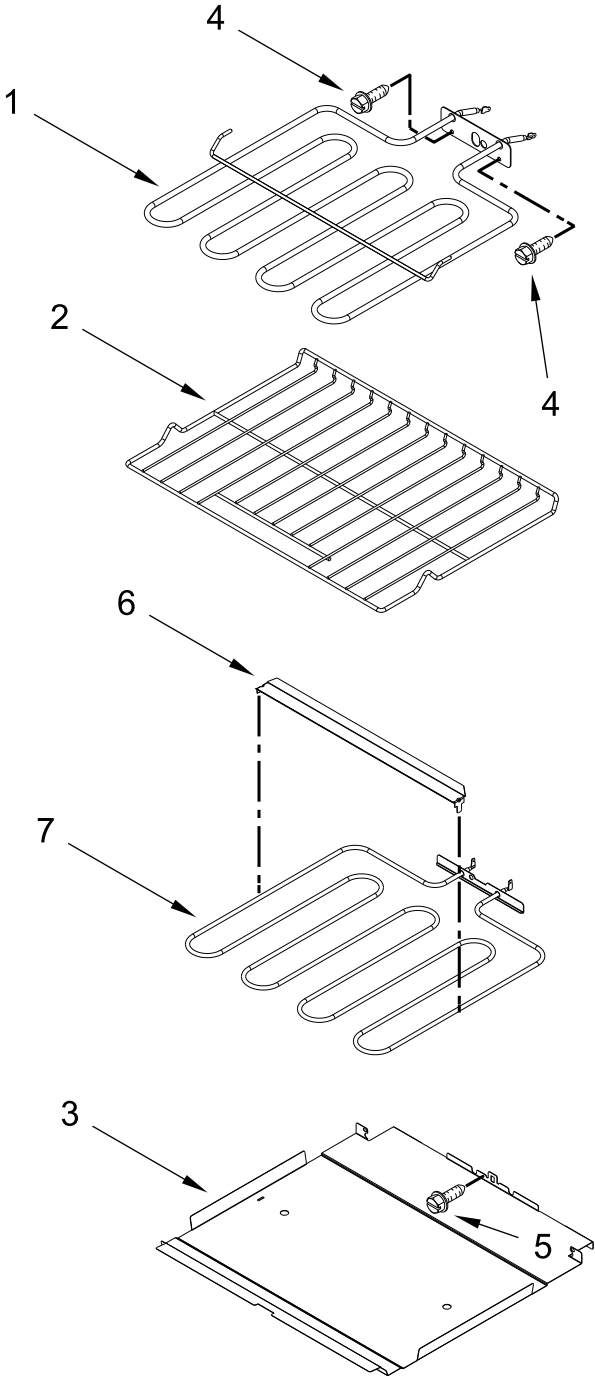
LOWER OVEN DOOR PARTS



LOWER OVEN DOOR PARTS

| <u>Illus. No.</u> | <u>Part No.</u> | <u>Description</u> | <u>Illus. No.</u> | <u>Part No.</u> | <u>Description</u> | <u>Illus. No.</u> | <u>Part No.</u> | <u>Description</u> |
|-------------------|-----------------|-----------------------------|-------------------|-----------------|---------------------|-------------------|-----------------|--------------------|
| 1 | W11302587 | Liner Assembly | 7 | 7101P426-60 | Screw | 11 | | Door Assembly |
| 2 | 7101P375-60 | Screw | 8 | W11394143 | Hinge, Door (Left) | | W11499216 | Stainless |
| 3 | W11290045 | Screw | | W11394144 | Hinge, Door (Right) | 12 | W10319024 | Washer, Door |
| 4 | W10618107 | Glass, Inner | | | | 13 | W10884775 | Badge |
| 5 | W11302730 | Spacer, Air Divider | 9 | 3196183 | Screw | 14 | | Handle Assembly |
| 6 | W11174095 | Retainer, Air Divider Glass | 10 | W11317731 | Screw (Black) | | W11532517 | Stainless |

INTERNAL OVEN PARTS



INTERNAL OVEN PARTS

| <u>Illus.</u> <u>No.</u> | <u>Part No.</u> | <u>Description</u> | <u>Illus.</u> <u>No.</u> | <u>Part No.</u> | <u>Description</u> | <u>Illus.</u> <u>No.</u> | <u>Part No.</u> | <u>Description</u> |
|-----------------------------|-----------------|--------------------|-----------------------------|-----------------|--------------------|-----------------------------|-----------------|-------------------------------|
| 1 | W11238160 | Element, Broil | 4 | 7101P434-60 | Screw | 6 | W10282957 | Crossbar, Hidden Bake Tray |
| 2 | W11122597 | Rack, Oven | 5 | 7101P426-60 | Screw | 7 | W11292248 | Element, Bake |
| 3 | W10318198 | Tray, Hidden Bake | | | | | | |

OPTIONAL PARTS (NOT INCLUDED)

| <u>Illus.</u> <u>No.</u> | <u>Part No.</u> | <u>Description</u> |
|-----------------------------|-----------------|-----------------------------|
| | | PAINT, TOUCH-UP (1/2oz.) |
| | 72017 | White |
| | 72032 | Black |
| | | PAINT, SPRAY |
| | 350930 | White |
| | 261900 | Citrine White |
| | 830864 | Black |
| | | ADHESIVE |
| | 482338 | Sealer, Silastic |
| | | ACCESSORIES |
| | | Trim, Tall Vent |
| | W11570325 | Black |
| | W11570323 | Stainless |
| | | Vent, Deflector |
| | W11551866 | Stainless |
| | | Trim, Bottom Vent |
| | W11570321 | Stainless |