

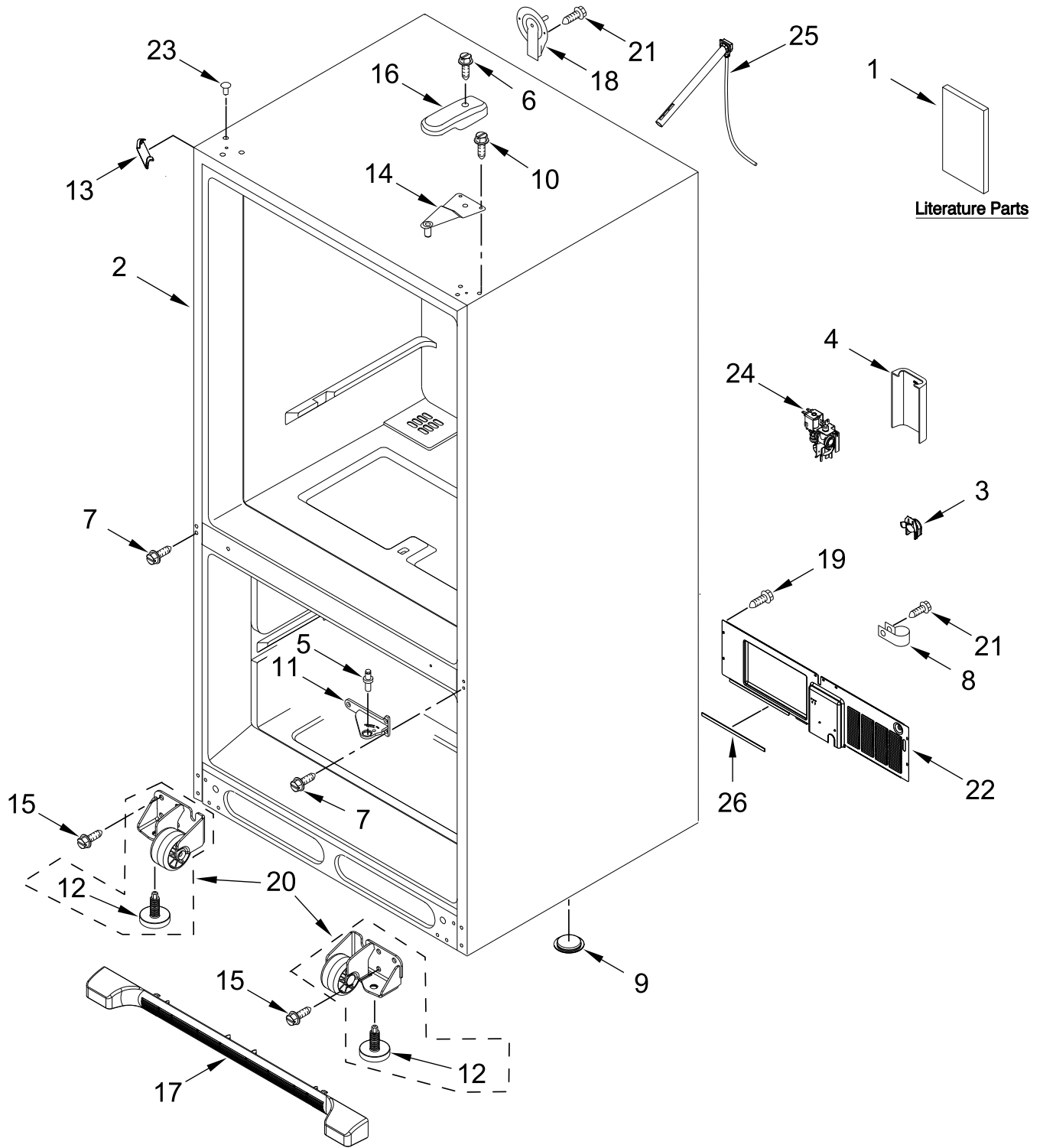


REFRIGERATOR

MODELS:

WRB322DMBB05 (Black)

CABINET PARTS



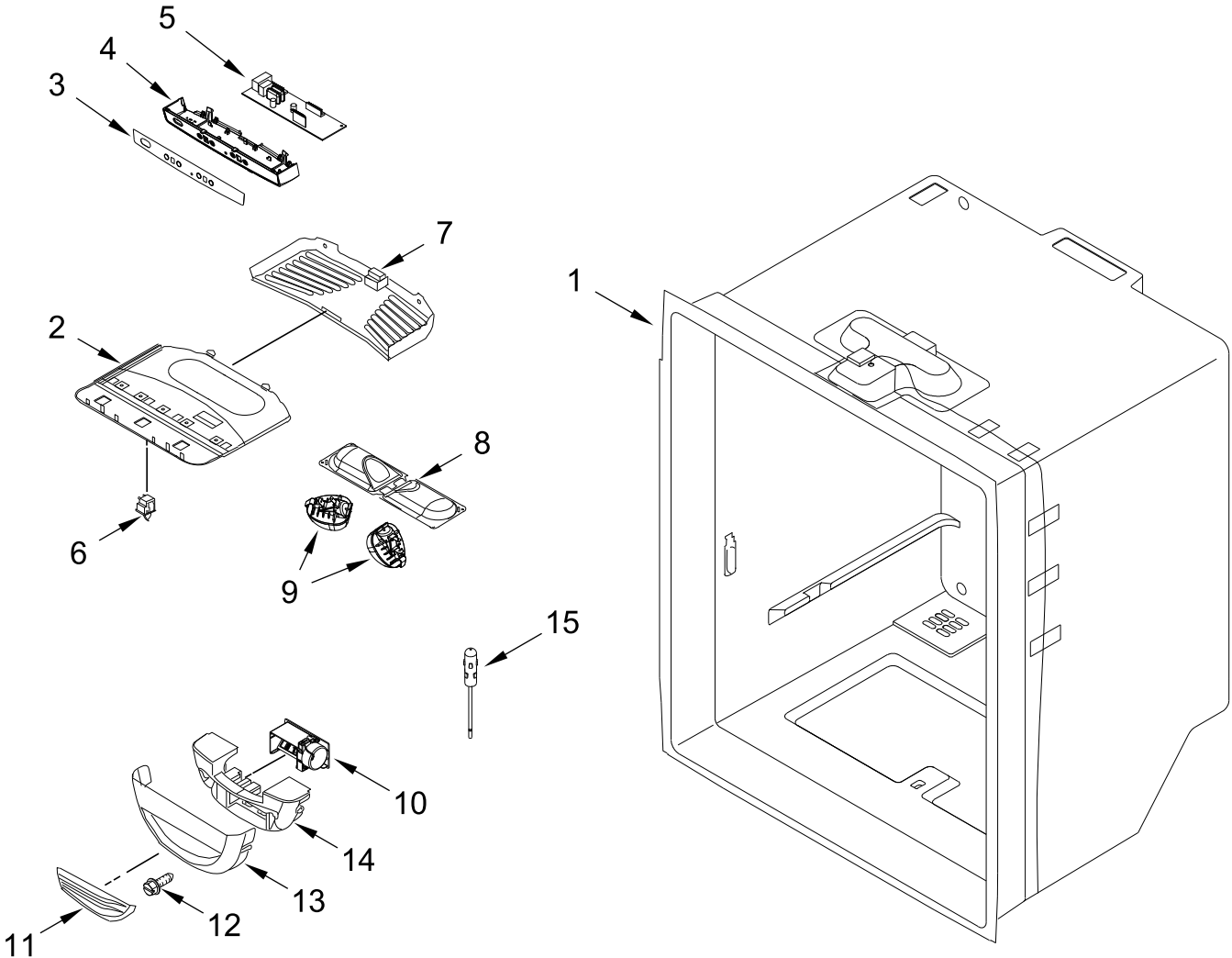
CABINET PARTS

<u>Illus. No.</u>	<u>Part No.</u>	<u>Description</u>
1		Literature Parts
	W11479841	Owner's Manual
	W11644246	Energy Guide
	W11312474	Tech Sheet
2		Cabinet (Not a Servicable Part)
3	W10485986	Guide, Waterline
4	W10208592	Cover, Valve
5	10351006	Pin, Center Hinge
6	12992602	Screw
7	W10673840	Screw (Stainless)
8	M0108107	Clamp, Tube
9		Plug, Button
	M0310343	White

<u>Illus. No.</u>	<u>Part No.</u>	<u>Description</u>
10	12992403	Screw
11	W11610756	Hinge, Center
12	W10141622	Brake, Roller
13		Cover, Corner
	12587703B	Black
14	12566606ED	Hinge, Top
15	W10709365	Screw
16		Cover, Hinge
	12477601B	Black
17		Assembly, Grille (Includes Clips)
	W10534162	Black
18	12726003	Cover, Water Line
19	W10141645	Screw

<u>Illus. No.</u>	<u>Part No.</u>	<u>Description</u>
20		Assembly, Roller
	W10515763	Left Hand
	W10515762	Right Hand
21	12990504	Screw
22	W10210979	Cover, Unit
23		Plug, Hole
	12246608	Black
24	W11446817	Valve, Inlet
25	W11046934	Assembly, Fill Tube (Includes Tubing, Fill Tube Elbow, Tube Insert and Clamp)
26	W11534847	Gasket

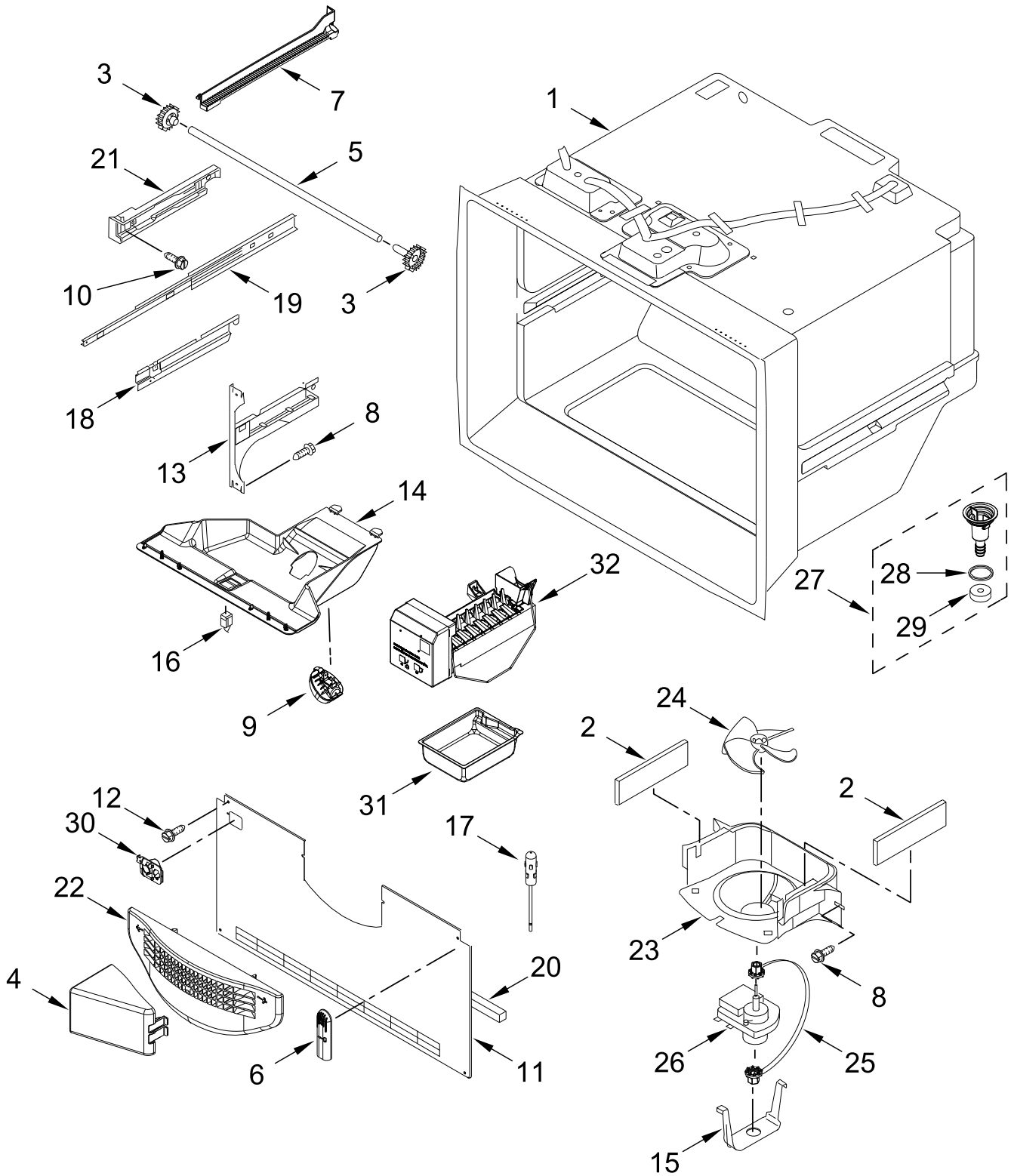
REFRIGERATOR LINER PARTS



REFRIGERATOR LINER PARTS

<u>Illus.</u> <u>No.</u>	<u>Part No.</u>	<u>Description</u>	<u>Illus.</u> <u>No.</u>	<u>Part No.</u>	<u>Description</u>	<u>Illus.</u> <u>No.</u>	<u>Part No.</u>	<u>Description</u>
1		Liner (Not A Serviceable Part)	7	W11132917	Cover, Light	14	W11657832	Insulation, Damper
2	W10464757	Module, Light	8	W10443023	Housing, Light	15	12791403	Thermistor
3	W10593588	Overlay	9	W11468934	Light Module, LED			FOLLOWING PARTS NOT ILLUSTRATED
4	W10464769	Module, Control	10	W10594330	Damper, Control			
5	W11321360	Control, Electronic	11	12806801	Insert, Damper Cover	W11598849		Harness, Refrigerator Control (Includes Thermistor)
6	W10847853	Switch, Rocker	12	12990604	Screw			
			13	12806701	Cover, Damper			

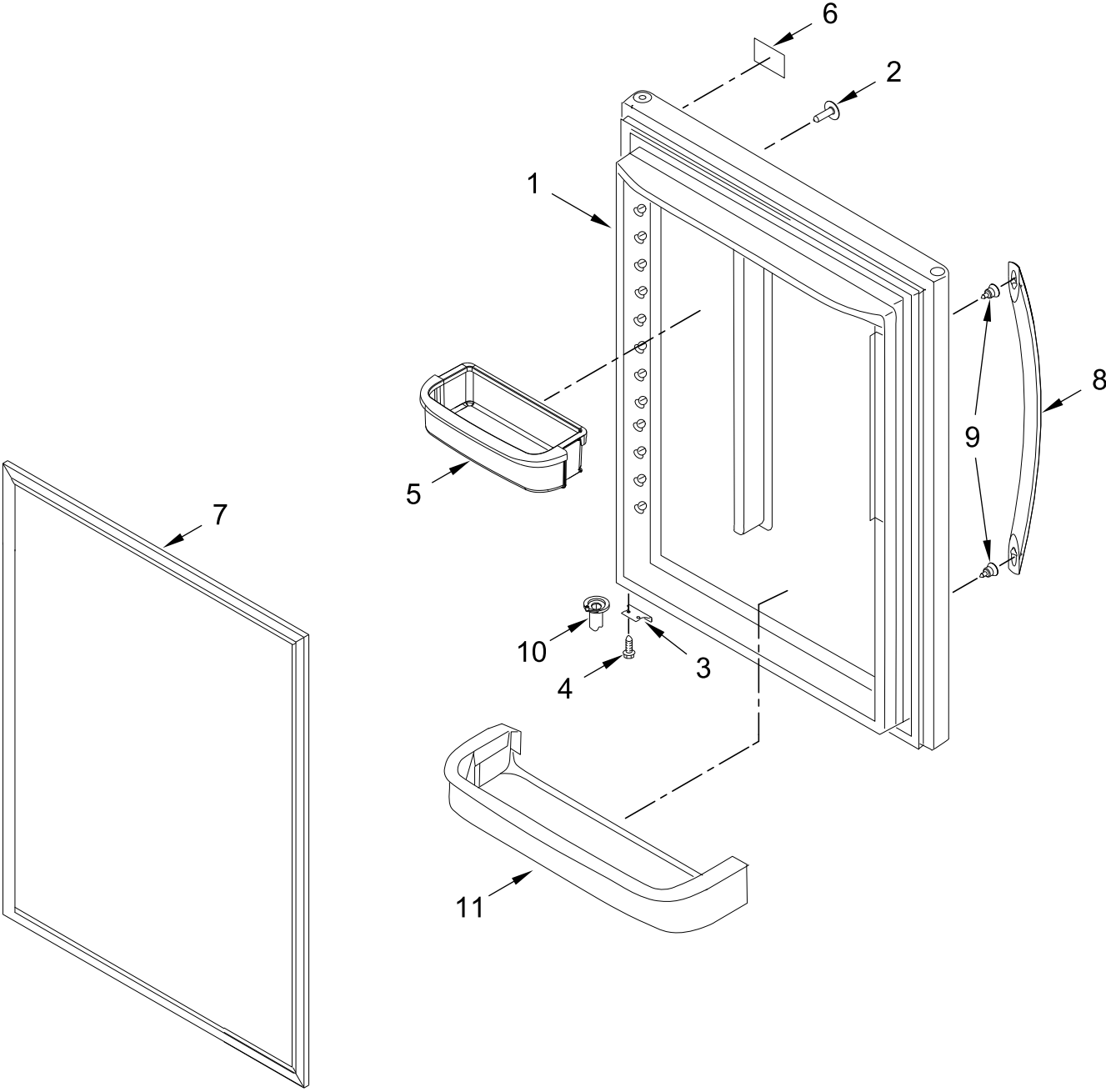
FREEZER LINER AND ICEMAKER PARTS



FREEZER LINER AND ICEMAKER PARTS

<u>Illus. No.</u>	<u>Part No.</u>	<u>Description</u>	<u>Illus. No.</u>	<u>Part No.</u>	<u>Description</u>	<u>Illus. No.</u>	<u>Part No.</u>	<u>Description</u>
1		Liner (Not A Serviceable Part)	13		Bracket, Door	23	13057901	Shroud, Evaporator Fan
2	A3189392	Gasket, Foam		W10330991	Left Hand	24	2169142	Blade, Fan
3	12002497	Gear		W10330993	Right Hand	25	W10121318	Grommet
4	W10157765	Diverter, Air	14	W10277025	Module, Light	26	W10128551	Motor, Evaporator
5	W10802331	Shaft, Rack	15	13058002	Clip, Evaporator Motor	27	W10662407	Assembly, Drain Funnel
6	12815301	Cover, Thermistor	16	W10847849	Switch, Light	28	M0500703	Seal
7		Rack, Side	17	12791417SP	Thermistor	29	B8381501	Gasket, Drain
	W11309374	Left Hand	18		Cradle, Basket	30	W11341630	Guide, Fill Tube
	W11309377	Right Hand		W10280608	Left Hand	31	W10171529N	Pan, Ice
8	12990521	Screw		W10280613	Right Hand	32	W11456887	Assembly, Icemaker (Complete)
9	W11468934	Light Module, LED	19	W11644400	Slide, Door			
10	12990501	Screw	20	A3189395	Gasket, Foam			
11	W10308415	Cover, Evaporator	21		Adapter, Side			
12	12990101	Screw		W10284684	Left Hand			
				W10284685	Right Hand			
			22	13024803	Grille, Freezer Air			

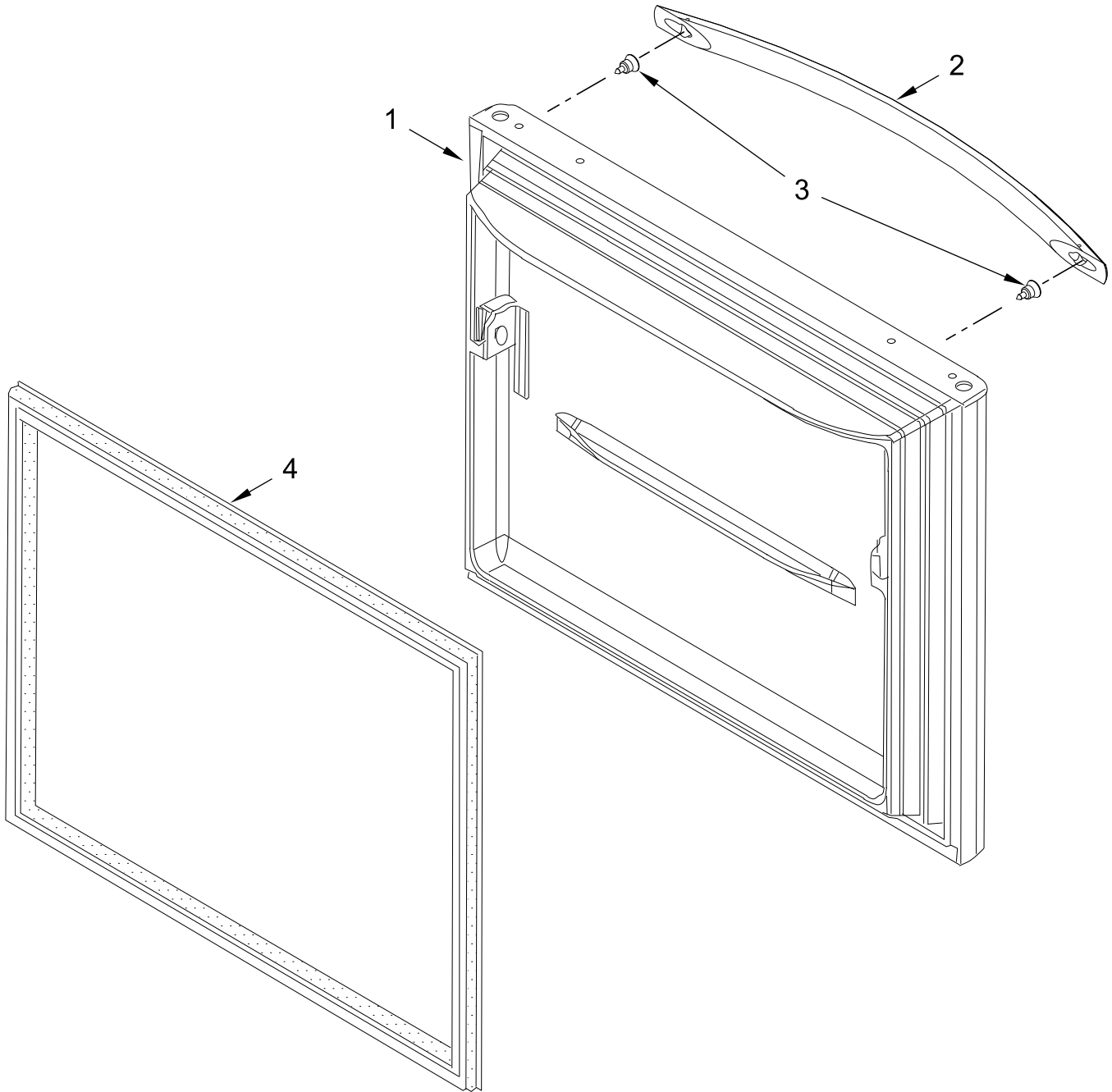
REFRIGERATOR DOOR PARTS



REFRIGERATOR DOOR PARTS

<u>Illus.</u> <u>No.</u>	<u>Part No.</u>	<u>Description</u>	<u>Illus.</u> <u>No.</u>	<u>Part No.</u>	<u>Description</u>	<u>Illus.</u> <u>No.</u>	<u>Part No.</u>	<u>Description</u>
1		Door, Refrigerator	5	W10371194	Bucket, Medium	10		Closure, Door
	13109401B	Black	6	W10884773	Badge		12028505B	Black
2		Plug, Hole	7		Gasket, Door	11	12557905	Retainer, Door
	12246608	Black		W10443314	Grey			
3		Stop, Door	8		Handle, Door			
	12968202B	Black		W10686442	Black			
4	12990518	Screw	9	W11328753	Screw			

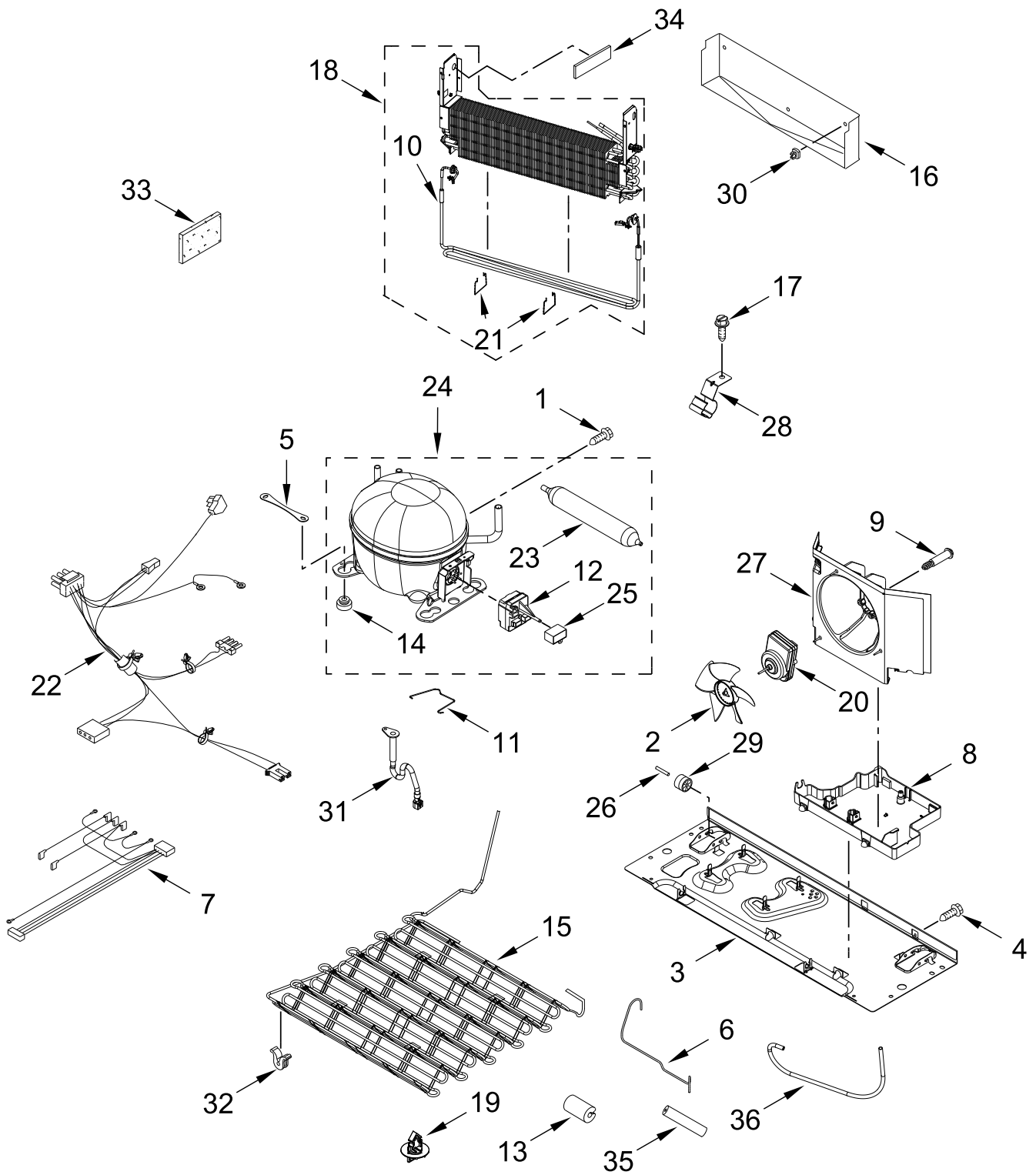
FREEZER DOOR PARTS



FREEZER DOOR PARTS

<u>Illus.</u> <u>No.</u>	<u>Part No.</u>	<u>Description</u>	<u>Illus.</u> <u>No.</u>	<u>Part No.</u>	<u>Description</u>	<u>Illus.</u> <u>No.</u>	<u>Part No.</u>	<u>Description</u>
1	13109214B	Door, Freezer Black	2	W10686442	Handle, Door Black	4	W10443316	Gasket, Door Grey
			3	W11328753	Screw			

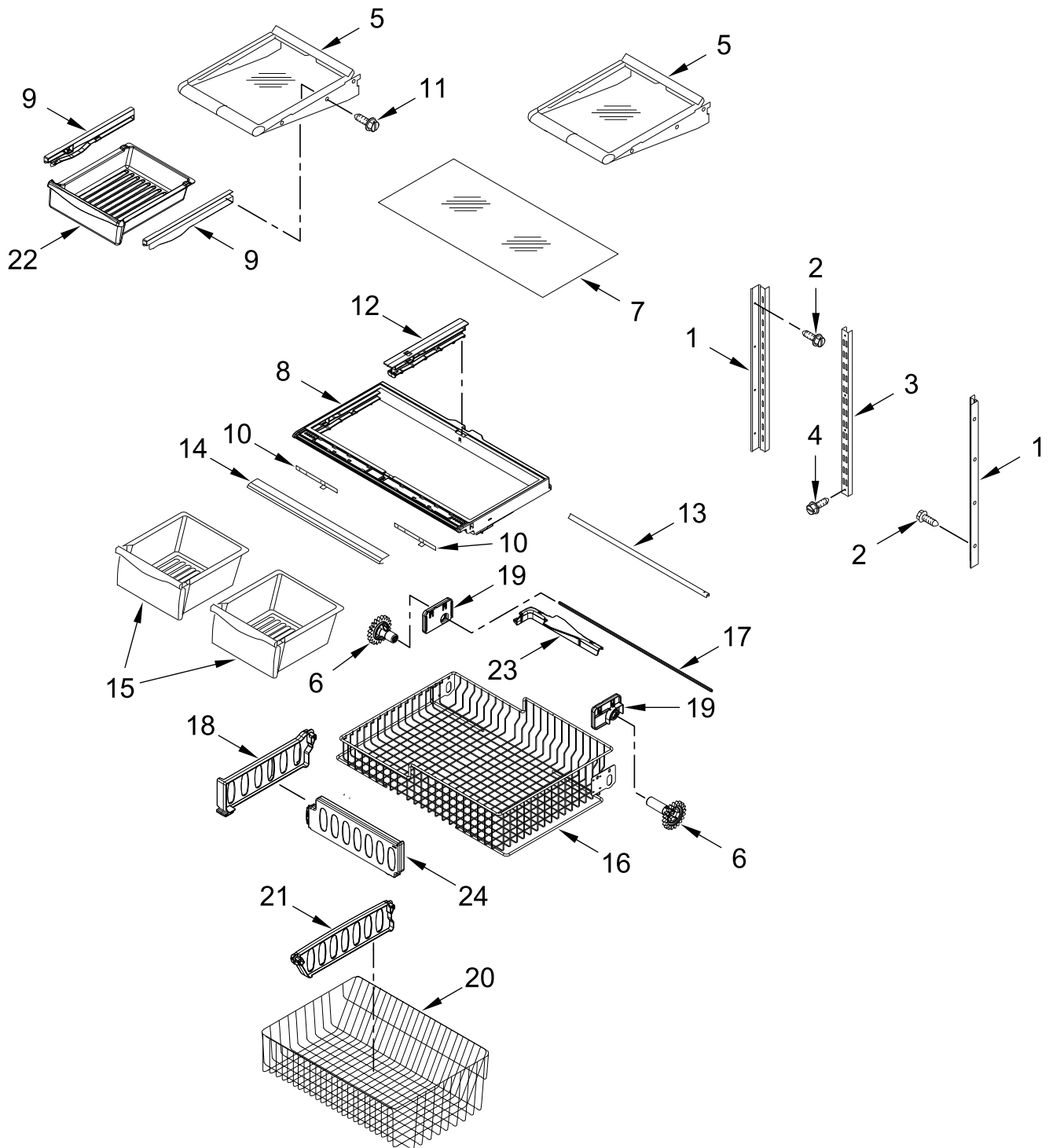
UNIT PARTS



UNIT PARTS

<u>Illus.</u> <u>No.</u>	<u>Part No.</u>	<u>Description</u>	<u>Illus.</u> <u>No.</u>	<u>Part No.</u>	<u>Description</u>	<u>Illus.</u> <u>No.</u>	<u>Part No.</u>	<u>Description</u>
1	12992301	Screw	18	W11515436	Assembly, Evaporator and Heater	24	W11332031	Compressor (Also Order the Following Lokring Parts)
2	12825803	Blade, Fan			(Also Order the Following Lokring Parts)			
3	W11604797	Basepan						
4	12990511	Screw						
5	W10236396	Strap, Compressor		W11504423	8/2 NR AL 00 (Capillary Tube to Evaporator)		W11504416	8.5/6 NR MS 00 (Suction Tube to Compressor)
6	W11566600	Tube, Discharge						
7	W11305539	Harness, Evaporator (Includes Defrost Thermostat)		W11504415	8.5/8 NR MS 00 (Suction Line to Evaporator)		W11504431	7/5 NR MS 00 (Discharge Tube to Compressor)
8	W10655367	Pan, Drain						
9	W10622701	Screw	19	W10815863	Clip, Condenser		W11506621	6 NK MS 00 (Charging Tube to Compressor)
10	W11287564	Heater, Defrost	20	W11505534	Motor, Condenser Fan			
11	W11379613	Strap, Bale	21	W11380964	Clip, Heater		W11506635	Tube, Charging (1/4 in w/ Schrader Valve)
12	W11359985	Device, Start	22	W11654034	Harness, Unit (Includes Power Cord)	25	W10350564	Capacitor
13	2319835	Grommet, Condenser	23	W11353156	Drier (Also Order the Following Lokring Parts)	26	12477202	Axle, Roller
14	10835903	Grommet				27	W11463236	Shroud, Condenser Fan
15	W11353138	Condenser (Also Order the Following Lokring Parts)		W11504445	5/4 NR MS 00 (Heat Loop to Drier)	28	W10281329	Clip, Drier
	W11506623	5 NK MS 00 (Discharge Tube to Condenser)				29	12477102	Roller
	W11504432	6/5 NR MS 00 (Heat Loop to Condenser)		W11504447	5/1.8 NR MS 00 (Capillary Tube to Drier)	30	10623002	Clip, Evaporator
16	W11337772	Tray, Drip				31	W10622099	Extension, Drain Tube
17	12992101	Screw				32	W10137529	Grommet, Condenser
						33	2169104	Insulation, Sound Deadening
						34	W11244122	Gasket, Foam
						35	W10303521	Sleeve
						36	W11566588	Tube, Suction REFRIGERANT CHARGE 49 grams (R600a)

SHELF PARTS



SHELF PARTS

<u>Illus. No.</u>	<u>Part No.</u>	<u>Description</u>	<u>Illus. No.</u>	<u>Part No.</u>	<u>Description</u>	<u>Illus. No.</u>	<u>Part No.</u>	<u>Description</u>
1	W10251969	Ladder, Side	10	12530805SP	Slide, Humidity Control	19		Mount, Gear
2	12990513	Screw	11	12990302V	Screw		W10348259	Left Hand
3	W10273463	Ladder, Center	12	W10671238	Rail, Center Crisper		W10348260	Right Hand
4	W10215666	Screw	13	12227303WD	Brace, Crisper Cover	20	W11115780	Basket, Freezer (Lower)
5	W11358360	Shelf, Stationary	14	W10231343	Trim, Crisper	21	W10146440	Divider, Basket (Lower)
6		Gear, Spur	15	12530505N	Pan, Crisper	22	12656404V	Pan, Deli
	W10474716	Left Hand	16	W11115252	Basket, Freezer (Upper)	23	W10149389N	Lift, Bail Arm
	W10474715	Right Hand	17	W10802339	Shaft, Rack	24	W10311695	Divider, Basket (Upper)
7	12204822	Glass, Crisper	18	W10241046	Divider, Basket (Upper)			
8	W10671241	Frame, Crisper						
9		Glide, Deli						
	12656601V	Left Hand						
	12656602V	Right Hand						

OPTIONAL PARTS

<u>Illus.</u> <u>No.</u>	<u>Part No.</u>	<u>Description</u>
		TOUCH-UP PAINT
	72032	Black PAINT, PRESSURIZED SPRAY (12 oz.)
	350939	Enamel, Black
	285006	Black Important: The spray paint is not to be used where the paint may make contact with the door gaskets.
		MISCELLANEOUS
	212643	Sealer, Gum (4 Feet)
	479502	Tape, Vinyl (3/4 x 108")
	876370	Insulation (2 Pieces, 3" x 24" x 48")
	876305	Insulation Kit (14 Pieces, 3" x 24" x 48")
	978941	Insulation, Fiberglass (63 1/2" x 35 1/2" x 2 5/8")
	876029	Kit, Foam Slab (30" x 32 1/2" x 1 1/2")
	505587	Sealer, Mastic (1 Qt)
	503695	Cork, Sealer
	542638	Grease, Silicone (1/2 Oz.)
	542639	Cement, Alumilastic (1 1/4 Oz.)
	833938	Kit, Terminal Connector
	8003RP	Kit, Water Inlet TORX SCREW WRENCH
	1117510	Torx Key