

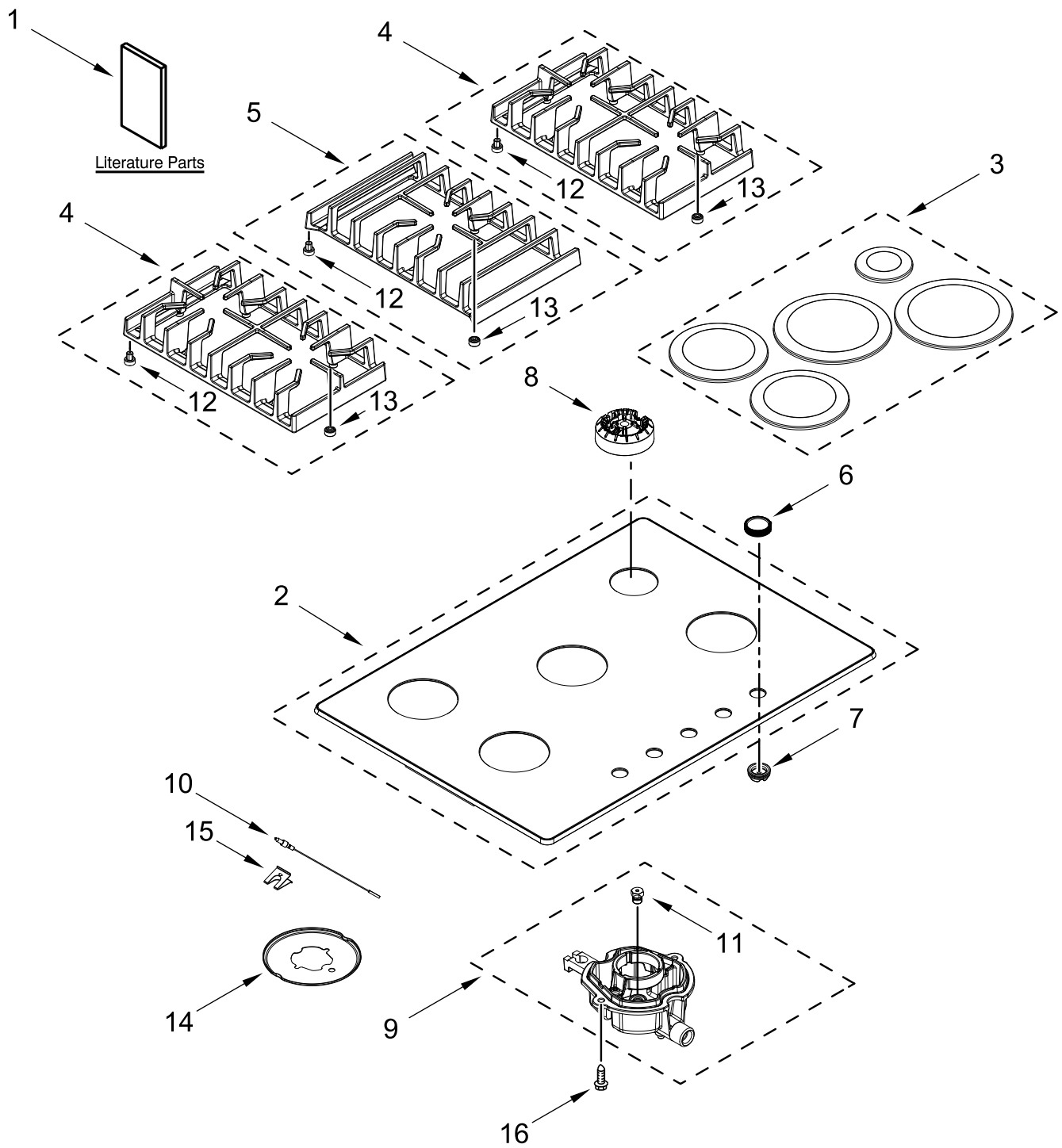
KitchenAid®

GAS COOKTOP

MODELS:

KCGG530PBL00 (Black)

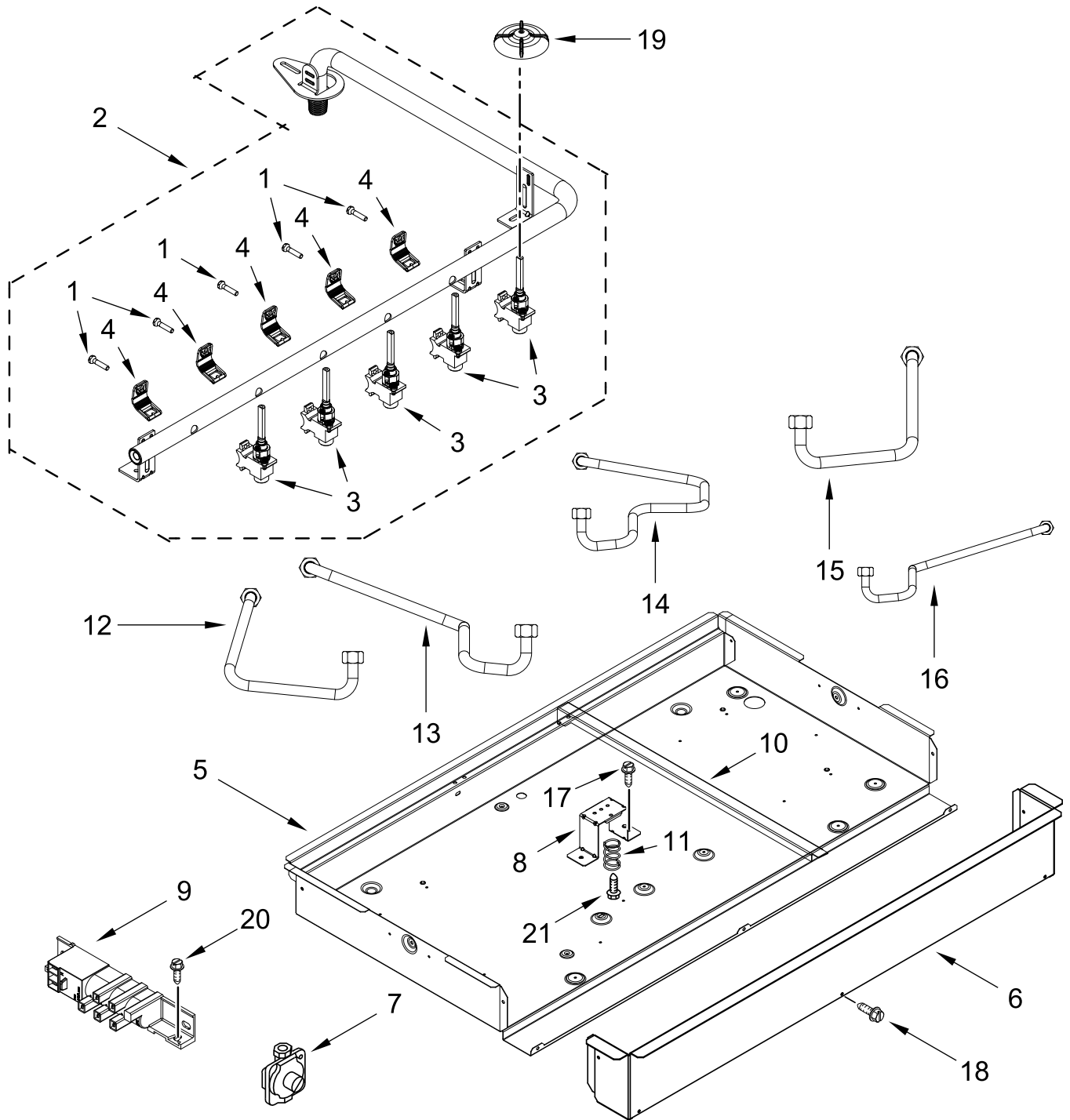
COOKTOP, BURNER AND GRATE PARTS



COOKTOP, BURNER AND GRATE PARTS

<u>Illus. No.</u>	<u>Part No.</u>	<u>Description</u>	<u>Illus. No.</u>	<u>Part No.</u>	<u>Description</u>	<u>Illus. No.</u>	<u>Part No.</u>	<u>Description</u>
1		Literature Parts	9	W11567148	Holder, Orifice (9.1K)	14	W11564390	Bezel, Burner
	W11613933	Owner's Manual			(Left Front and Left Rear)			(Left Front and Left Rear)
	W11635508	Quick Start Guide						
2		Glass Cooktop Assembly		W11567144	Holder, Orifice (18K)		W11564388	Bezel, Burner
	W11566373	Black			(Center)			(Center and Right Front)
3		Burner Cap Kit		W11567152	Holder, Orifice (15K)		W11564389	Bezel, Burner
	W11567154	Black (Includes Five Caps)			(Right Front)			(Right Rear)
4	W11591621	Grate, Side (Includes 1 Grate)		W11567151	Holder, Orifice (5K)	15	W10827923	Electrode, Spring
5	W11604881	Grate, Center	10	W11640975	Wiring, Electrode (440MM)	16	W10758282	Screw
6		Knobs, Cooktop		W11642338	Wiring, Electrode (636MM)			FOLLOWING PARTS NOT ILLUSTRATED
	W11566347	Stainless					W11632719	Harness (Switch), Main
7	W11641507	Grommet	11	W11631338	Orifice		W10878749	Harness, Spark Module
8	W11352197	Flame Spreader (Left Front and Left Rear)			(Left Front and Left Rear)		313438	Clip, Harness
	W11352193	Flame Spreader (Center and Right Front)		W11610057	Orifice (Center)		8286642	Tape, Foam
	W11352194	Flame Spreader (Right Rear)		W11567153	Orifice (Right Front)		W10392003	Cord, Power
				W11364991	Orifice (Right Rear)		W10132200	Relief, Strain
							W11573776	LP Conversion Kit
							3400015	Screw, Grounding
			12	W10598131	Foot Pad, Grate (Outer)		3801F935-51	Bracket, Tie Down
			13	W11684734	Foot Pad, Grate (Inner)		7101P062-60	Screw
								(Used For Tie Down Bracket)

BURNER BOX, GAS VALVES AND SWITCH PARTS



BURNER BOX, GAS VALVES AND SWITCH PARTS

<u>Illus. No.</u>	<u>Part No.</u>	<u>Description</u>	<u>Illus. No.</u>	<u>Part No.</u>	<u>Description</u>	<u>Illus. No.</u>	<u>Part No.</u>	<u>Description</u>
1	W10743274	Screw	9	W11350452	Spark Module	18	3196537	Screw
2	W11576647	Manifold Assembly	10	W11566318	Rail, Cooktop Reinforcement	19	W11507167	Seal, Switch Shaft
3	W11629617	Valve, Single (Left Front and Left Rear)	11	W10736113	Spring, Orifice Holder	20	7101P426-60	Screw
	W11629615	Valve, Single (Center and Right Front)	12	W11592380	Tubing, Gas Burner (Left Front)	21	W11691929	Screw
	W11629616	Valve, Single (Right Rear)	13	W11592379	Tubing, Gas Burner (Left Rear)			OPTIONAL PARTS (NOT INCLUDED)
4	8287055	Bracket, Single Valve	14	W11592377	Tubing, Gas Burner (Center)			ACCESSORIES
5		Box, Burner (Not Serviced)	15	W11592373	Tubing, Gas Burner (Right Front)	W10216179		Ring, Wok
6	W11596124	Panel, Front	16	W11592376	Tubing, Gas Burner (Right Rear)	WA906B		Scraper, Cooktop
7	W10449143	Regulator, Pressure	17	W10443110	Screw			
8	W11596768	Bracket, Orifice Holder						