

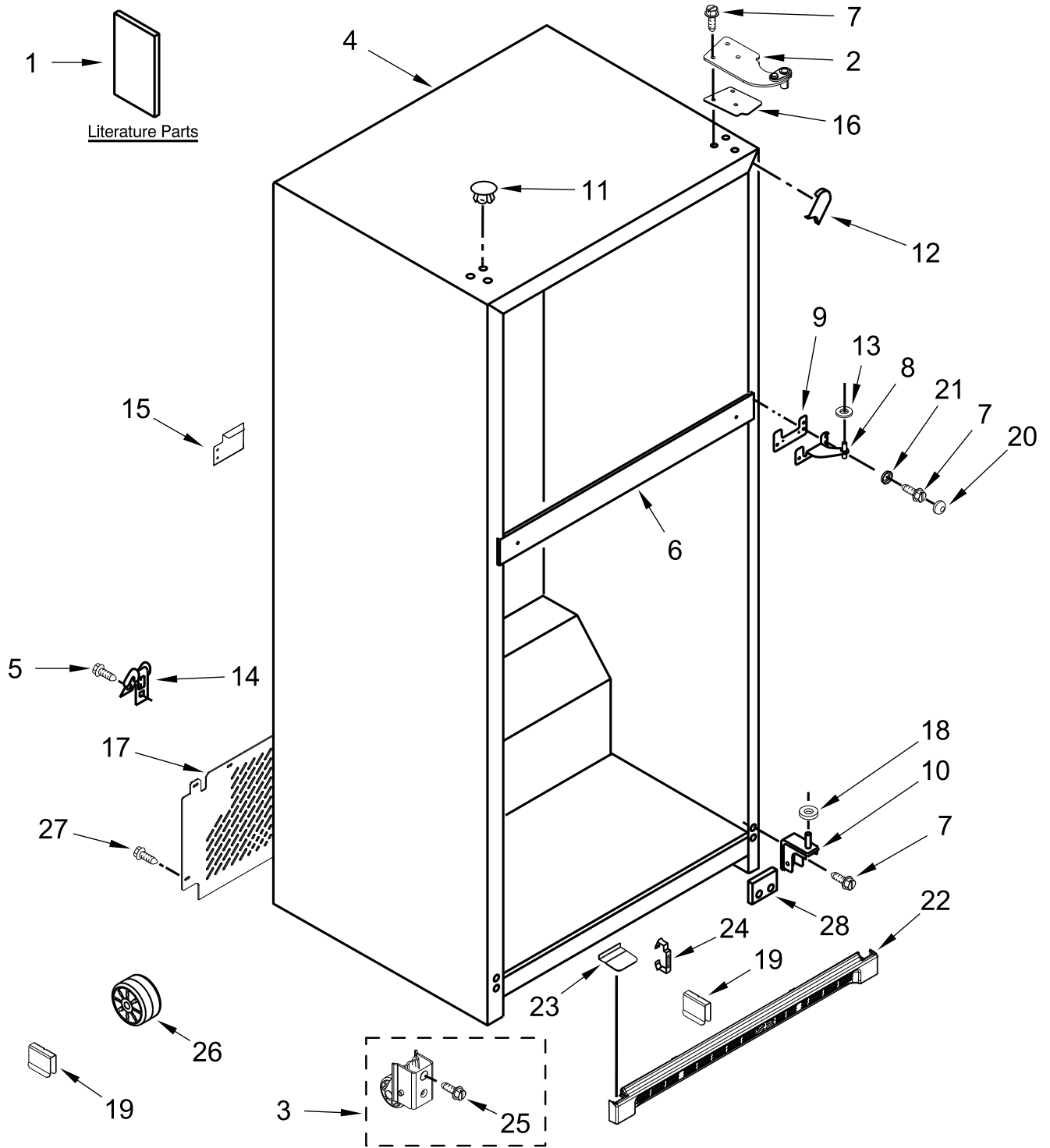


REFRIGERATOR

MODELS:

WRT541SZDZ03 (Stainless)

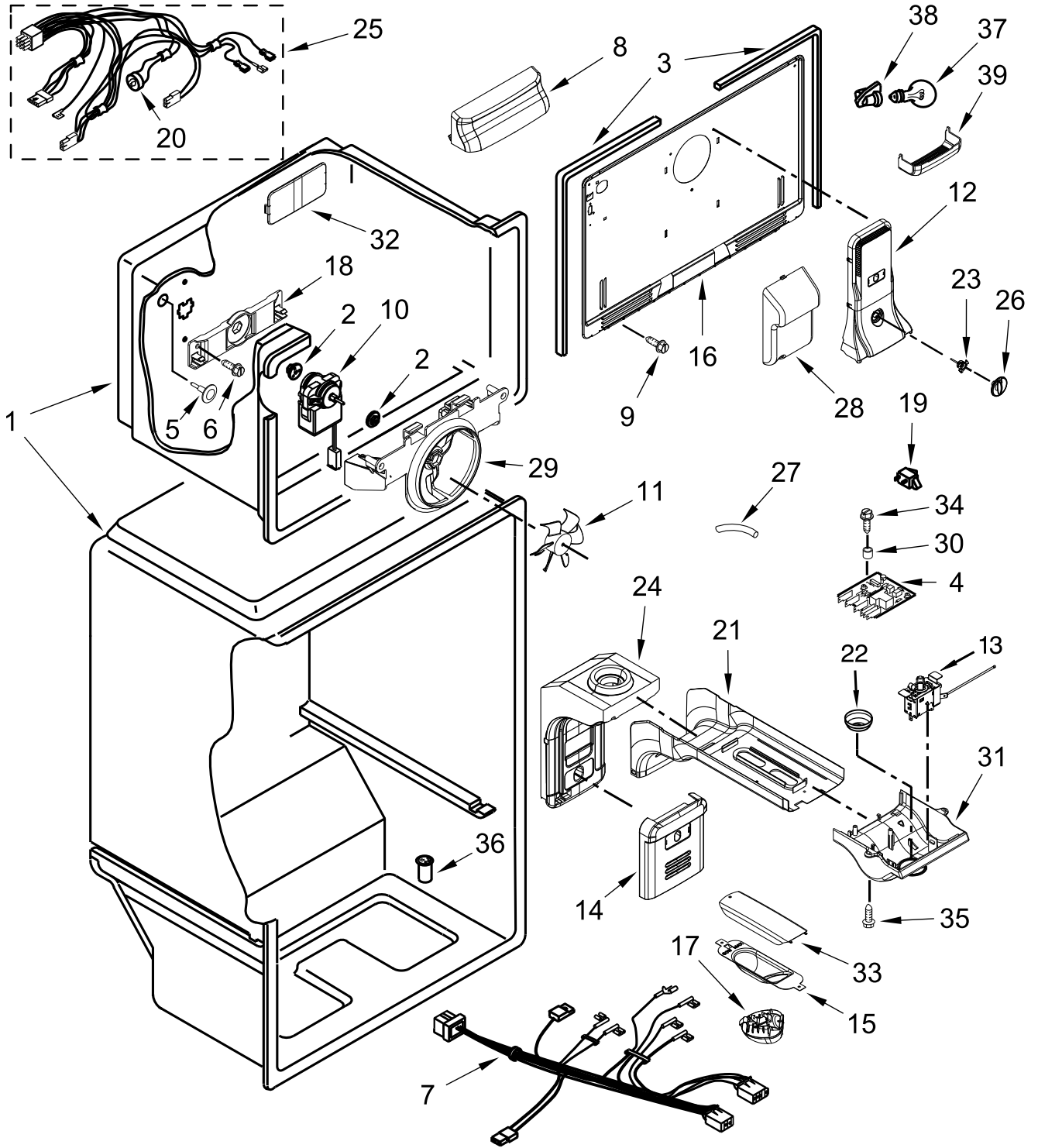
CABINET PARTS



CABINET PARTS

<u>Illus.</u> <u>No.</u>	<u>Part No.</u>	<u>Description</u>	<u>Illus.</u> <u>No.</u>	<u>Part No.</u>	<u>Description</u>	<u>Illus.</u> <u>No.</u>	<u>Part No.</u>	<u>Description</u>
1		Literature Parts	9	2183852	Shim, Hinge Center	20		Cap, Dome
	W11511783	Service & Wiring Sheet	10	2254473	Hinge, Bottom		W10679139	Grey
	W11507956	Use and Care Guide	11		Plug, Hole	21	W10674773	Cap, Washer Dome
	W11644018	Energy Guide		W10520307	Grey	22		Grille
	W11656390	Assembly, Top Right Hinge	12		Filler, Wrapper		W10592144	Grey
				W11219642	Grey	23		Cover, Toe Grille
3	W10725960	Assembly, Roller	13	489341	Washer, Plastic		W10468611	Grey
4		Cabinet (Not Serviced)	14	W11242280	Clamp, Power Cord	24	2254385	Clip, Grille
5	489442	Screw	15	W11458717	Access Cover, Valve	25	W10142287	Screw
6		Rail, Center (Not Serviced)	16	W11656515	Shim, Top Hinge	26	W10475495	Roller
7	489497	Screw	17	W11307290	Cover, Unit	27	2262176	Screw
8	2254618	Hinge, Center	18	487576	Washer, Plastic	28	2201567	Shim, Hinge (Bottom)
			19	2174706	Clip, Roller			

LINER PARTS

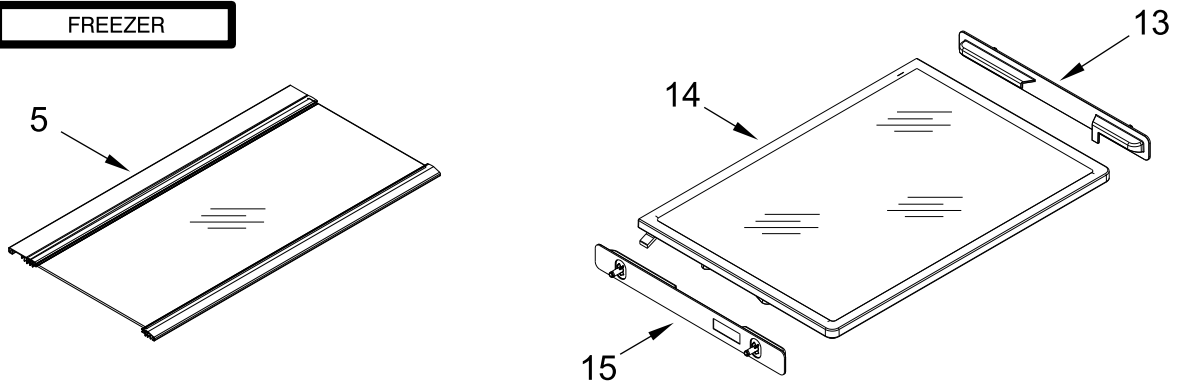


LINER PARTS

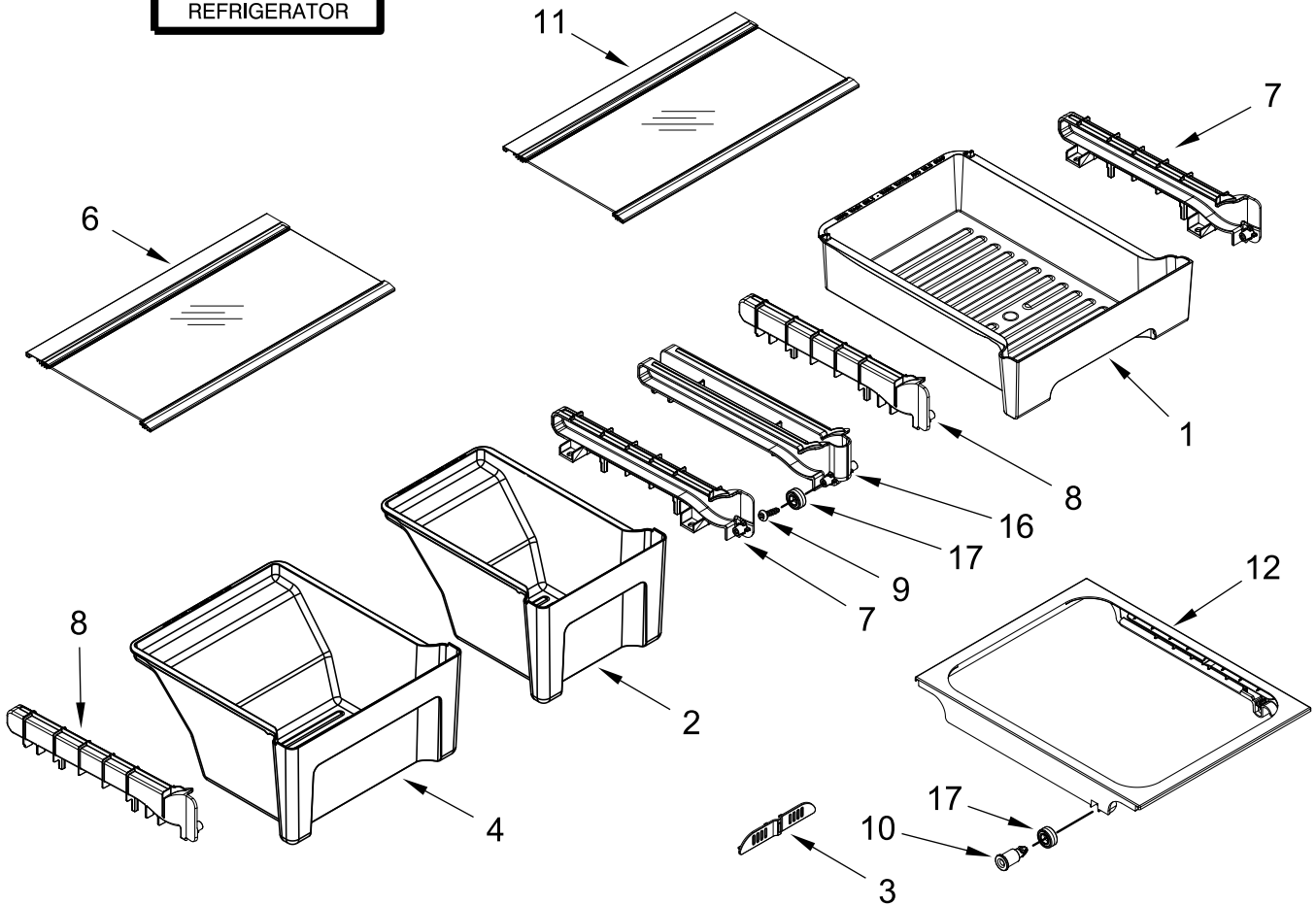
<u>Illus. No.</u>	<u>Part No.</u>	<u>Description</u>	<u>Illus. No.</u>	<u>Part No.</u>	<u>Description</u>	<u>Illus. No.</u>	<u>Part No.</u>	<u>Description</u>
1		Liner (Not Serviced)	14	W10609502	Cup, Air Diffuser	28	W11341625	Cover, Water Tube
2	2197380	Grommet	15	W10300161	Shield, Light	29	W10321162	Bracket, Fan Motor
3	2254360	Gasket, Evaporator Cover	16	W11515911	Cover, Evaporator	30	W10418502	Spacer
4	W11438735	Adaptive Defrost Control	17	W11429584	Module, LED	31	W10316941	Box, Control
5		Hole Plug	18	2254454	Bracket, Evaporator Fan Rear	32	W10336009	Cup, Screw
	941839	White	19	W11514900	Switch, Light	33	W10348614	Cover, Light
6	488208	Screw	20	W10392132	Bi-Metal, Defrost	34	W10141596	Screw
7	W11476624	Wire Assembly, Control Box	21	W10305175	Cover, Air Diffuser	35	489174	Screw
8	W10313917	Housing, Freezer Lighting	22	W10716304	Knob, Control	36	2210509	Valve, Release
9	W10142283	Screw (White)	23	W10662269	Baffle, Air Manual	37	W11160686	Lamp, LED
10	2315539	Motor, Evaporator Fan	24	W10883330	Assembly, Multiflow	38	W10440814	Socket, Light
11	2200509	Blade, Fan	25	W11314511	Assembly, Evaporator Fan Wire (Includes Defrost Bi-Metal)	39	W10313918	Lens, Light
12	W10654834	Assembly, Air Tower (FC)	26	W10570952	Knob, Air Control			
13	W11514634	Assembly, Thermostat	27	W10381575	Tube, Thermostat Barrier			

SHELF PARTS

FREEZER



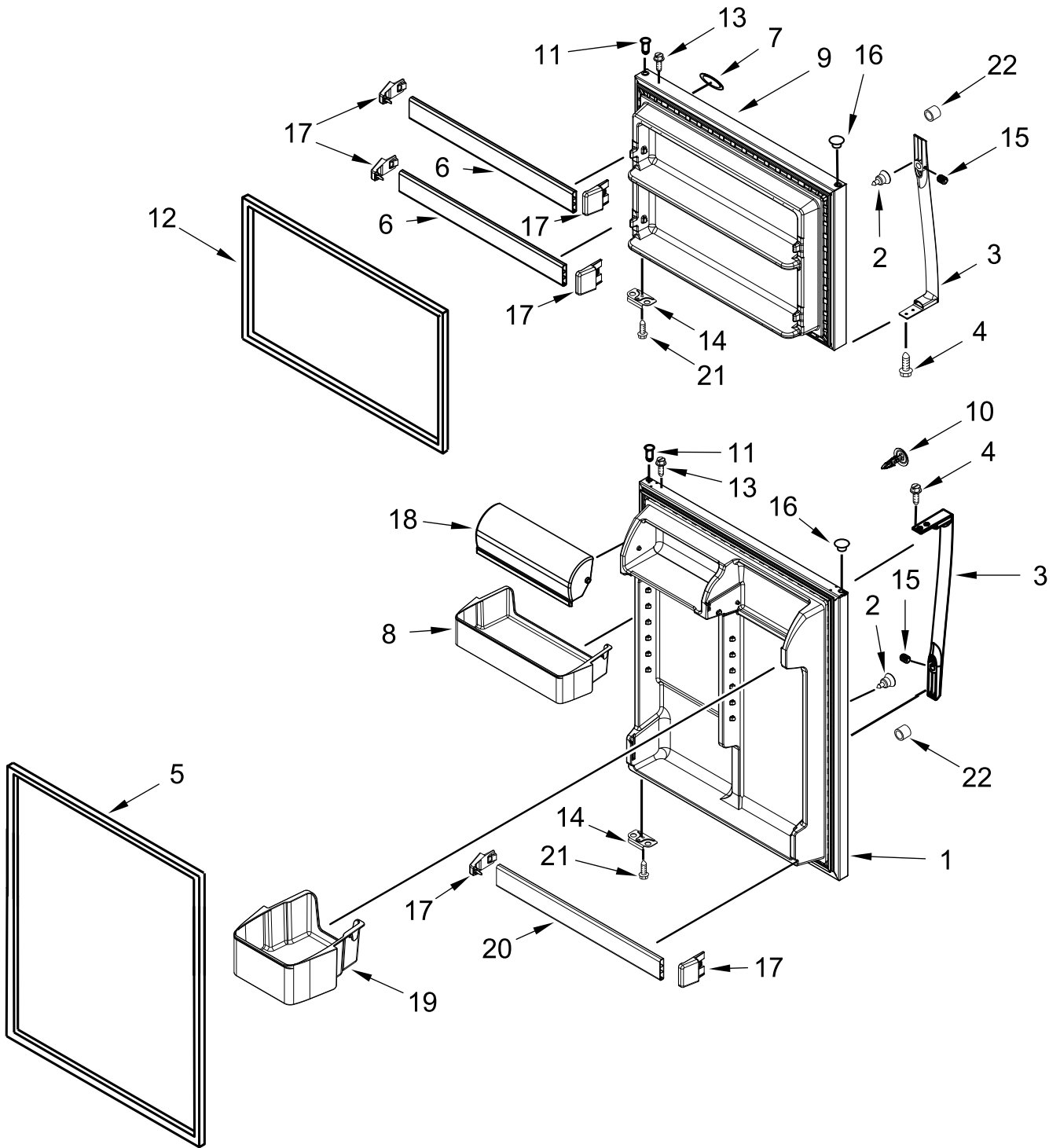
REFRIGERATOR



SHELF PARTS

<u>Illus.</u> <u>No.</u>	<u>Part No.</u>	<u>Description</u>	<u>Illus.</u> <u>No.</u>	<u>Part No.</u>	<u>Description</u>	<u>Illus.</u> <u>No.</u>	<u>Part No.</u>	<u>Description</u>
1	W10714006	Pan, Meat	8	W10694149	Track Rail, Left Hand	14	W10486291	Shelf, Freezer Glass
2	W10662133	Pan, Crisper	9	3400065	Screw (Stainless)	15	W11395919	Support, Freezer Shelf (Left Side)
3	W10356844	Control, Humidity	10	W10628712	Axle, Roller	16	W10694150	Rail, Center Track
4	W10663427	Pan, Crisper 16"	11	W10691487	Assembly, Shelf	17	W10628713	Roller, Pan
5	W11553156	Assembly, Shelf	12	W10628698	Holder, Meat Pan			
6	W11553155	Assembly, Shelf RC	13	W11395921	Support, Freezer Shelf (Right Side)			
7	W10694151	Track Rail, Right Hand						

DOOR PARTS



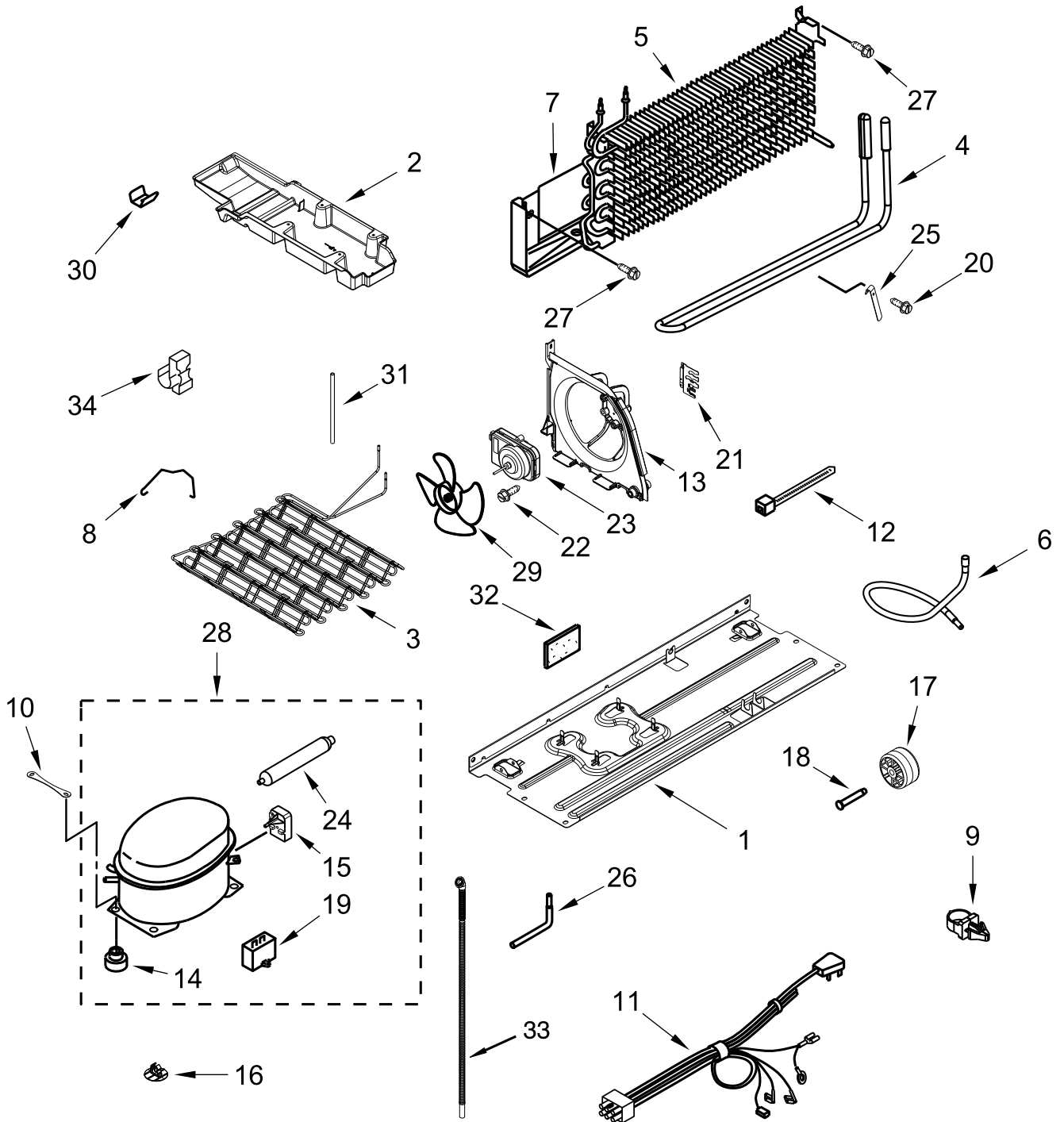
DOOR PARTS

<u>Illus. No.</u>	<u>Part No.</u>	<u>Description</u>
1		Refrigerator Door (Includes Door Gasket)
	W10856289	Stainless
2	489357	Screw
3		Handle, Door (Includes Illus. 15)
	W10653471	Stainless
4	W10170540	Screw
5		Gasket, Door
	W11406600	Grey
6	W10592150	Trim, Door
7	W10884775	Badge

<u>Illus. No.</u>	<u>Part No.</u>	<u>Description</u>
8	W10308868	Bin, Large Door
9		Freezer Door (Includes Door Gasket)
	W10856291	Stainless
10		Plug, Hole
	W10663739	Grey
11		Thimble, Top
	W10334042	Black
12		Gasket, Door
	W11406598	Grey
13	8281206	Screw
14	2189202	Bracket, Door Stop

<u>Illus. No.</u>	<u>Part No.</u>	<u>Description</u>
15	W10010140	Set Screw (Silver)
16		Plug, Hinge Sleeve
	2254517	Grey
17	W10592153	Cap, Trim End
18	W10601425	Compartment, Door
19	W10308869	Bin, Medium
20	W10592148	Trim, Door
21	489276	Screw
22	W10511911	Bushing, Handle

UNIT PARTS



UNIT PARTS

<u>Illus.</u> <u>No.</u>	<u>Part No.</u>	<u>Description</u>	<u>Illus.</u> <u>No.</u>	<u>Part No.</u>	<u>Description</u>	<u>Illus.</u> <u>No.</u>	<u>Part No.</u>	<u>Description</u>
1	W11396825	Baseplate	11	W11430967	Harness, Unit	25	W11399989	Heat Probe
2	W10802027	Tray, Drain	12	2263990	Tie, Wire	26	2174739	Tube, Process
3	W10609393	Condenser (Also Order the Following Lokring Parts)	13	W11509373	Bracket, Condenser Fan	27	489442	Screw
	W11578570	7/4.5 NR MS 00 (High Side to Condenser)	14	W10806346	Grommet, Compressor	28	W11332033	Compressor (Also Order the Following Lokring Parts)
	W11506624	4 NK MS 00 (Suction Line to Condenser)	15	W11359381	Device, Combination Start (Start Relay and Overload)		W11506619	8 NK MS 00 (Suction Tube to Compressor)
4	W11340898	Heater, Defrost	16	W10815861	Clip, Bottom Cover		W11578570	7/4.5 NR MS 00 (High Pressure Side to Compressor)
5	W11282685	Assembly, Evaporator (Also Order the Following Lokring Parts)	17	W10475495	Roller		W11506619	8 NK MS 00 (Process Tube to Compressor)
	W11504450	4/1.8 NR MS 00 (Capillary Tube to Evaporator)	18	2179826	Axle, Rivet	29	W10817071	Blade, Fan
	W11506619	8 NK MS 00 (Suction Line to Evaporator)	19	W10590083	Capacitor	30	W10248621	Clip, Condenser
6	W11518248	Tube, Suction	20	489478	Screw	31	2171931	Body, Valve Tube
7	W11377819	Heat Shield	21	W11340313	Bracket, Evaporator	32	2215468	Insulation, Sound
8	W11495051	Strap, Bale	22	8533961	Screw	33	W11577795	Tube, Drain
9	2219077	Clip, Harness	23	W10909387	Motor, Condenser Fan	34	2326941	Clip, Wire
10	W10236396	Strap, Compressor	24	W10805035	Drier (Service Drier Without Dye) (Also Order the Following Lokring Parts)			REFRIGERANT CHARGE 47 grams (R600A)
				W11504445	5/4 NR MS 00 (Heat Loop to Drier)			
				W11504447	5/1.8 NR MS 00 (Capillary Tube to Drier)			

OPTIONAL PARTS

<u>Illus. No.</u>	<u>Part No.</u>	<u>Description</u>	<u>Illus. No.</u>	<u>Part No.</u>	<u>Description</u>	<u>Illus. No.</u>	<u>Part No.</u>	<u>Description</u>
		FOLLOWING PARTS NOT ILLUSTRATED		503695	Cork, Sealer			Important: The spray paint is not to be used where the paint may make contact with the door gaskets.
				8003RP	Kit, Water Inlet			
978941		Insulation, Fiberglass (63 1/2" x 35 1/2" x 2 5/8")			PAINT, TOUCH-UP (1/2oz.)			
212643		Sealer, Gum (4 Feet)		72017	White	W10662124		Door Reversal Kit, White Model
479502		Tape, Vinyl (3/4 x 108")		72032	Black	W10676239		Door Reversal Kit, Black Model
876305		Insulation Kit (14 Pieces, 3" x 24" x 48")	W10134625	4392899	Biscuit and Bisque	W10676240		Door Reversal Kit Stainless Model
876370		Insulation (2 Pieces, 3" x 24" x 48")			Apollo Grey PAINT, PRESSURIZED SPRAY (12 oz.)			FIELD INSTALLABLE ICE MAKER
876029		Kit, Foam Slab (30" x 32 1/2" x 1 1/2")		350942	White Primer	W11698621		Complete Ice Maker Kit
505587		Sealer, Mastic (1 Qt)		350939	Enamel, Black			TORX SCREW WRENCH
511873		White Porcelain (2 oz.)		350930	White			
542638		Grease, Silicone (1/2 Oz.)		4392901	Biscuit and Bisque	1117510		Torx Key
542639		Cement, Alumilastic (1 1/4 Oz.)			Important: The spray paint is not to be used where the paint may make contact with the door gaskets.			
606755		Bag			PAINT, BULK (1 qt.)			
833938		Kit, Terminal Connector		799344	White (Uncut)			
				4392900	Biscuit/Bisque			