

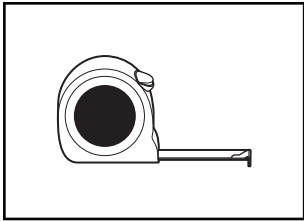
Adjustable Toe Panel Installation Instructions

INSTALLATION REQUIREMENTS

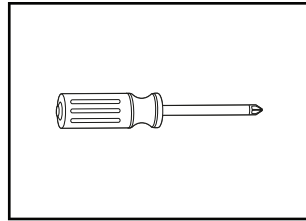
Tools and Parts

Gather the recommended tools and parts before starting installation. Read and follow the instructions provided with any tools listed here.

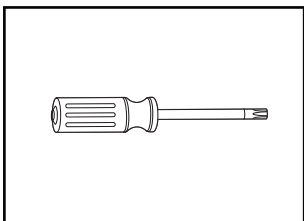
Tools Needed:



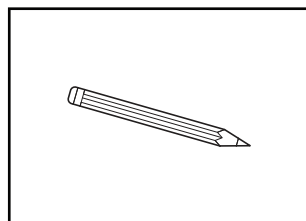
Measuring tape



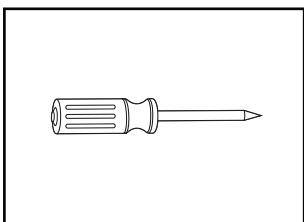
Phillips screwdriver



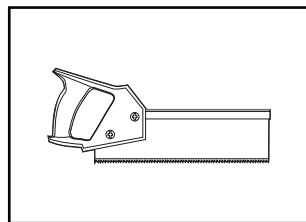
T30 Torx screwdriver



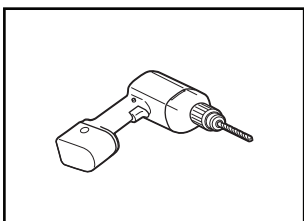
Pencil



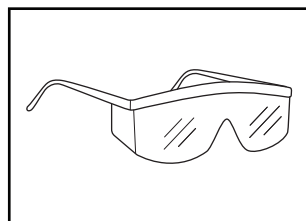
Awl



Saw

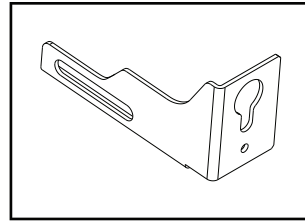


Drill

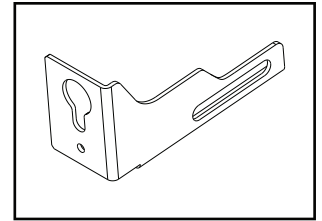


Safety Glasses

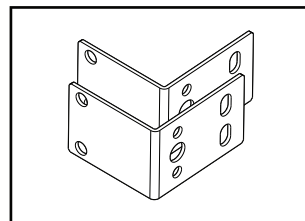
Parts Supplied:



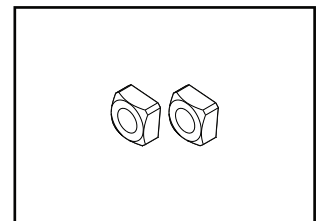
Left sliding bracket



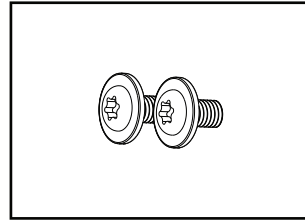
Right sliding bracket



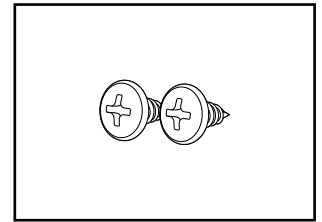
Stationary brackets (2)



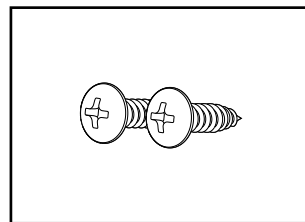
Square nut (2)



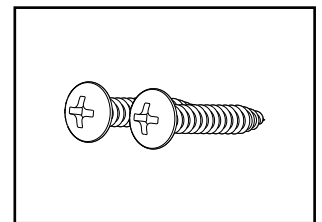
Machine Screw M6 (2)



Sheet Metal Black Screw - Short (2)



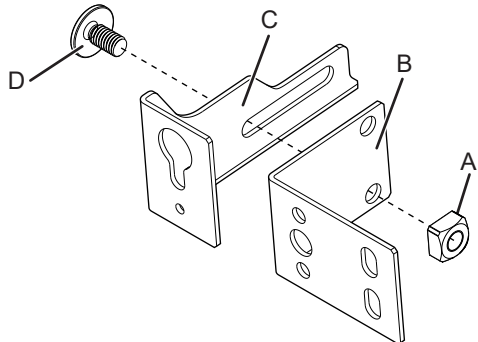
Sheet Metal Black Screw - Medium (2)



Sheet Metal Black Screw - Long (2)

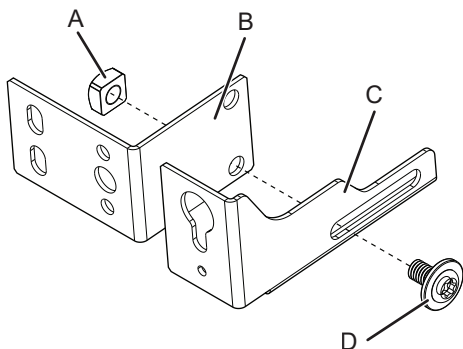
INSTALLATION INSTRUCTIONS

1. Assemble the left side Adjustable Bracket Assembly by bolting the Left Sliding Bracket to 1 of the 2 Stationary brackets using 1 Machine Screw M6 and 1 Square Nut as shown below.



A - Square Nut C - Left Sliding Bracket
B - Stationary Bracket D - Machine Screw M6

2. Assemble the right side Adjustable Bracket Assembly by bolting the Right Sliding Bracket to the other Stationary bracket using 1 Machine Screw M6 and 1 Square Nut as shown below.

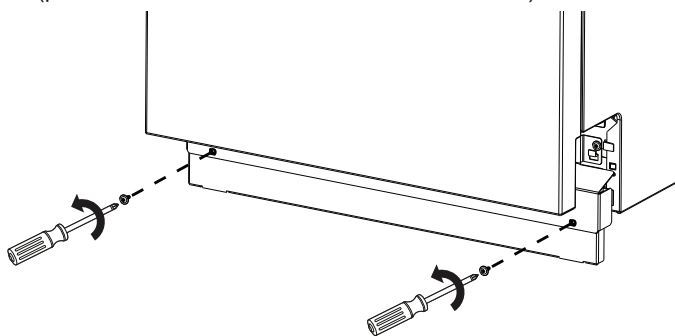


A - Square Nut C - Right Sliding Bracket
B - Stationary Bracket D - Machine Screw M6

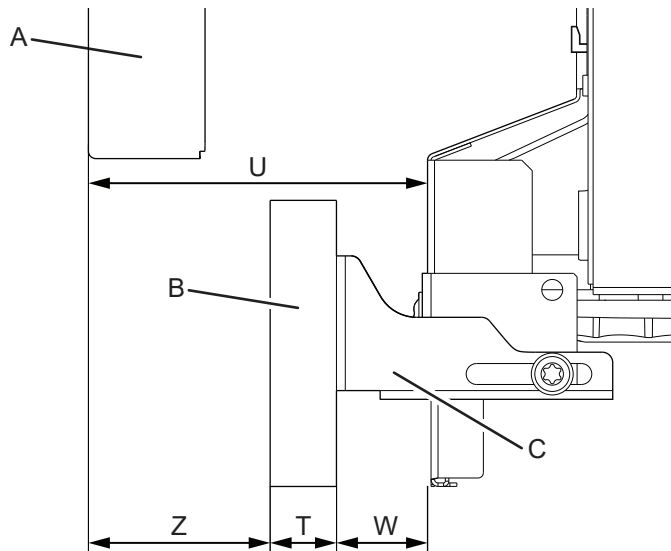
3. Install the dishwasher at the desired depth into the cabinet and level the dishwasher to the desired height under the countertop (per installation instructions in Owners Manual).

* Before installing the adjustable bracket assemblies, verify that the height of your Custom Toe Panel will not interfere with the closed door by placing the toe panel just under the door and checking for acceptable vertical clearance.

4. Remove the Toe Panel screws (2) that attach the toe and Access Panels which come installed with the dishwasher (per installation instructions in Owners Manual)



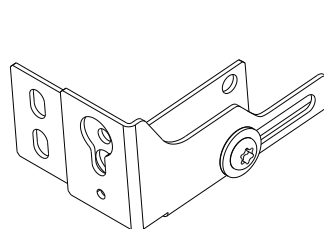
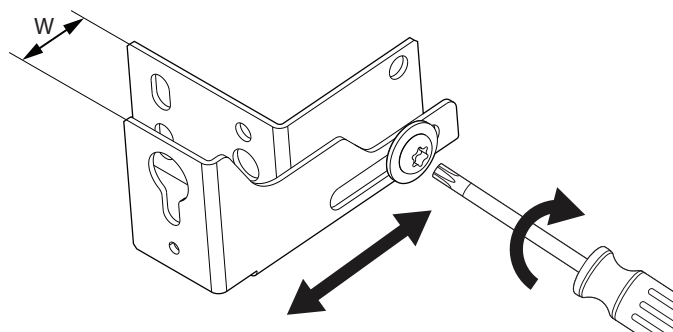
5. Adjust each Sliding Bracket of each Adjustable Bracket Assembly in the front to back direction (W) to achieve the desired depth (Z) of the Custom Toe Panel and tighten the Machine Screws M6. $W=U-Z-T$



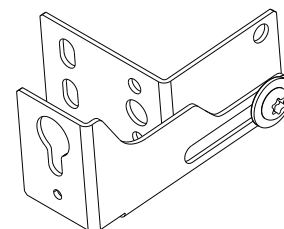
$$W=U-Z-T$$

U - Distance from Front Door to Access Panel
Z - Desired Custom Toe Panel Depth
T - Custom Toe Panel Thickness

A - Front Door C - Adjustable Bracket Assembly
B - Custom Toe Panel

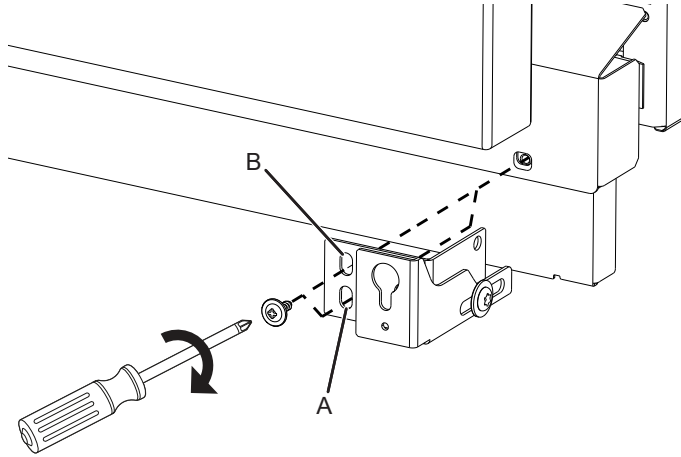


W = minimum value



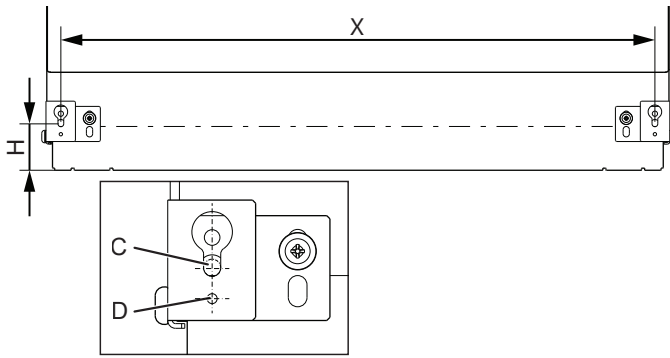
W = maximum value

6. Install the Adjustable Bracket Assembly on each side in front of the Access Panel using the 2 screws from Step-4. For cabinet height 32 5/16" - 33 1/4" (820 mm - 845 mm) use lower elongated hole (A); For cabinet height 33 1/4" - 35 5/16" (845 mm - 900 mm) use upper elongated hole (B)

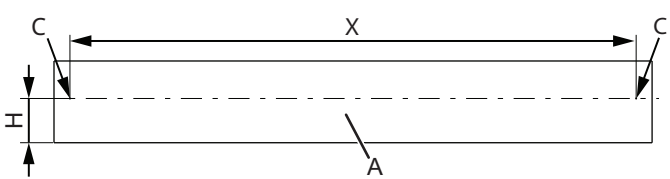


A - hole for cabinet height 32 5/16" - 33 1/4" (820 mm - 845 mm)
 B - hole for cabinet height 33 1/4" - 35 5/16" (845 mm - 900 mm)

7. Measure the distance between center line of each keyholes on the Adjustable Bracket Assembly, dimension "X" and distance from the floor to the center point C, dimension "H".



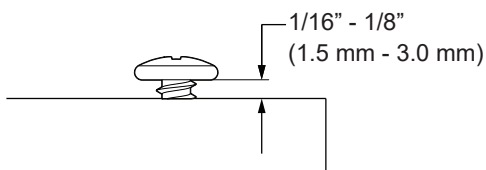
8. Using the dimension measured in step-7, mark the locations for the 2 custom panel attachment Sheet Metal Black Screws, shown below.



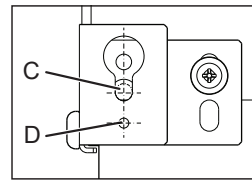
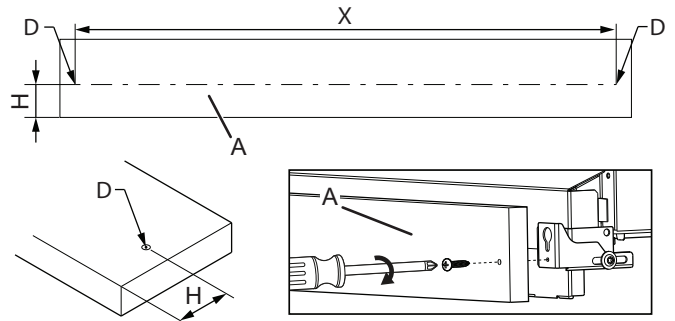
A - Custom Toe Panel

9. Using a 1/16" diameter drill bit, drill a small pilot hole for each of the 2 Sheet Metal Black Screws at the locations marked on the custom panel in step 8.

- 10a. Install the 2 Sheet Metal Black Screws into the holes you drilled in step 9 and tighten them until they are 1/16" to 1/8" (1.5 mm - 3.0 mm) from flush to the Custom Toe Panel as shown below.

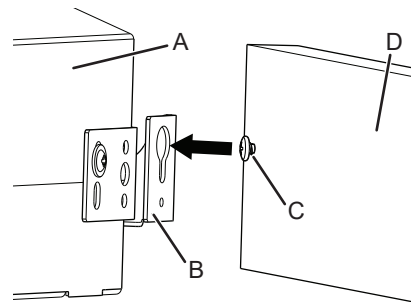


- 10b. For front installed screws: Alternately, the custom panel attachment screws can be driven from the front side of the Custom Toe Panel. Drill larger clearance holes at the desired height (point D) for the attachment screws and drive the screws from the front through the Custom Toe Panel into the mounting holes just below the keyholes. Skip step 11.



A - Custom Toe Panel

11. Install the Custom Toe Panel onto the Adjustable Bracket Assemblies by inserting the heads of the Sheet Metal Black Screws that were added to the Custom Toe Panel in step 10 into the keyholes of the Sliding Brackets and sliding the Custom Toe Panel down to lock it onto the bracket.



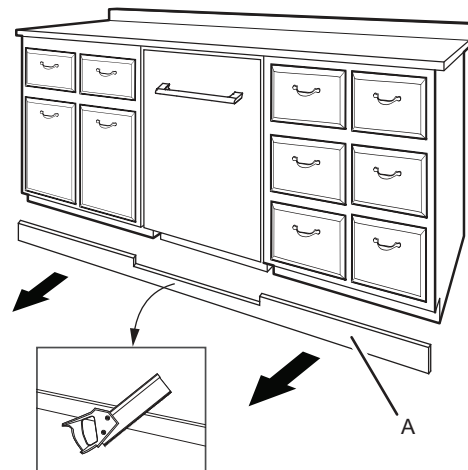
A - Access Panel

C - Sheet Metal Black Screw

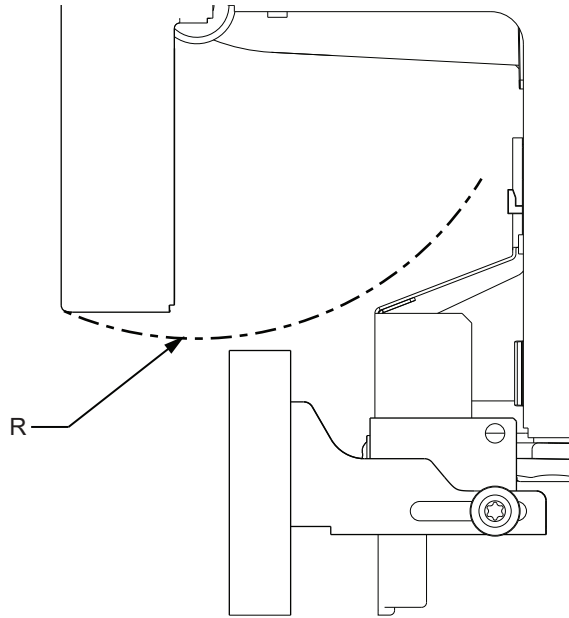
B - Sliding Bracket

D - Custom Toe Panel

12. Open and close the dishwasher door fully to verify no interference of door to the Custom Toe Panel top edge. If the door does interfere with the Custom Toe Panel, the top edge of the Custom Toe Panel will need to be trimmed until there is no interference between the door & toe panel.



A - Custom Toe Panel



R - door opening trajectory

