

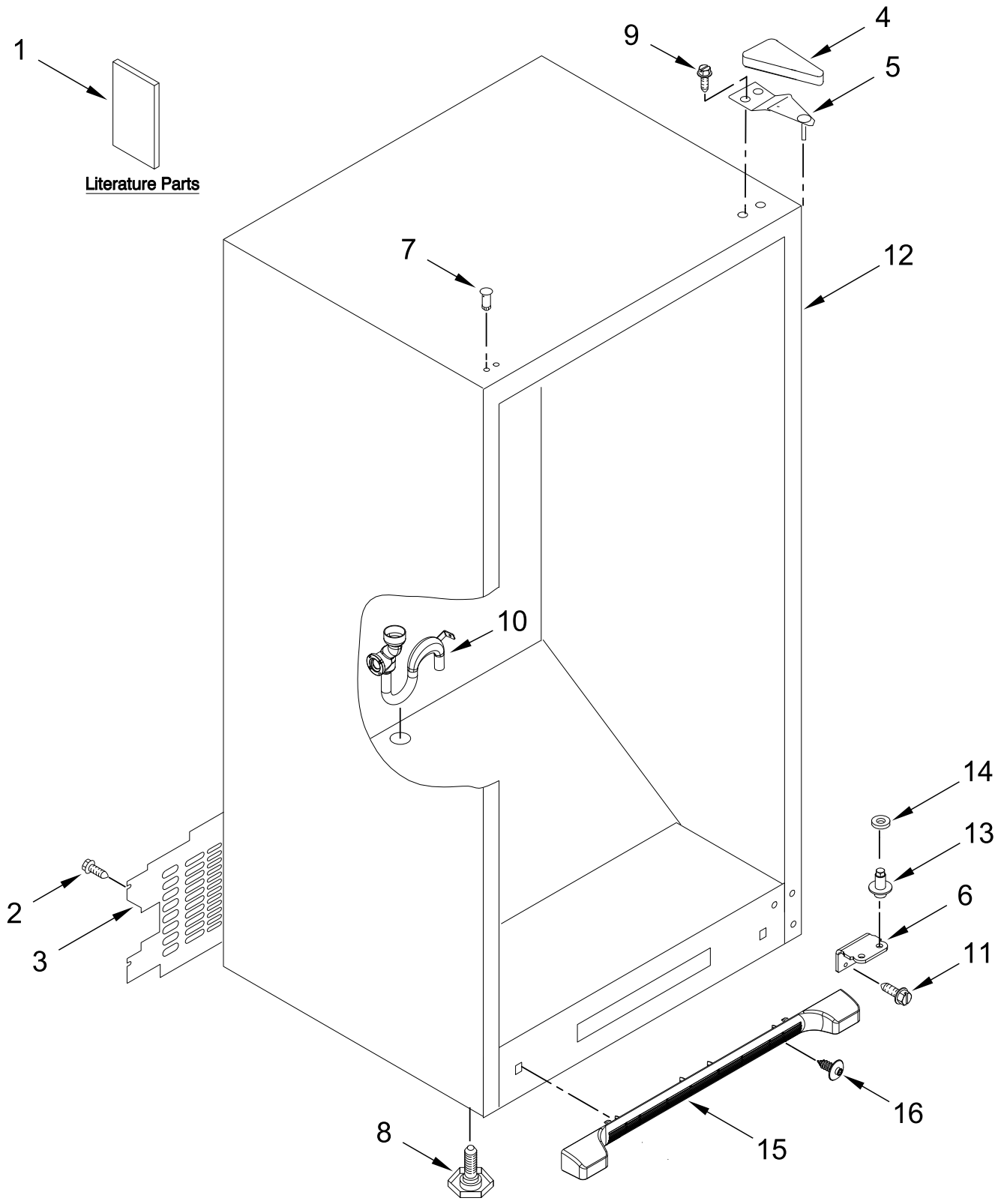


VERTICAL FREEZER

MODELS:

WZF57R16FW10 (White)

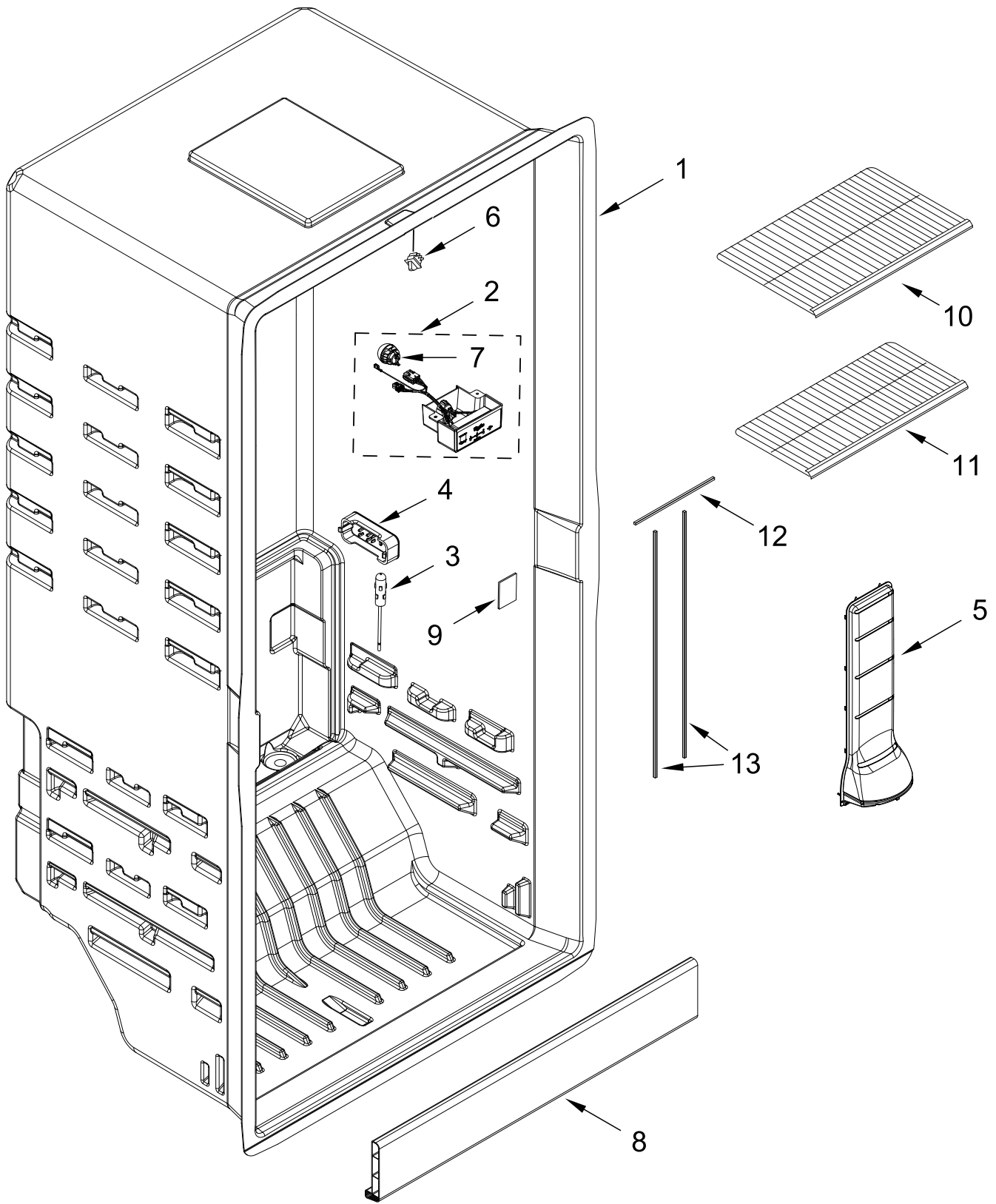
CABINET PARTS



CABINET PARTS

| <u>Illus. No.</u> | <u>Part No.</u> | <u>Description</u> | <u>Illus. No.</u> | <u>Part No.</u> | <u>Description</u> | <u>Illus. No.</u> | <u>Part No.</u> | <u>Description</u> |
|-------------------|-----------------|---------------------|-------------------|-----------------|---------------------|-------------------|-----------------|----------------------------------|
| 1 | | Literature Parts | 6 | | Plate, Bottom Hinge | 12 | | Cabinet (Not A Serviceable Part) |
| | W11507042 | Owner's Manual | | W10574264 | White | 13 | W10574325 | Pin, Lower Hinge |
| | W11644309 | Energy Guide | 7 | | Plug, Hole | 14 | 487576 | Washer, Plastic |
| | W11510230 | Tech Sheet | | W10520304 | White | 15 | | Grille |
| 2 | 3-80675-105 | Screw | 8 | 3-82710-001 | Leg, Leveler | | W10534166 | White |
| 3 | W11293957 | Cover, Unit | 9 | 3400113 | Screw | 16 | W11546558 | Screw (White) |
| 4 | | Cover, Hinge | 10 | W11291514 | Tube, Drain | | | |
| | 2213360 | White | 11 | W10709365 | Screw | | | |
| 5 | W11638835 | Assembly, Top Hinge | | | | | | |

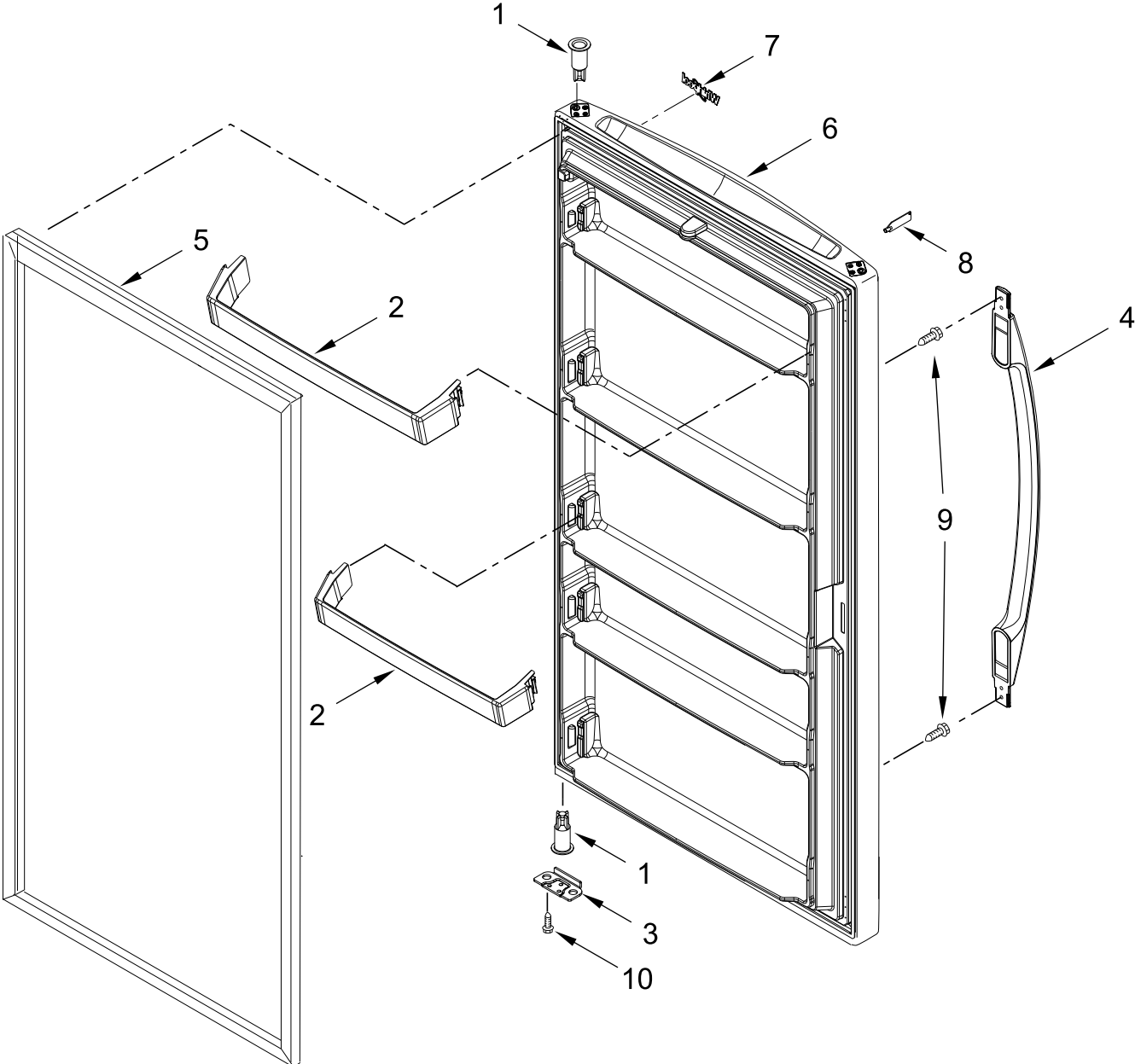
LINER PARTS



LINER PARTS

| <u>Illus.</u> <u>No.</u> | <u>Part No.</u> | <u>Description</u> | <u>Illus.</u> <u>No.</u> | <u>Part No.</u> | <u>Description</u> | <u>Illus.</u> <u>No.</u> | <u>Part No.</u> | <u>Description</u> |
|-----------------------------|-----------------|--------------------------------|-----------------------------|-----------------|-----------------------|-----------------------------|-----------------|--------------------------------|
| 1 | | Liner (Not A Serviceable Part) | 6 | W11514900 | Switch, Light | 12 | W10574564 | Gasket, Air Tower (Horizontal) |
| 2 | W11555883 | Assembly, Control | 7 | W11254095 | Module, LED | 13 | W10574563 | Gasket, Air Tower (Vertical) |
| 3 | W10384183 | Thermistor | 8 | W10581588 | Trim, Door | | | |
| 4 | W10608692 | Cover, Thermistor | 9 | 1-60123-001 | Cover, Ice maker Hole | | | |
| 5 | W10574403 | Air Tower | 10 | W10569280 | Wire Shelf, Deep | | | |
| | | | 11 | W10569281 | Wire Shelf, Shallow | | | |

DOOR PARTS



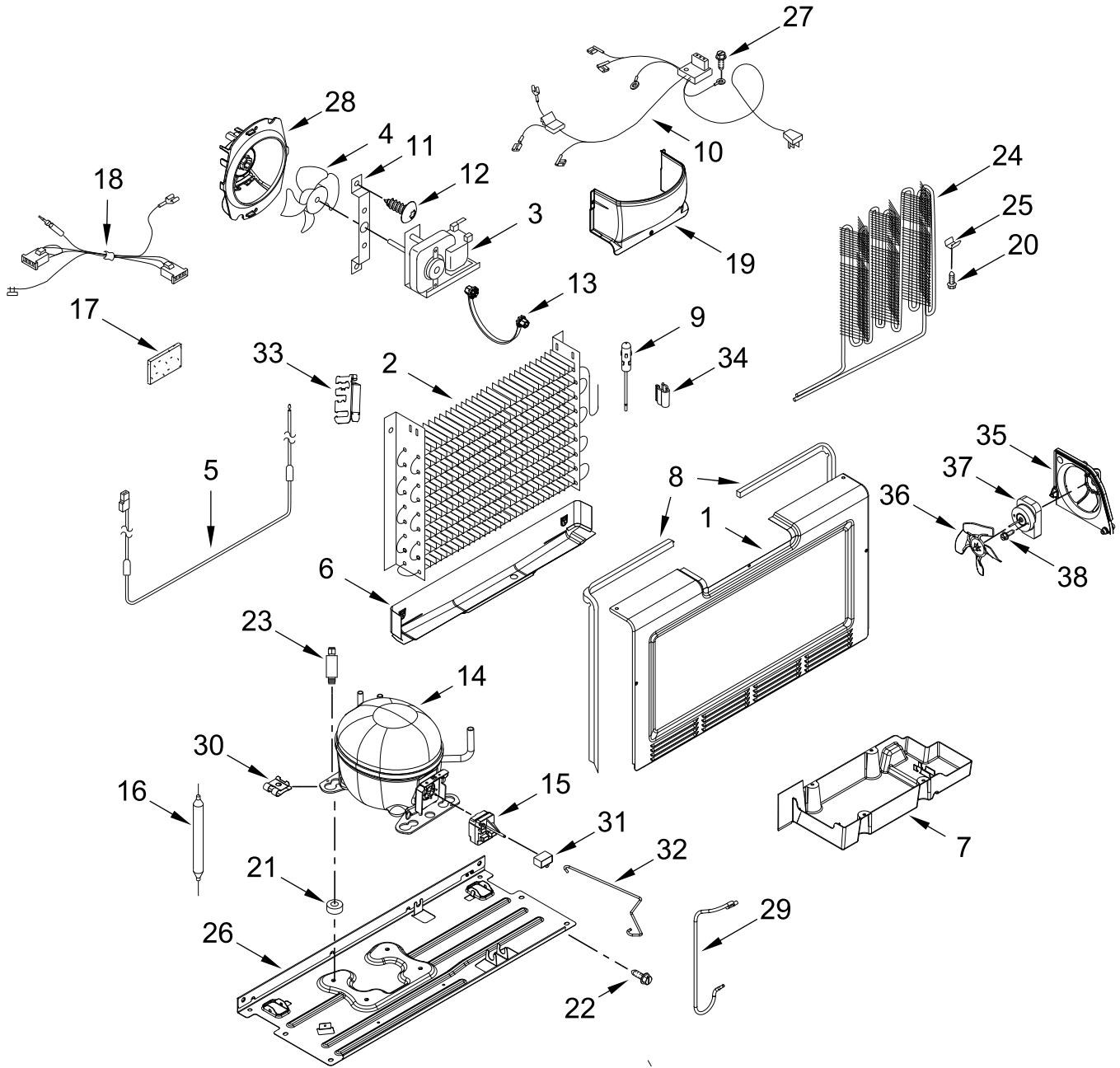
DOOR PARTS

| <u>Illus.</u> <u>No.</u> | <u>Part No.</u> | <u>Description</u> |
|-----------------------------|-----------------|--------------------|
| 1 | 2314293 | Thimble |
| 2 | W10737497 | Rail, Door Shelf |
| 3 | W10628869 | Bracket, Door Stop |
| 4 | | Handle, Door |
| | W10612702 | White |
| 5 | | Gasket, Door |
| | W10733691 | White |

| <u>Illus.</u> <u>No.</u> | <u>Part No.</u> | <u>Description</u> |
|-----------------------------|-----------------|----------------------------------|
| 6 | | Door Assembly (Includes Lock) |
| | W10574702 | White |
| 7 | W10884775 | Badge |
| 8 | 2-80060-106 | Key |

| <u>Illus.</u> <u>No.</u> | <u>Part No.</u> | <u>Description</u> |
|-----------------------------|-----------------|--------------------|
| 9 | W10460893 | Screw |
| 10 | 7101P356-60 | Screw |

UNIT PARTS



UNIT PARTS

| <u>Illus.</u> <u>No.</u> | <u>Part No.</u> | <u>Description</u> | <u>Illus.</u> <u>No.</u> | <u>Part No.</u> | <u>Description</u> | <u>Illus.</u> <u>No.</u> | <u>Part No.</u> | <u>Description</u> |
|-----------------------------|-----------------|--|-----------------------------|-----------------|---|-----------------------------|-----------------|--|
| 1 | W10574307 | Cover, Evaporator | 14 | W11332031 | Compressor | 22 | W10142287 | Screw |
| 2 | W11490402 | Evaporator (Also Order the Following Lokring Parts) | | | (Also Order the Following Lokring Parts) | 23 | W10720825 | Screw |
| | W11504450 | 4/1.8 NR MS 00 (Capillary Tube to Evaporator) | | W11504420 | 8/6 NR MS 00 (Suction Tube to Compressor) | 24 | W10574289 | Condenser Assembly (Also Order the Following Lokring Parts) |
| | W11504420 | 8/6 NR MS 00 (Suction Line to Evaporator) | | W11504431 | 7/5 NR MS 00 (Discharge Tube to Compressor) | | W11578570 | 7/4.5 NR MS 00 (Discharge Tube to Condenser) |
| 3 | W10574477 | Motor, Evaporator Fan | | W11506622 | 6.35 NK AL 00 (Charging Tube to Compressor) | | W11506623 | 5 NK MS 00 (Suction Line to Condenser) |
| 4 | 2169142 | Blade, Fan | | W11506635 | Tube, Charging (1/4 in w/ Schrader Valve) | 25 | W10248621 | Clip, Condenser |
| 5 | W11340898 | Heater, Defrost | | | | 26 | W10574278 | Pan, Compressor |
| 6 | W11483529 | Shield, Heat | 15 | W11359985 | Device, Start | 27 | 1-80257-102 | Screw |
| 7 | W10574291 | Pan, Evaporator Drain | 16 | W10805035 | Drier (Service Drier Without Dye) | 28 | W10574469 | Shroud, Evaporator Fan |
| 8 | W10574305 | Gasket, Evaporator Cover | | | (Also Order the Following Lokring Parts) | 29 | W11591093 | Tube, Suction |
| 9 | W10384183 | Thermistor | | W11506623 | 5 NK MS 00 Drier to Condenser | 30 | W10697017 | Clip, Retaining |
| 10 | W11526288 | Harness, Unit (Includes Power Cord) | | W11504448 | 5/1.8 NR AL 00 (Capillary Tube to Drier) | 31 | W11584490 | Run Capacitor |
| 11 | 13058002 | Clip, Evaporator Motor | | | | 32 | W11379613 | Strap, Bale |
| 12 | W11546547 | Screw | | | | 33 | W11452250 | Bracket, Evaporator |
| 13 | W10150583 | Grommet, Fan Motor | | | | 34 | W11437914 | Clip, Evaporator Thermistor |
| | | | 17 | 2169104 | Insulation, Sound Deadening | 35 | W11509373 | Bracket, Condenser Fan |
| | | | 18 | W11453619 | Harness, Evaporator Fan | 36 | W10139483 | Blade, Condenser Fan |
| | | | 19 | W10574274 | Cover, Evaporator Fan | 37 | W10909387 | Motor, Condenser Fan |
| | | | 20 | W10142294 | Screw | 38 | 8533961 | Screw |
| | | | 21 | 10835903 | Grommet | | | REFRIGERANT CHARGE 40 grams (R600a) |

OPTIONAL PARTS (NOT INCLUDED)

| <u>Illus.</u> <u>No.</u> | <u>Part No.</u> | <u>Description</u> |
|-----------------------------|-----------------|--|
| | | PAINT, PRESSURIZED SPRAY (12 oz.) |
| | 350942 | White Primer |
| | 350930 | White |
| | | Important: The spray paint is not to be used where the paint may make contact with the door gaskets. |
| | | TOUCH-UP PAINT |
| | 72017 | White |
| | | PAINT, BULK (1 QT.) |
| | 799344 | White (Uncut) |
| | | MISCELLANEOUS |
| | 212643 | Sealer, Gum (4 Feet) |
| | 479502 | Tape, Vinyl (3/4 x 108") |
| | 505587 | Sealer, Mastic (1 Qt) |
| | 503695 | Cork, Sealer |
| | 542638 | Grease, Silicone (1/2 Oz.) |
| | 542639 | Cement, Alumilastic (1 1/4 Oz.) |
| | 833938 | Kit, Terminal Connector |
| | | TORX SCREW WRENCH |
| | 1117510 | Torx Key |
| | | FIELD INSTALLABLE ICE MAKER |
| | W11510803 | Complete Icemaker Kit (Includes Valve & Ice Bin) |