

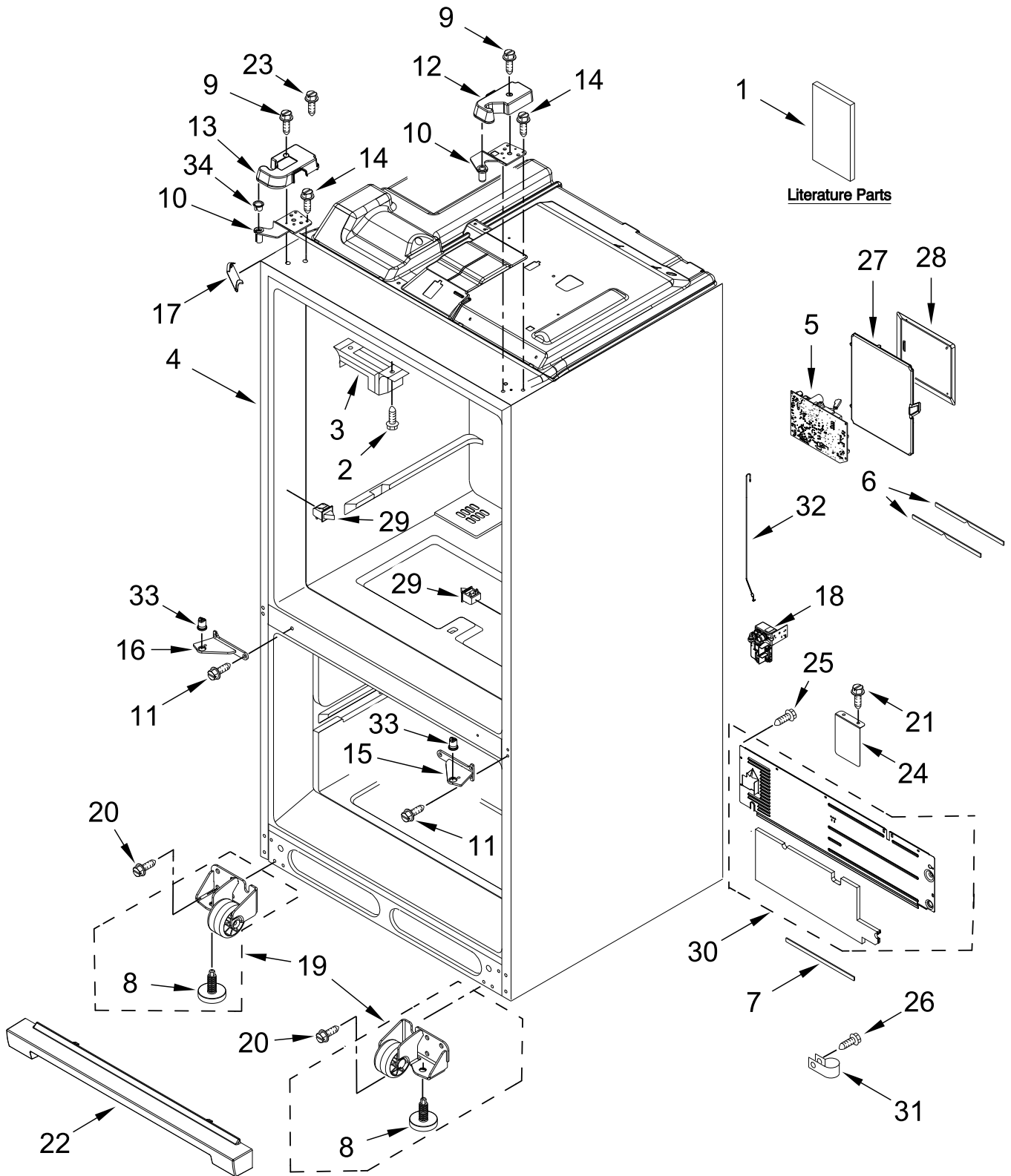


REFRIGERATOR

MODELS:

WRF757SDHZ05 (Stainless Steel)

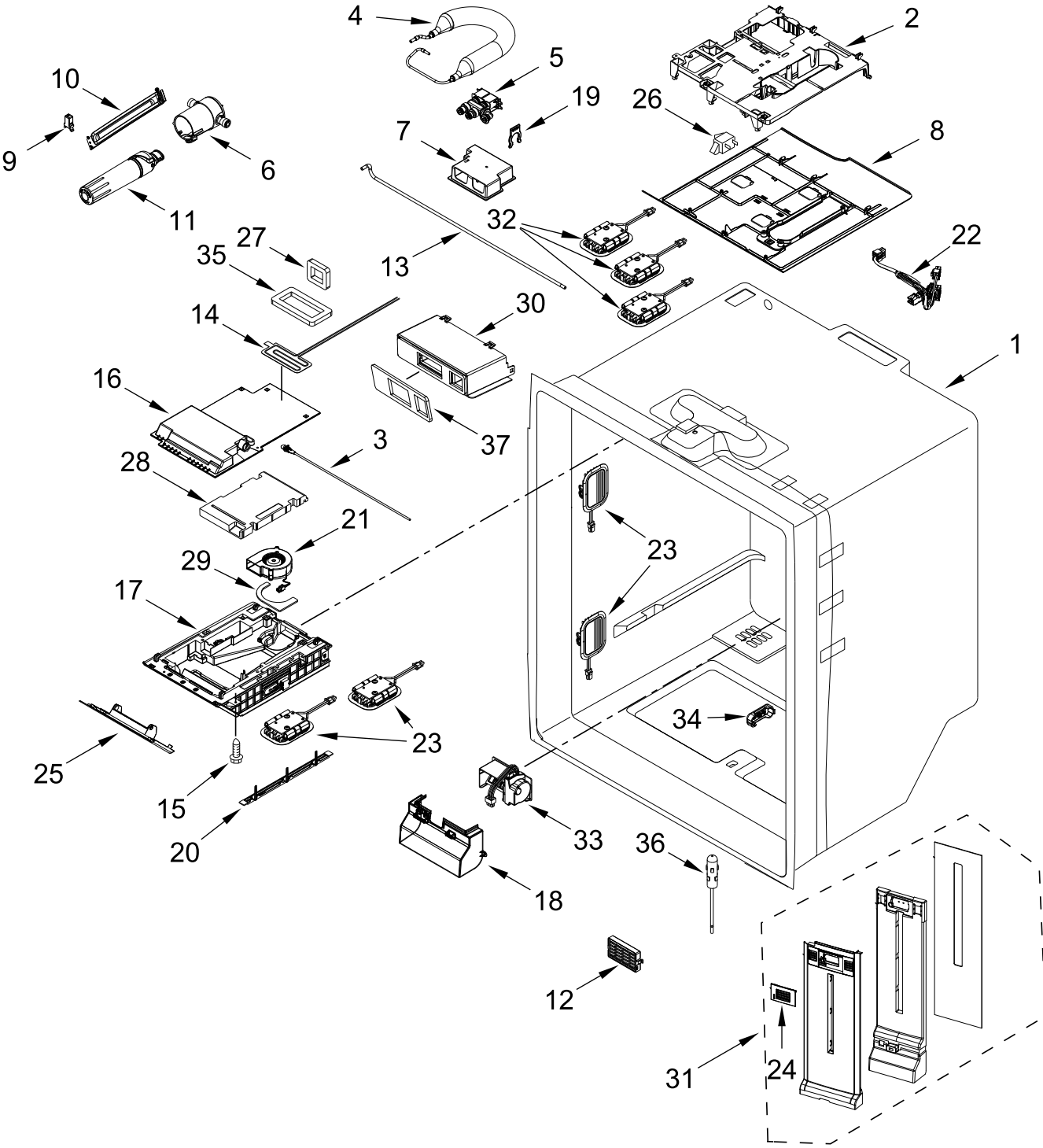
CABINET PARTS



CABINET PARTS

<u>Illus.</u> <u>No.</u>	<u>Part No.</u>	<u>Description</u>	<u>Illus.</u> <u>No.</u>	<u>Part No.</u>	<u>Description</u>	<u>Illus.</u> <u>No.</u>	<u>Part No.</u>	<u>Description</u>
1		Literature Parts	13		Cover, Hinge (Left)	24	W11578005	Cover, Roller
	W11502338	Owners Manual			(Includes Foil)	25	W10141645	Screw
	W11662357	Tech Sheet		W10471618	Grey	26	12990511	Screw
	W11647506	Energy Guide	14	W10731474	Screw	27	W10768379	Lid, HV
2	12990302	Screw	15		Hinge, Center (Right)	28	W10754144	Cover, Control Box
3	W10344432	Block, Pivot		W10248703	Grey	29	W10847849	Switch, Light
4		Cabinet (Not a Servicable Part)	16		Hinge, Center (Left)	30	W11364644	Assembly, Unit Cover
5	W11161172	Board, Control		W10248706	Grey	31	M0108107	Clamp, Tube
6	W10415341	Gasket, HV Box	17		Cover, Corner	32	W11296599	Tube, Water
7	W11534848	Gasket		12587703AP	Grey	33	W10505294	Coupler, Door
8	W10141622	Brake, Roller	18	W11460084	Valve, Water	34	W10212137	Retainer, Door
9	12992602	Screw	19		Assembly, Roller			
10		Hinge, Top		W10515763	Left Hand			
	W11456644	Left Hand		W10515762	Right Hand			
	W11456643	Right Hand	20	W10709365	Screw			
11	W10673840	Screw (Stainless)	21	12990702	Screw			
12		Cover, Hinge (Right)	22		Grille, Toe			
	W10407158	Grey		W10637671	Grey			
			23	12992601	Screw			

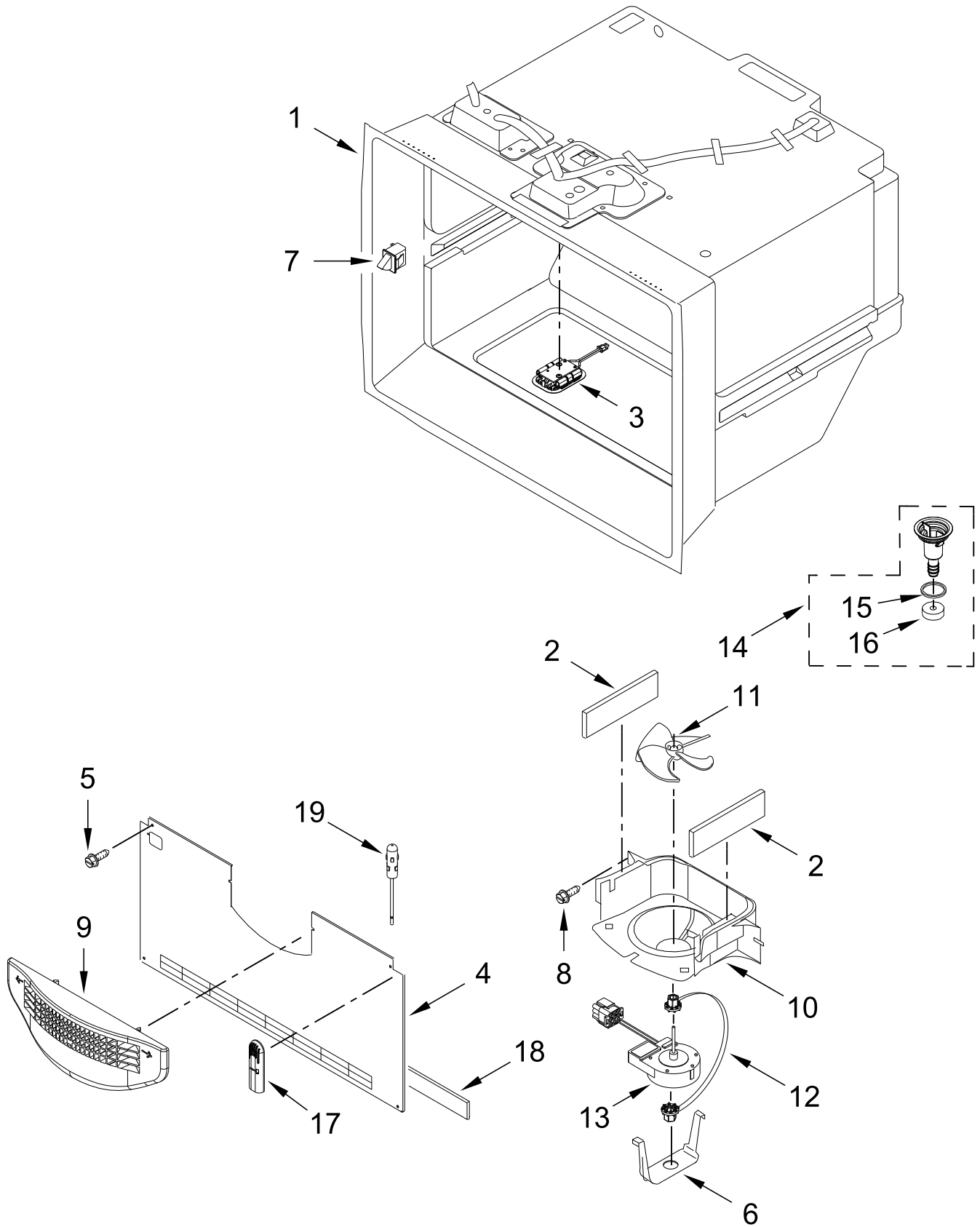
REFRIGERATOR LINER PARTS



REFRIGERATOR LINER PARTS

<u>Illus. No.</u>	<u>Part No.</u>	<u>Description</u>	<u>Illus. No.</u>	<u>Part No.</u>	<u>Description</u>	<u>Illus. No.</u>	<u>Part No.</u>	<u>Description</u>
1		Liner (Not A Serviceable Part)	14	W10706850	Heater, Fill Tube	28	W10280983	Insulation
2	W11281629	Housing, Water System	15	12990518	Screw	29	W10392172	Gasket, Fan
3	W11613057	Tube, Fill	16	W10598013	Cover, Icebox	30	W10635022	Adapter, Icebox
4	W11296598	Reservoir, Water (Also Order Wire Tie Part 8567668)	17	W11547436	Assembly, Icebox (Foamed)	31	W11373777	Assembly, Air Tower
5	W11255718	Valve, Dual Water	18	W10530312	Cover, Damper	32	W11234027	Harness, LED Wire (Includes LED lights)
6	W11293954	Housing, Water Filter	19	W11175631	Locking Ring (5/16)	33	W10479155	Damper, Control
7	W11391457	Enclosure, Water Valve	20	W10505516	Trim, Icebox	34	W10438957	Cover, Thermistor
8	W10669663	Cover, Waterbox	21	W10833801	Fan, Icebox	35	W10280988	Gasket, Rear Supply
9	2223877	Latch, Push	22	W11369503	Wire Assembly, Jumper	36	W10280385	Thermistor
10	W10277949	Door, Filter Access	23	W11228040	Assembly, LED Light Module	37	W11672619	Gasket, Adapter
11	W10680605	Filter, Water	24	W11125218	Cover, Air Diffuser			FOLLOWING PARTS NOT ILLUSTRATED
12	W10315189	Filter, Air	25	W11504346	Assembly, Fascia and Heater	W11306925		Harness, Dual Valve
13	W11658811	Waterline, Valve to Hinge	26	W10847853	Switch, Rocker	W11298842		Wire Assembly, Ice Box
			27	W10320706	Gasket, Rear Return			

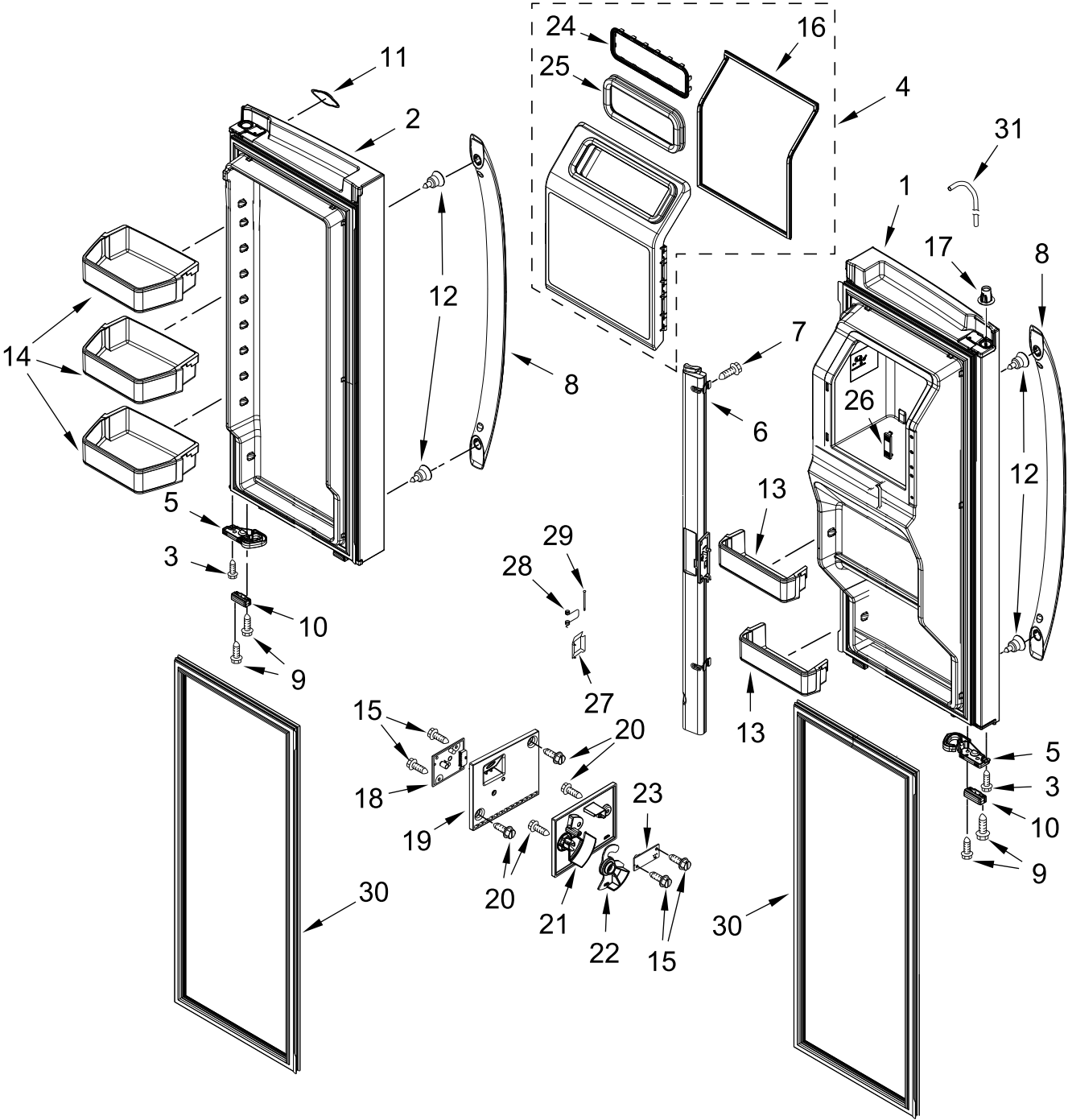
FREEZER LINER PARTS



FREEZER LINER PARTS

<u>Illus.</u> <u>No.</u>	<u>Part No.</u>	<u>Description</u>	<u>Illus.</u> <u>No.</u>	<u>Part No.</u>	<u>Description</u>	<u>Illus.</u> <u>No.</u>	<u>Part No.</u>	<u>Description</u>
1		Liner (Not A Serviceable Part)	8	12990504	Screw	14	W10503218	Assembly, Drain Funnel
2	A3189392	Gasket, Foam	9	W10496613	Grille, Air (Freezer)	15	M0500703	Seal
3	W11228040	Assembly, LED Light Module	10	W10363507	Shroud, Evaporator Fan	16	B8381501	Gasket, Drain
4	W11408170	Cover, Evaporator (Freezer)	11	12986101	Blade, Fan	17	W10405166	Cover, Thermistor
5	12990511	Screw	12	12951101	Grommet, Fan Motor	18	W10531268	Gasket, Dual Evaporator
6	12956601	Clip, Fan Motor	13	W11402610	Motor, Evaporator (Includes Harness, Thermistor, and Defrost Thermostat)	19	W10280385	Thermistor
7	W10847853	Switch, Rocker						

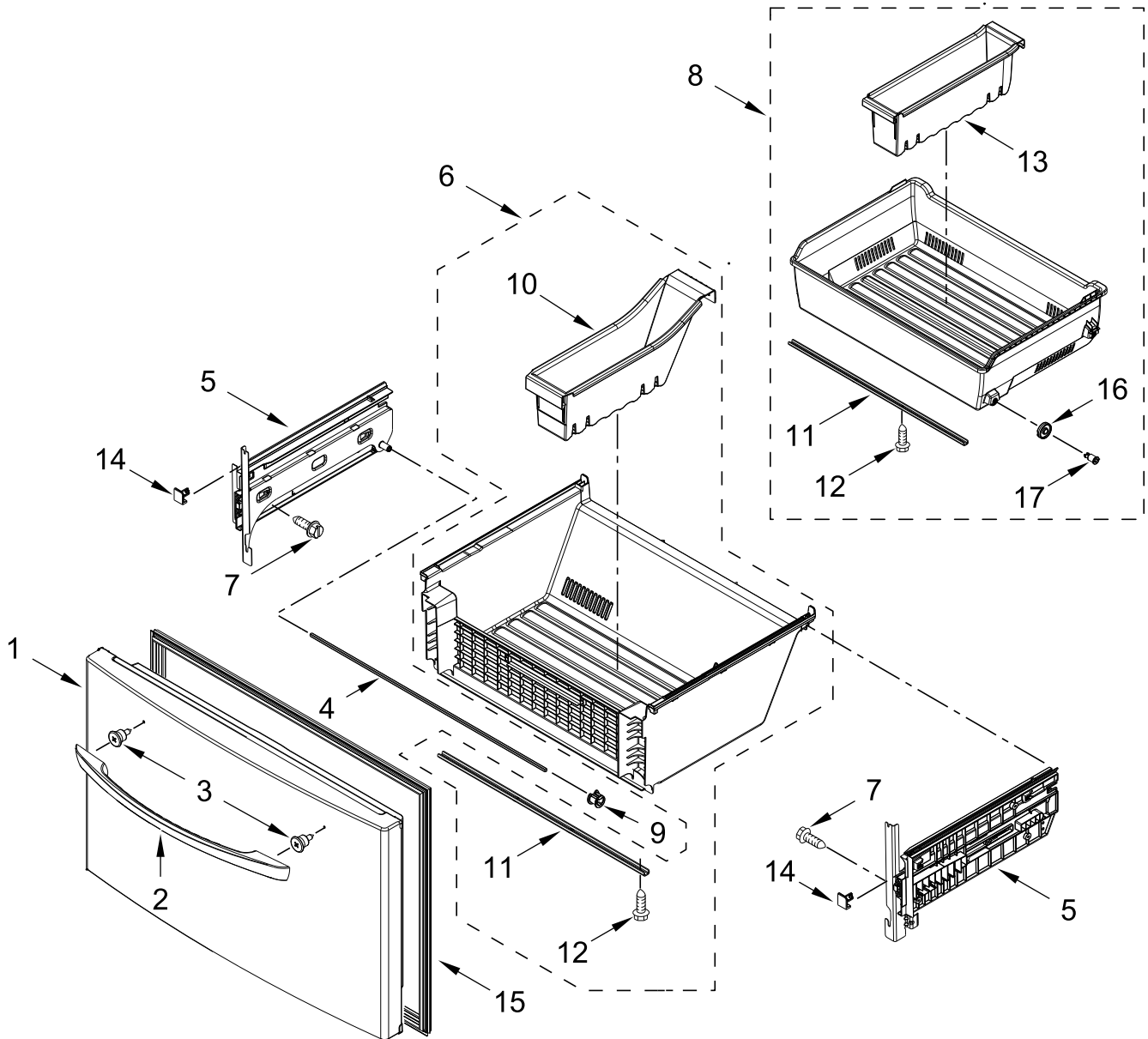
REFRIGERATOR DOOR PARTS



REFRIGERATOR DOOR PARTS

<u>Illus. No.</u>	<u>Part No.</u>	<u>Description</u>	<u>Illus. No.</u>	<u>Part No.</u>	<u>Description</u>	<u>Illus. No.</u>	<u>Part No.</u>	<u>Description</u>
1		Door, Left (Includes Gasket)	10		Bumper, Door	24	W10400825	Retainer, Ice Chute
	W11405217	Stainless		W10407188	Grey	25	W10347087	Gasket, Ice Chute
2		Door, Right (Includes Gasket)	11	W10884773	Badge	26	W10646855	Vent, Thermistor
	W11377901	Stainless	12	W11328753	Screw	27	W10258520	Door, Emitter
3	W10238319	Screw	13	W10728185	Trivet, 2 Liter	28	2198635	Spring, Door
4	W10549592	Assembly, Ice Door	14	W10728194	Bin, Gallon	29	W10331749	Pin, Door
5		Latch, Door	15	12993001	Screw	30		Gasket, Door
	W10712952	Left Hand	16	W10347085	Gasket, Ice Compartment Door		W10873938	Grey
	W10712953	Right Hand	17	W11315302	Clip, Tube	31	W10499015	Tube, Water
6		Mullion, Door	18	W10518658	Board, Receiver Circuit			
	W10698199	Grey	19	W10258510	Cover, Receiver			
7	12990204	Screw	20	489214	Screw			
8		Handle, Door	21	W10258502	Cover, Emitter			
	W11045530	Stainless	22	W10258540	Slide, Icemaker Shut Off			
9	12990504	Screw	23	W10832970	Board, Emitter Circuit			

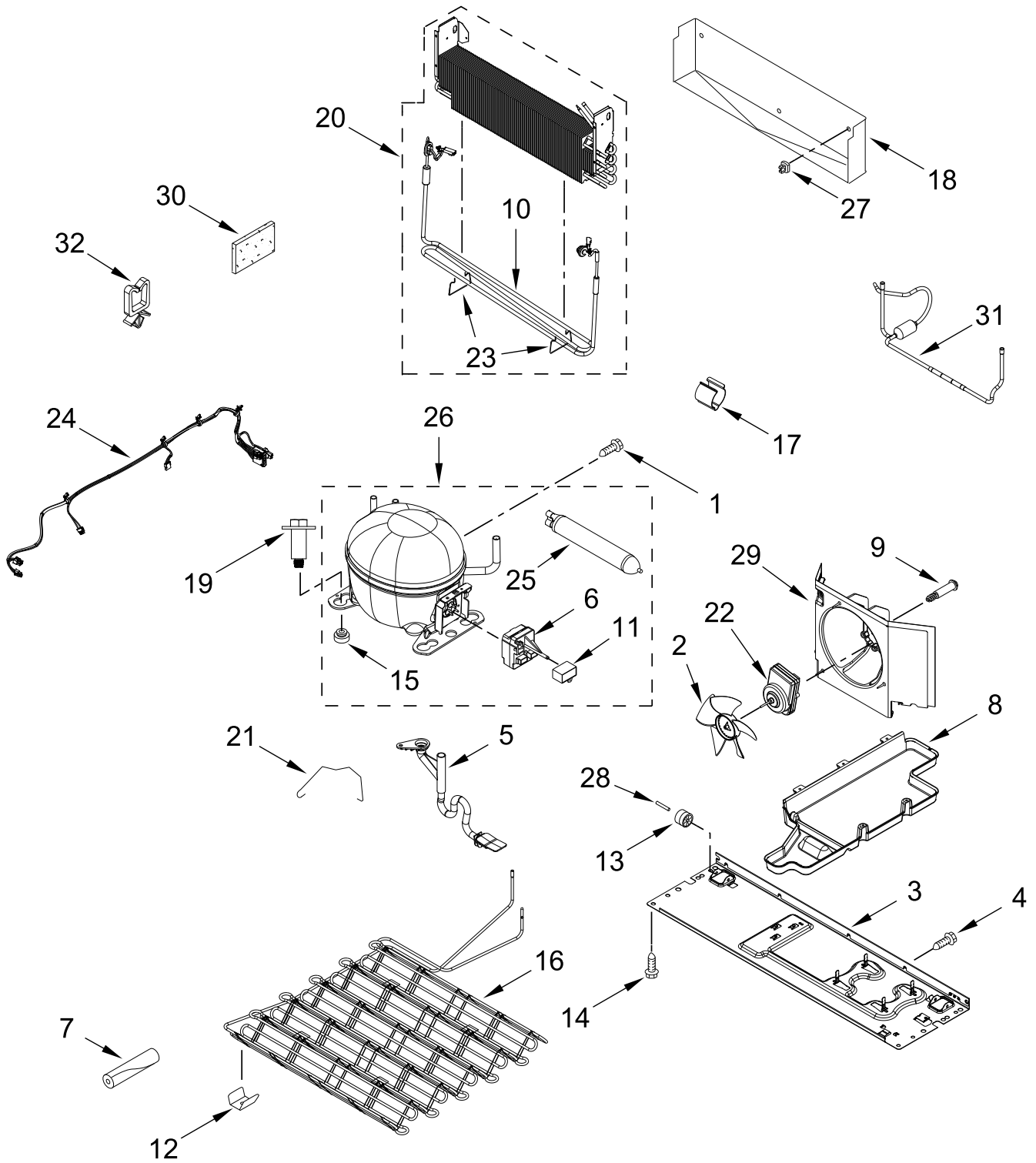
FREEZER DOOR PARTS



FREEZER DOOR PARTS

<u>Illus.</u> <u>No.</u>	<u>Part No.</u>	<u>Description</u>	<u>Illus.</u> <u>No.</u>	<u>Part No.</u>	<u>Description</u>	<u>Illus.</u> <u>No.</u>	<u>Part No.</u>	<u>Description</u>
1		Door, Freezer (Includes Gasket)	6	W10594047	Assembly, Lower Pan	14		Stop, Pan
	W11377893	Stainless	7	12990518	Screw		W10485096	Left Hand
2		Handle, Door	8	W10704090	Bin, Upper		W10485089	Right Hand
	W11115761	Stainless	9	W10709748	Clip, Shaft	15		Gasket, Door
3	W11328753	Screw	10	W10507444	Divider, Lower		W10248749	Grey
4	W10503522	Shaft	11	W10469177	Support, Pan	16	W10248555	Roller, Pan
5		Assembly, Bracket	12	489443	Screw (Stainless)	17	W10643690	Axle, Roller
	W10795770	Left Hand	13	W10485654	Divider, Upper			
	W10795768	Right Hand						

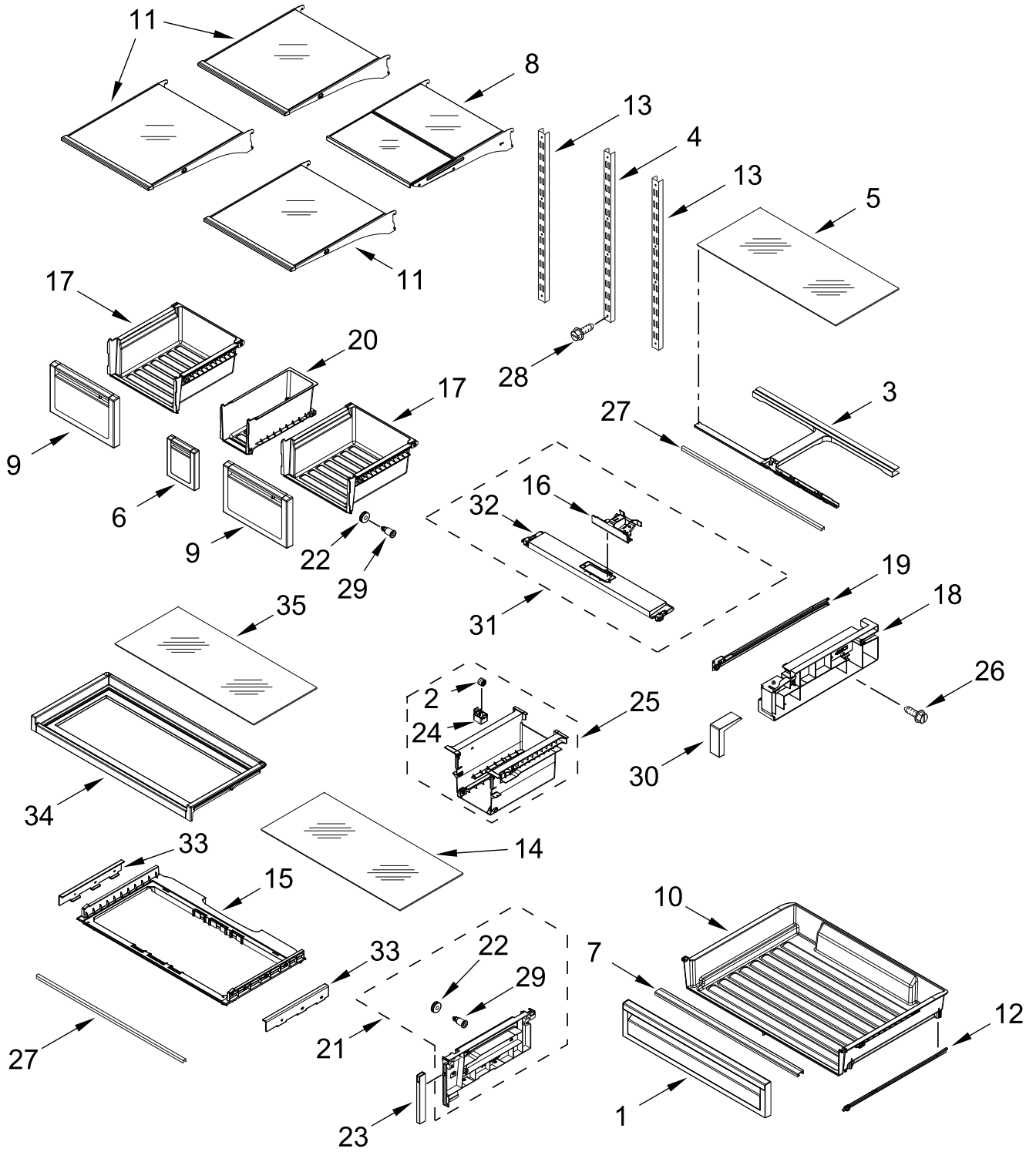
UNIT PARTS



UNIT PARTS

<u>Illus.</u> <u>No.</u>	<u>Part No.</u>	<u>Description</u>	<u>Illus.</u> <u>No.</u>	<u>Part No.</u>	<u>Description</u>	<u>Illus.</u> <u>No.</u>	<u>Part No.</u>	<u>Description</u>
1	W10141625	Screw	19	W11417341	Screw	26	W11682292	Compressor (Also Order the Following Lokring Parts)
2	2188935	Blade, Fan	20	W11394387	Assembly, Evaporator and Heater (Also Order the Following Lokring Parts)	W11504431	7/5 NR MS 00 (Compressor to Condenser)	
3	W11411853	Baseplate, Compressor				W11504415	8.5/8 NR MS 00 (Suction Tube to Compressor)	
4	12990511	Screw		W11506620	8 NK AL 00 (Suction Line to Evaporator)	W11506621	6 NK MS 00 (Charging Tube to Compressor)	
5	W11497478	Extension, Drain				W11506635	Tube, Charging (1/4 in w/ Schrader Valve)	
6	W10197428	Device, Combination Start (Start Relay and Overload)	21	W10174384	Strap, Bale	27	10623002	Clip, Evaporator
7	W10303521	Sleeve	22	W11505535	Motor, Condenser Fan	28	12477202	Axle, Roller
8	W10660727	Tray, Evaporator	23	W11380964	Clip, Heater	29	W10406719	Shroud
9	W10622701	Screw	24	W11306948	Harness, Unit (Includes Power Cord)	30	2169104	Insulation, Sound Deadening
10	W11553968	Heater, Defrost	25	W10805035	Drier (Service Drier Without Dye) (Also Order the Following Lokring Parts)	31	W11323444	Tube, Suction
11	W10350564	Capacitor				32	2223913	Clip REFRIGERANT CHARGE 56 grams (R600a)
12	W10248621	Clip, Condenser		W11504445	5/4 NR MS 00 (Heat Loop to Condenser)			
13	12477102	Roller						
14	12992101	Screw		W11504447	5/1.8 NR MS 00 (Capillary Tube to Drier)			
15	10835903	Grommet						
16	W11411956	Condenser (Also Order the Following Lokring Parts)						
	W11504445	5/4 NR MS 00 (Heat Loop to Condenser)						
	W11504431	7/5 NR MS 00 (Compressor to Condenser)						
17	W10281329	Clip, Drier						
18	W11408656	Tray, Drip						

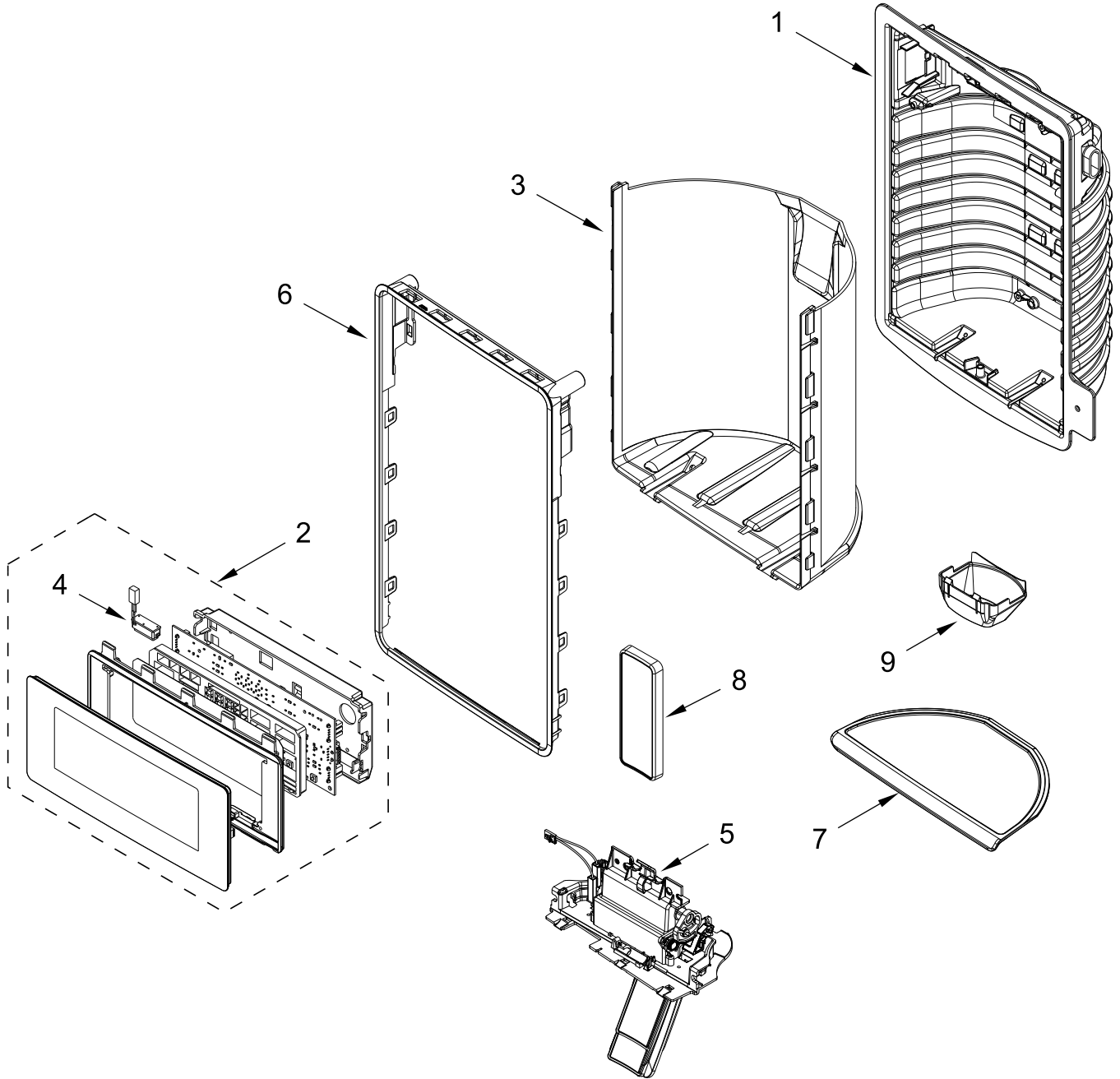
SHELF PARTS



SHELF PARTS

<u>Illus. No.</u>	<u>Part No.</u>	<u>Description</u>	<u>Illus. No.</u>	<u>Part No.</u>	<u>Description</u>	<u>Illus. No.</u>	<u>Part No.</u>	<u>Description</u>
1	W10510417	Front, Pantry	14	W10893768	Glass, Crisper	24	W10530314	Housing, Roller
2	W10248789	Roller, Center	15	W11133636	Cover, Crisper	25	W10662015	Assembly, Center Crisper Support
3	W11124673	Support, Pantry	16	W10512596	Knob, Pantry Temperature Control	26	8281136	Screw
4	W11658544	Ladder, Center	17	W10387757	Pan, Crisper	27	W10236512	Support, Front
5	W10893769	Glass, Pantry	18		Sideplate, Pantry	28	W10423560	Screw
6	W10423520	Assembly, Crisper Front		W10498906	Left Hand	29	W10257246	Axle, Roller
7	W10398002	Handle, Pantry		W11124810	Right Hand	30	W10467416	Plate, Pantry Front
8	W10709175	Assembly, Tuck Shelf	19		Slide, Pantry	31	W10554293	Assembly, Pantry Front Cover
9	W10688114	Assembly, Crisper Front		W10508327	Left Hand	32	W10554285	Cover, Pantry Top
10	W10498901	Pan, Pantry		W10508326	Right Hand	33		Rail, Side
11	W10709163	Assembly, Shelf	20	W10387778	Pan, Crisper		W11133647	Left Hand
12		Runner, Roller	21		Sideplate, Crisper		W11133648	Right Hand
	W10508330	Left Hand		W11315531	Left Hand	34	W11409105	Assembly, Platter Shelf
	W10508328	Right Hand		W11315533	Right Hand			
13	W11658543	Ladder, Side	22	W10248544	Roller, Guide	35	W11133665	Glass, Platter
			23	W10467415	Plate, Crisper Front			

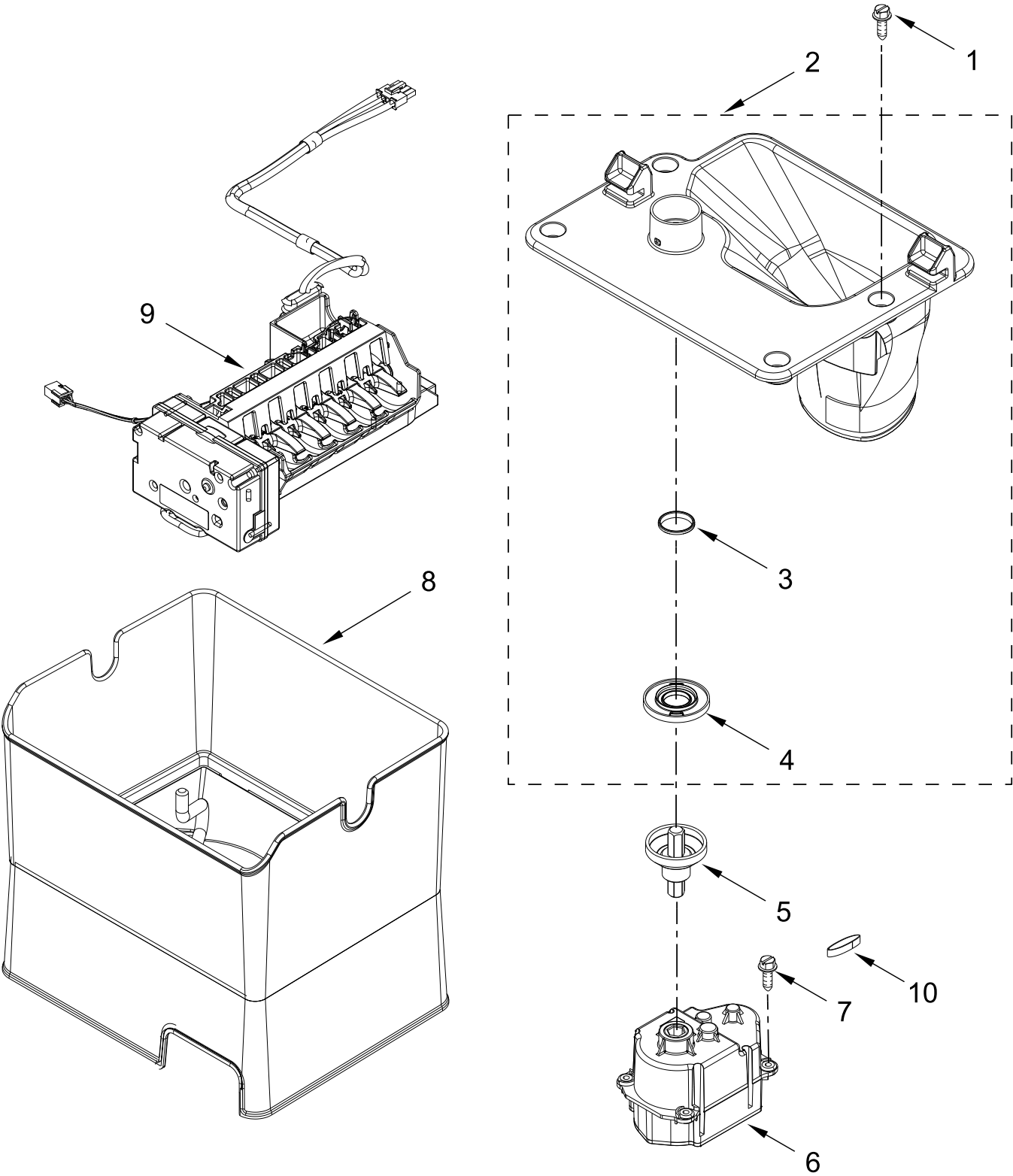
DISPENSER FRONT PARTS



DISPENSER FRONT PARTS

<u>Illus. No.</u>	<u>Part No.</u>	<u>Description</u>	<u>Illus. No.</u>	<u>Part No.</u>	<u>Description</u>	<u>Illus. No.</u>	<u>Part No.</u>	<u>Description</u>
1		Housing, Dispenser (Not Serviced)	4	W10470750	Assembly, LED	8		Assembly, Pad
			5	W10577864	Assembly, Seperator		W10473007	Grey
2		Assembly, User Interface (Includes Light Feature)	6		Ring, Trim	9	W10435760	Guide, Ice
	W11551786	Black		W10402180	Chrome			
3		Wall, Dispenser False	7		Tray, Drip			
	W10819058	Grey		W10819059	Grey			

ICEMAKER AND ICE CONTAINER PARTS



ICEMAKER AND ICE CONTAINER PARTS

<u>Illus.</u> <u>No.</u>	<u>Part No.</u>	<u>Description</u>	<u>Illus.</u> <u>No.</u>	<u>Part No.</u>	<u>Description</u>	<u>Illus.</u> <u>No.</u>	<u>Part No.</u>	<u>Description</u>
1	W10272364	Screw	6	W11185741	Motor, Dispenser	9	W11554919	Assembly, Icemaker
2	W10347051	Plate, Ice Chute	7	8281163	Screw (Stainless)	10	W10291905	Gasket
3	2198628	Seal	8	W10347093	Assembly, Ice Container			
4	W10347120	Clip, Retainer						
5	W11363576	Shaft, Motor						

OPTIONAL PARTS

<u>Illus.</u> <u>No.</u>	<u>Part No.</u>	<u>Description</u>
		TOUCH-UP PAINT
W10134625		Apollo Grey
		MISCELLANEOUS
212643		Sealer, Gum (4 Feet)
876370		Insulation (2 Pieces, 3" x 24" x 48")
876305		Insulation Kit (14 Pieces, 3" x 24" x 48")
978941		Insulation, Fiberglass (63 1/2" x 35 1/2" x 2 5/8")
505587		Sealer, Mastic (1 Qt)
503695		Cork, Sealer
542638		Grease, Silicone (1/2 Oz.)
833938		Kit, Terminal Connector
8003RP		Kit, Water Inlet