

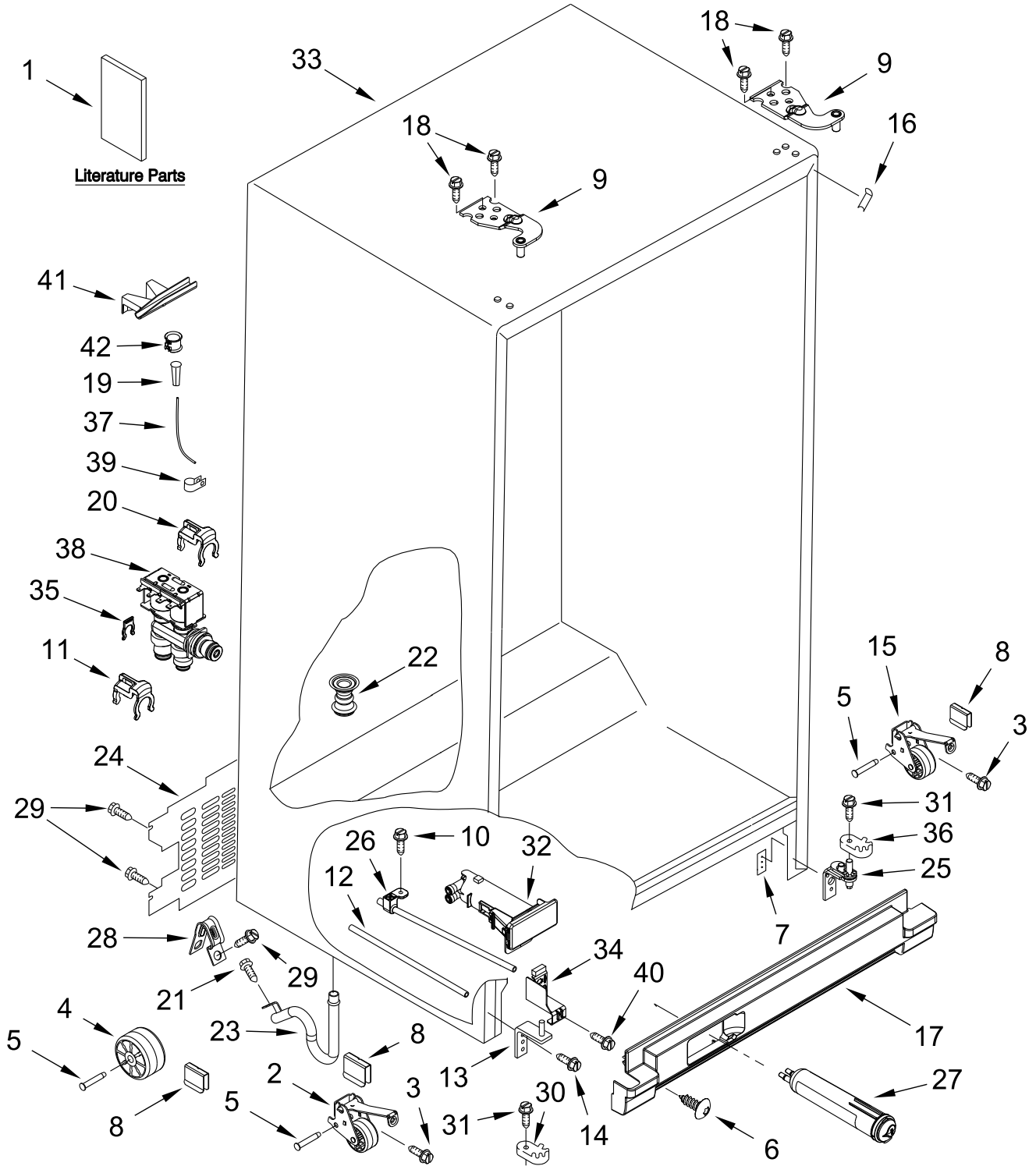
# AMANA®

## REFRIGERATOR

### MODELS:

ASI2175GRW10 (White)

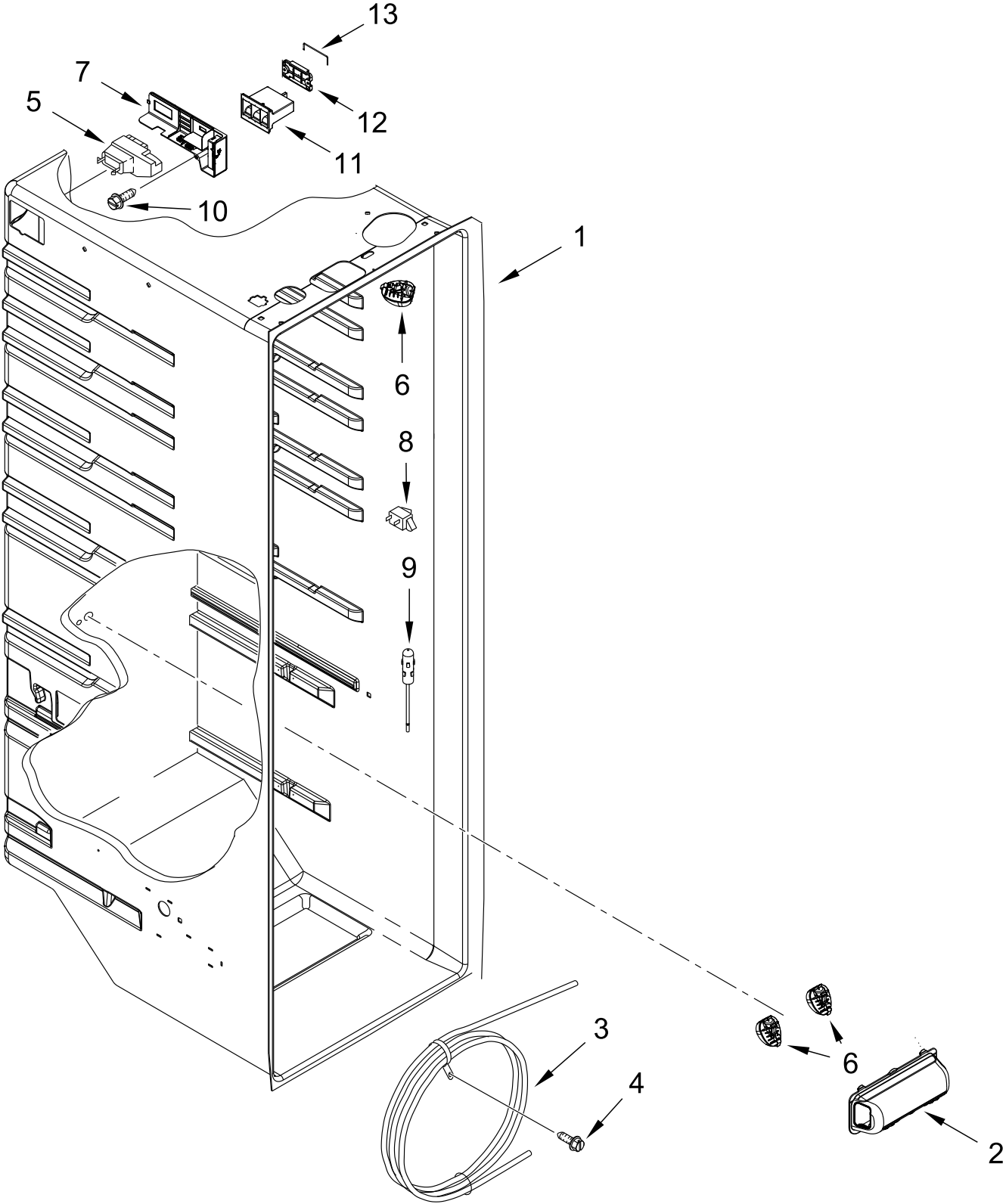
# CABINET PARTS



# CABINET PARTS

<u>Illus.</u> <u>No.</u>	<u>Part No.</u>	<u>Description</u>	<u>Illus.</u> <u>No.</u>	<u>Part No.</u>	<u>Description</u>	<u>Illus.</u> <u>No.</u>	<u>Part No.</u>	<u>Description</u>
1		Literature Parts	13	W11093938	Assembly, Bottom Hinge (Freezer)	27	W10735398	Filter, Water
	W11484052	Use & Care Guide				28	W11234470	Clamp, Plastic
	W11641239	English	14	3400113	Screw	29	W10141645	Screw
	W11647252	Energy Guide	15		Assembly, Roller	30	W11095731	Closer, Door (Freezer)
2		Assembly, Roller		W10304659	Right Hand	31	W10142234	Screw
	W10304660	Left Hand	16		Filler, Wrapper	32		Housing, Water Filter
3	2152958	Screw		W11219639	White		W11036340	White
4	2150304	Roller	17		Grille	33		Cabinet (Not A Servicable Part)
5	2262072	Axle, Roller		W11226346	White	34	W10897565	Assembly, Bracket
6	W10142283	Screw (White)	18	W10290781	Screw, Hinge	35	W11175632	Locking Ring (1/4)
7	W11036715	Plate, Screw (Refrigerator)	19	2181939	Insert, Tube		W11175631	Locking Ring (5/16)
	W10904380	Plate, Screw (Freezer)	20	W11252188	Double Lock Ring	36	W10905504	Closer, Lower Cam Door (Refrigerator)
			21	489464	Screw	37	W10357069	Tube, Water
8	W11087168	Clip, Roller	22	W11424515	Fitting, Drain	38	W11563296	Assembly, Filter Valve
9		Hinge, Top	23	W11404685	Extension, Drain Fitting	39	M0108107	Clamp, Tube
	W11167022	Left Hand	24	W11613262	Cover, Unit	40	W10162487	Screw
	W11167023	Right Hand	25	W11097327	Assembly, Bottom Hinge (Refrigerator - Also includes Door Cam)	41	W11605929	Chute, Water
10	W10141518	Screw				42	W10329003	Clamp, Tube
11	W11091654	Connector, Double Lock	26	W10900449	Tube, Filter Inlet			
12	W10900447	Tube, Filter Outlet						

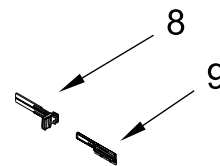
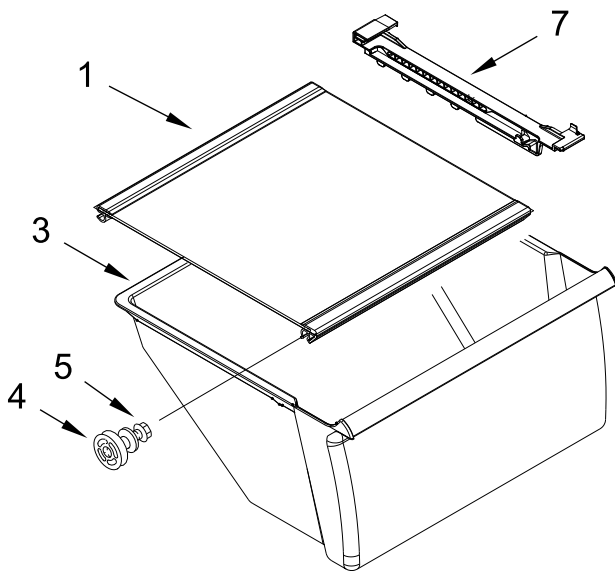
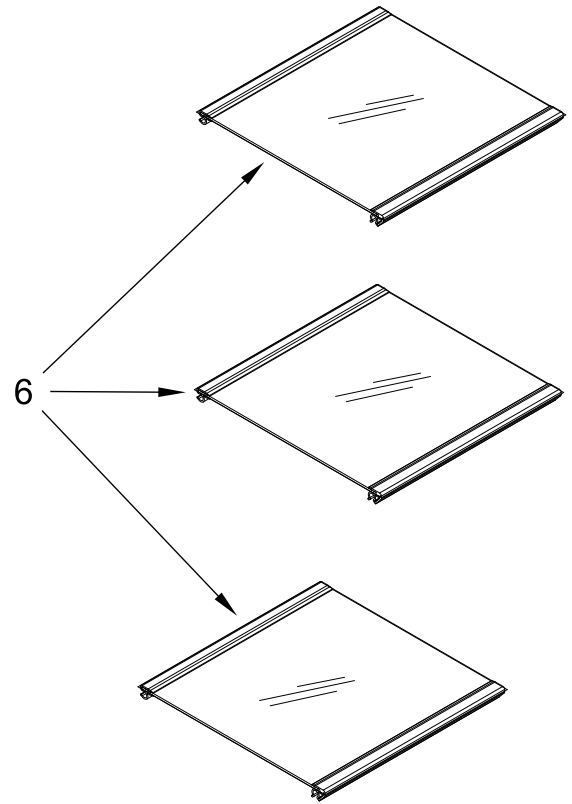
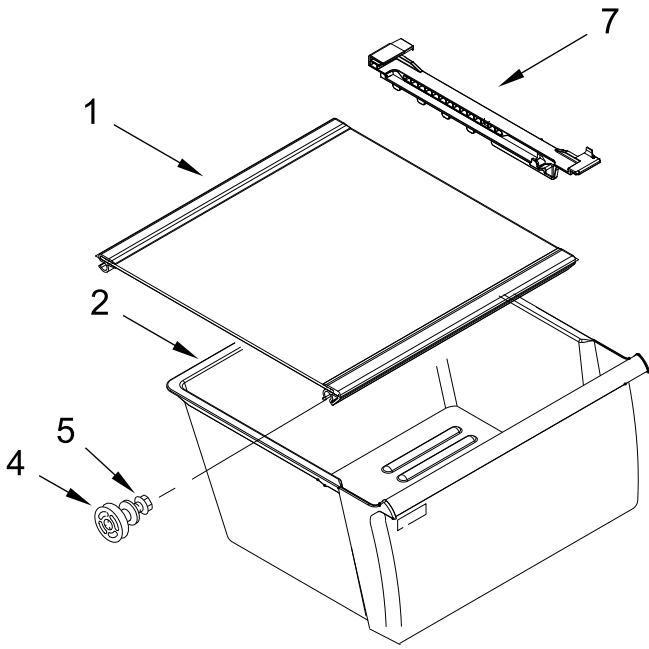
# REFRIGERATOR LINER PARTS



# REFRIGERATOR LINER PARTS

<u>Illus.</u> <u>No.</u>	<u>Part No.</u>	<u>Description</u>	<u>Illus.</u> <u>No.</u>	<u>Part No.</u>	<u>Description</u>	<u>Illus.</u> <u>No.</u>	<u>Part No.</u>	<u>Description</u>
1		Liner (Not A Serviceable Part)	4	W10141518	Screw	9	W10384183	Thermistor
			5	W11264792	Diffuser, Air	10	486298	Screw
2	W10166130	Lens, Light (Includes Gasket)	6	W11549780	Light Module, LED	11	W10901825	Slider, Housing
			7	W11478197	Control, Electronic	12	W10901827	Slider
3	W11676893	Tubing, Water Reservoir	8	W10847849	Switch, Light	13	W10901826	Connecting Rod

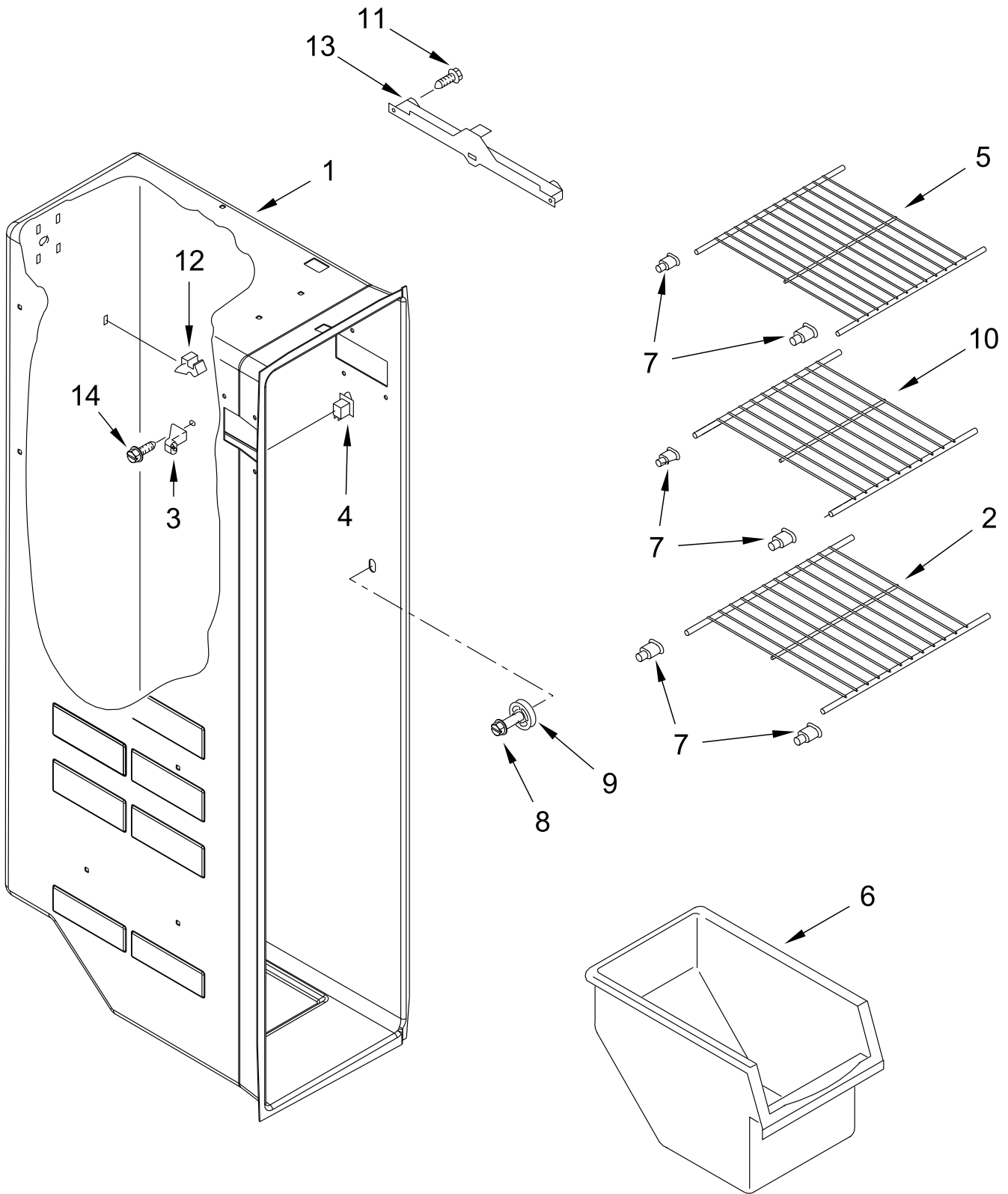
# REFRIGERATOR SHELF PARTS



# REFRIGERATOR SHELF PARTS

<u>Illus.</u> <u>No.</u>	<u>Part No.</u>	<u>Description</u>	<u>Illus.</u> <u>No.</u>	<u>Part No.</u>	<u>Description</u>
1	W11495082	Cover, Crisper	7	W11495059	Track, Holder (Left Hand)
2	W10902068	Pan, Crisper			
3	W11035216	Pan, Meat		W11495062	Track, Holder (Right Hand)
4	W10173126	Assembly, Shelf Stud			
5	W10191954	Screw	8	W10282883	Slide, Humidity
6	W11135530	Assembly, Shelf	9	W10282880	Housing, Humidity

# FREEZER LINER PARTS

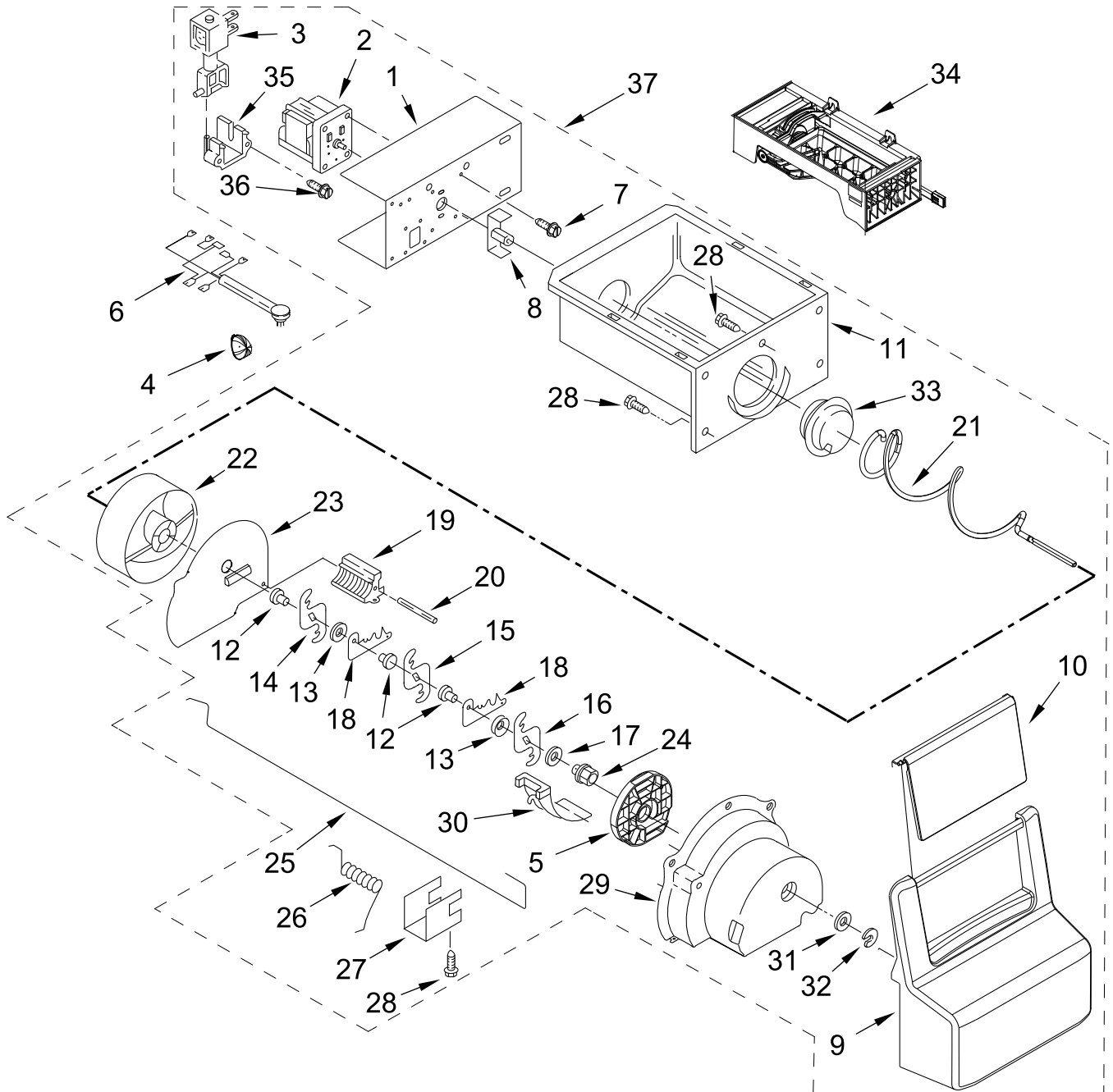




# FREEZER LINER PARTS

<u>Illus.</u> <u>No.</u>	<u>Part No.</u>	<u>Description</u>	<u>Illus.</u> <u>No.</u>	<u>Part No.</u>	<u>Description</u>	<u>Illus.</u> <u>No.</u>	<u>Part No.</u>	<u>Description</u>
1		Liner (Not A Serviceable Part)	6	2309758	Bin, Freezer	12	2315163	Clip, Air Duct
2	W10318952	Shelf, Wire	7	W10130299	Cup, Shelf	13	W10845585	Slide, Ice Container (Left)
3	2196206	Stud, Support	8	W10191954	Screw		W10845583	Slide, Ice Container (Right)
4	W10847853	Switch, Rocker	9	2196208	Assembly, Stud			
5	W10318960	Shelf, Wire (Short)	10	W10318953	Shelf, Wire	14	3400893	Screw
			11	489100	Screw			

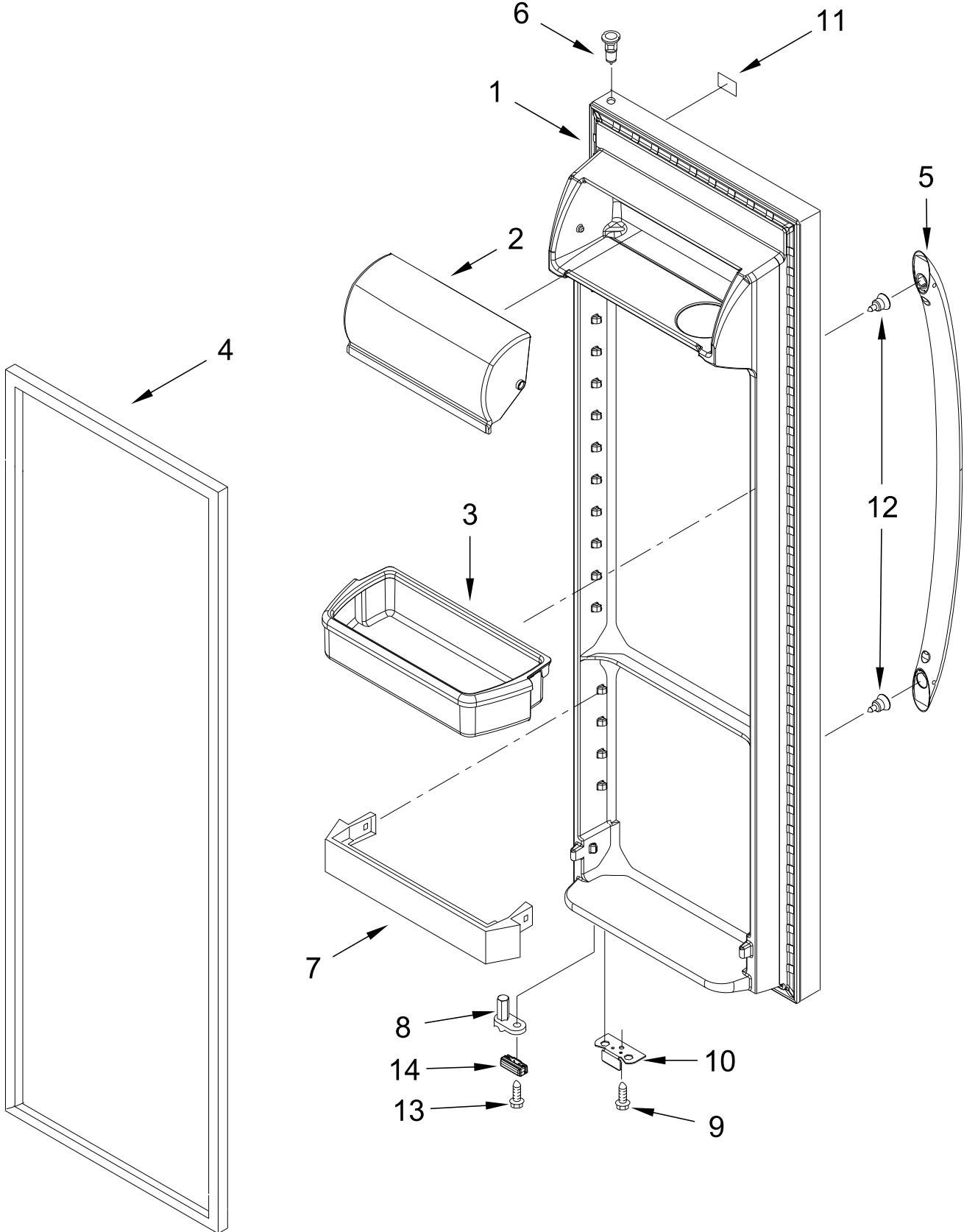
# MOTOR AND ICE CONTAINER PARTS



# MOTOR AND ICE CONTAINER PARTS

<u>Illus. No.</u>	<u>Part No.</u>	<u>Description</u>	<u>Illus. No.</u>	<u>Part No.</u>	<u>Description</u>	<u>Illus. No.</u>	<u>Part No.</u>	<u>Description</u>
1	W11307588	Bracket, Motor	14	W10278731	Blade, Rotary A	29	W10185018	Housing, Crusher
2	W10884561	Motor, Dispenser	15	W10278732	Blade, Rotary B	30	1119017	Deflector, Ice
3	2152713	Assembly, Solenoid	16	W10278733	Blade, Rotary C	31	489234	Washer, Plain Upper Cam
4	W11549780	Light Module, LED	17	489234	Washer, Plain Upper Cam	32	489236	Ring, Retainer
5	W10138206	Spacer - Crusher Housing	18	W10181990	Blade, Fixed	33	W10698668	Coupling, Ice Conveyor
6	W11218402	Assembly, Ice Dispenser Wiring	19	W10189708	Block, Blade	34	W11633658	Complete Icemaker Assembly
7	W10162487	Screw	20	489229	Pin, Roll	35	2149100	Guide, Solenoid
8	W10169511	Coupling, Motor	21	W10295082	Auger	36	489355	Screw
9	W10189274	Cover, Ice Container Front	22	W10698642	Drum	37	W10558424	Ice Container, Complete
10	W11351745	Door, Ice	23	W10403781	Baffle, Floating			
11	W10670844	Container, Ice	24	1119018	Nut, Bearing			
12	W11032812	Spacer, Step	25	W10838981	Arm, Control			
13	W11032808	Spacer, Flat	26	1119020	Spring, Return			
			27	1119021	Clip, Retainer (Dispenser Rod)			
			28	488886	Screw			

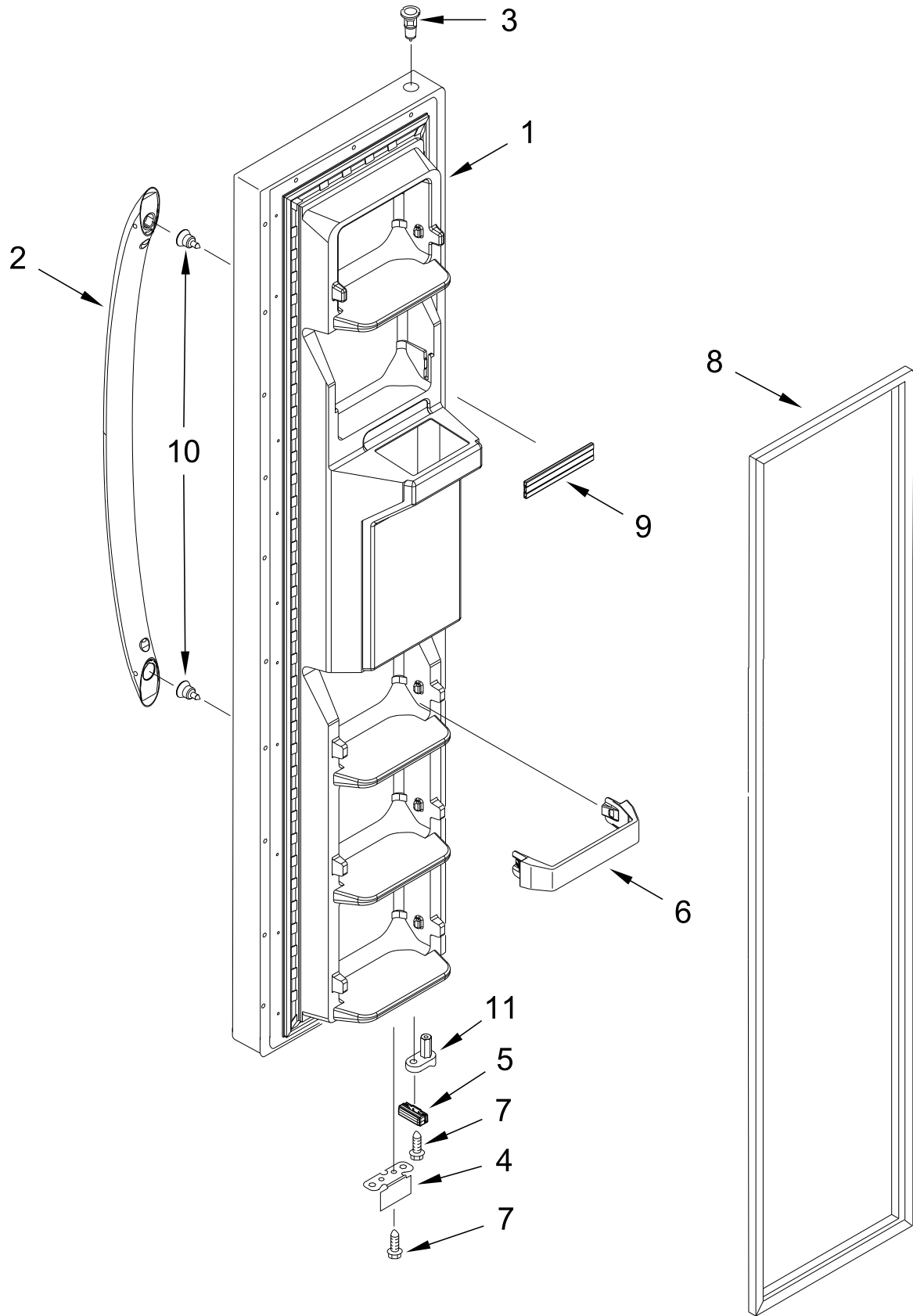
# REFRIGERATOR DOOR PARTS



# REFRIGERATOR DOOR PARTS

<u>Illus.</u> <u>No.</u>	<u>Part No.</u>	<u>Description</u>	<u>Illus.</u> <u>No.</u>	<u>Part No.</u>	<u>Description</u>	<u>Illus.</u> <u>No.</u>	<u>Part No.</u>	<u>Description</u>
1		Door, Refrigerator (Includes Door Gasket)	5		Handle	11		Badge
	W10912366	White		W10210942	White		W11046244	White
	2256101	Door, Compartment	6	2200087	Thimble	12	W10288153	Screw
3	W11034658	Bin, Door	7	2309941	Trivet	13	W10296804	Screw
4		Gasket, Door	8	W10900464	Thimble, Cam	14		Bumper, Door
	W10912372	Beige	9	W10296816	Screw		W10407175	White
			10	W11481760	Bracket, Door Stop			

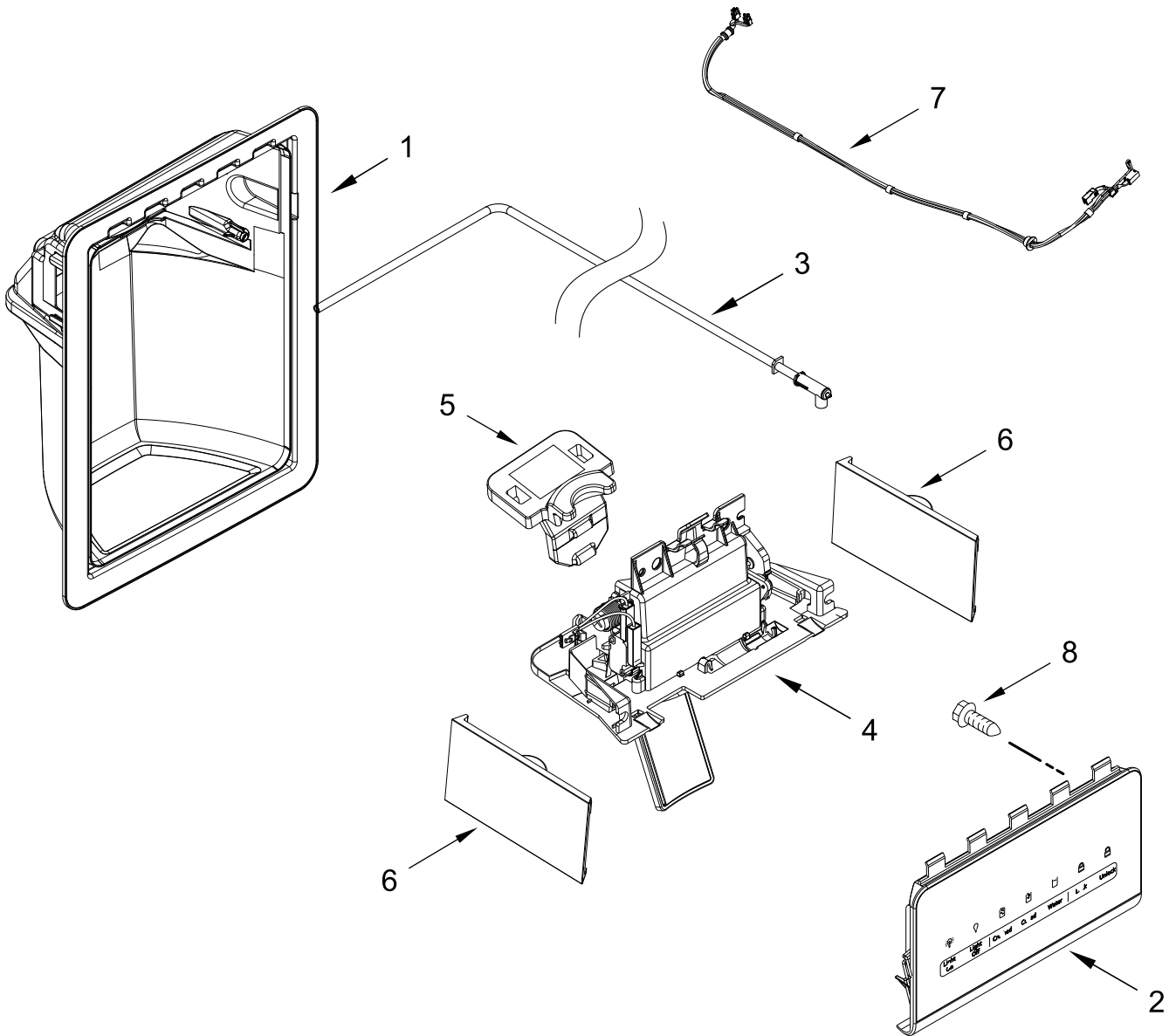
# FREEZER DOOR PARTS



# FREEZER DOOR PARTS

<u>Illus.</u> <u>No.</u>	<u>Part No.</u>	<u>Description</u>	<u>Illus.</u> <u>No.</u>	<u>Part No.</u>	<u>Description</u>	<u>Illus.</u> <u>No.</u>	<u>Part No.</u>	<u>Description</u>
1		Door, Freezer (Includes Gasket and Dispenser Parts)	4	W11481757	Bracket, Door Stop	8		Gasket, Door
	W11032721	White	5		Bumper, Door		W10911494	Beige
				W10407175	White	9	W10307492	Trim, Door Shelf
2		Handle	6	2309717	Trim, Door	10	W10288153	Screw
	W10210942	White	7	W10296804	Screw	11	W10900532	Thimble, Cam
3	2200087	Thimble						

# DISPENSER PARTS

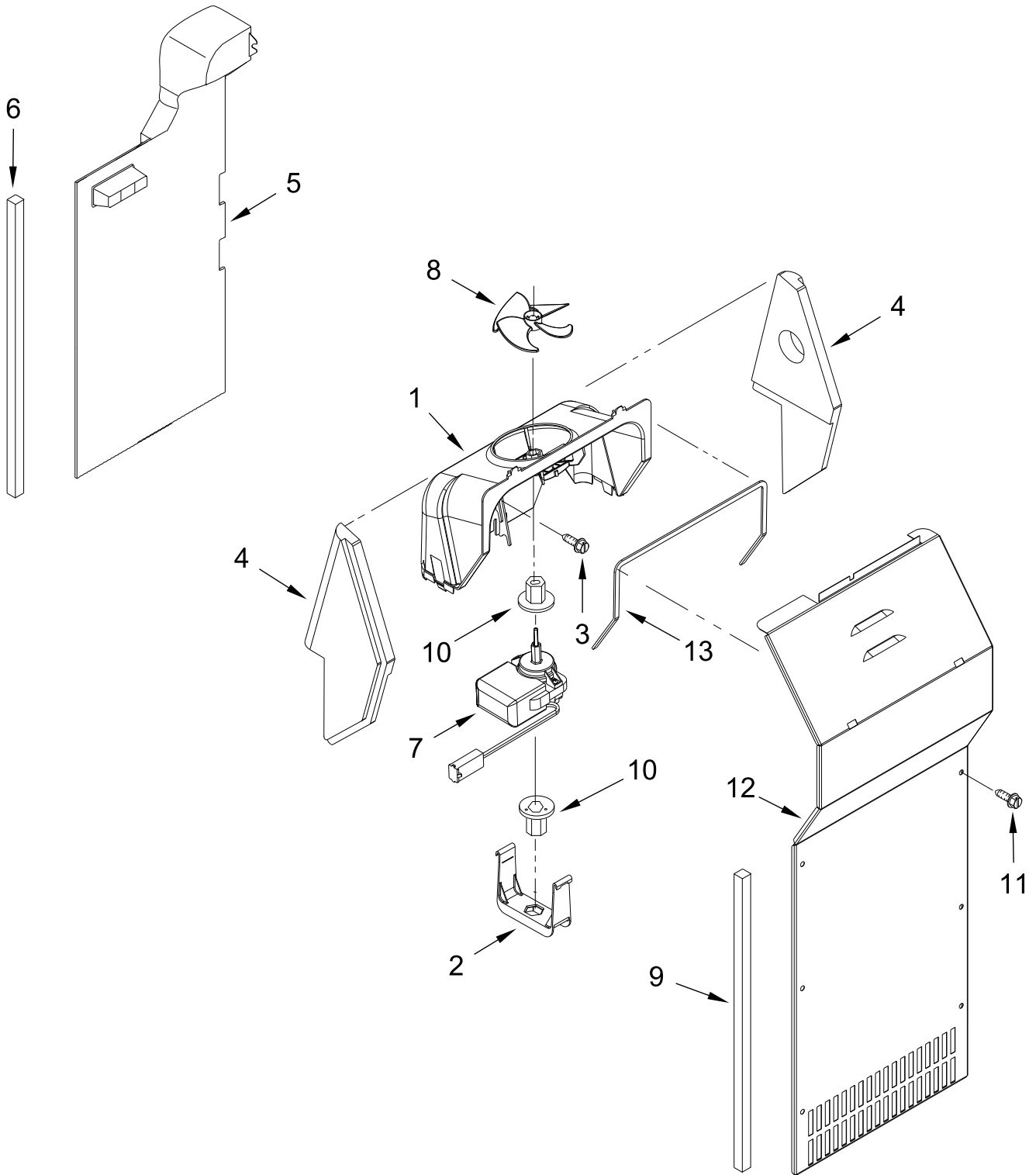




# DISPENSER PARTS

<u>Illus. No.</u>	<u>Part No.</u>	<u>Description</u>	<u>Illus. No.</u>	<u>Part No.</u>	<u>Description</u>	<u>Illus. No.</u>	<u>Part No.</u>	<u>Description</u>
1		Housing, Dispenser (Not Serviced)	3	W10898317	Assembly, Water Fitting	6		Cover, Front
2		Assembly, User Interface (Includes Dispenser Light)	4		Assembly, Separator		W11183318	White (Left Hand)
	W10922069	Black		W11604220	White		W11183314	White (Right Hand)
			5	W11039857	Retainer, Separator Hose	7	W10898319	Harness, Wire
						8	8281163	Screw (Stainless)

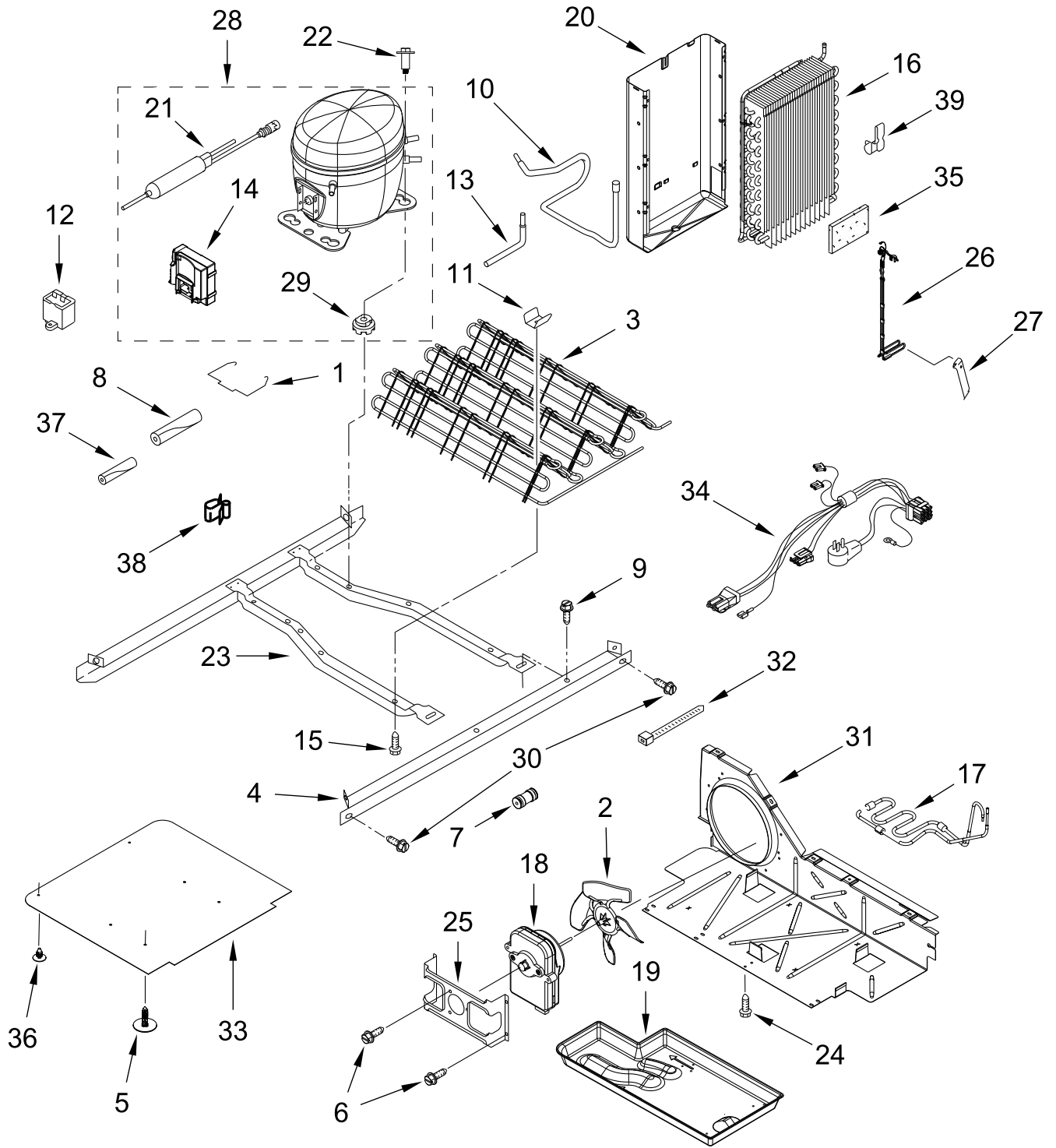
# AIR FLOW PARTS



# AIR FLOW PARTS

<u>Illus.</u> <u>No.</u>	<u>Part No.</u>	<u>Description</u>	<u>Illus.</u> <u>No.</u>	<u>Part No.</u>	<u>Description</u>	<u>Illus.</u> <u>No.</u>	<u>Part No.</u>	<u>Description</u>
1	W11228728	Scroll, Fan	5	W11099844	Duct, Freezer Air	11	W10142292	Screw
2	W10188846	Retainer, Fan Motor	6	W10252476	Gasket	12	W10463010	Cover, Evaporator
3	489478	Screw	7	2315549	Motor, Fan	13	2155788	Gasket, Scroll Assembly
4		Support, Fan Scroll	8	2169142	Blade, Fan			
	W11414496	Left Hand	9	2304241	Gasket			
	W11414497	Right Hand	10	2176759	Grommet, Motor			

# UNIT PARTS



# UNIT PARTS

<u>Illus.</u> <u>No.</u>	<u>Part No.</u>	<u>Description</u>	<u>Illus.</u> <u>No.</u>	<u>Part No.</u>	<u>Description</u>	<u>Illus.</u> <u>No.</u>	<u>Part No.</u>	<u>Description</u>
1	W11495051	Strap, Bale	18	W11546724	Motor, Condenser Fan	29	W10806346	Grommet, Compressor
2	2225834	Blade, Fan	19	W11562498	Tray, Evaporator	30	489340	Bolt
3	W11553540	Assembly, Condenser  (Also Order the Following Lokring Parts)	20	W11400739	Assembly, Heat Shield and Drain Pan	31	W10896764	Baffle, Air
	W11506623	5 NK MS 00  (High Side to Condenser)	21	W10805035	Drier (Service Drier Without Dye)  (Also Order the Following Lokring Parts)	32	W10155270	Cable Tie
	W11504445	5/4 NR MS 00  (Suction Line to Condenser)		W11504433	6/4 NR MS 00  (Heat Loop to Drier)	33	W10905940	Assembly, Unit Cover (Bottom)
4	W10905882	Rail, Unit Mounting		W11504447	5/1.8 NR MS 00  (Capillary Tube to Drier)	34	W11383260	Assembly, Unit Wire (Includes Power Cord)
5	489396	Clip	22	W10476309	Screw	35	2169104	Insulation, Sound Deadening
6	8533993	Screw	23	W10905880	Frame, Unit Mounting (Includes Unit Mounting Rail)	36	W10000080	Retainer, Push-In
7	W10271541	Connector, Union				37	W10303521	Sleeve
8	2161302	Sleeve				38	2326941	Clip, Wire
9	489427	Screw				39	2304287	Clip
10	W11506458	Tube, Suction	24	489464	Screw			REFRIGERANT CHARGE  64 grams (R600A)
11	2311725	Clip, Condenser	25	2181929	Bracket, Fan Mounting			
12	W10590083	Capacitor	26	W11573115	Assembly, Defrost Heater and Evaporator Fan Harness (Includes Thermal Fuse)			
13	2325479	Tube, Process	27	W11399989	Heat Probe			
14	W11359381	Device, Combination Start (Start Relay and Overload)	28	W11663223	Compressor  (Also Order the Following Lokring Parts)			
15	8281232	Screw		W11504415	8.5/8 NR MS 00  (Suction Tube to Compressor)			
16	W11357917	Evaporator  (Also Order the Following Lokring Parts)		W11504431	7/5 NR MS 00  (High Pressure Side to Compressor)			
	W11504449	4/2 NR AL 00  (Capillary Tube to Evaporator)		W11506619	8 NK MS 00  (Process Tube to Compressor)			
	W11506619	8 NK MS 00  (Suction Line to Evaporator)						
17	W11442858	Assembly, Precooler Formed						

# OPTIONAL PARTS

<u>Illus.</u> <u>No.</u>	<u>Part No.</u>	<u>Description</u>
		PAINT, PRESSURIZED SPRAY (12 oz.)
	350942	White Primer
	350930	White
		Important: The spray paint is not to be used where the paint may make contact with the door gaskets.
		TOUCH-UP PAINT
	72017	White
		PAINT, BULK (1 QT.)
	799344	White (Uncut)
		MISCELLANEOUS
	212643	Sealer, Gum (4 Feet)
	505587	Sealer, Mastic (1 Qt)
	503695	Cork, Sealer
	542638	Grease, Silicone (1/2 Oz.)
	833938	Kit, Terminal Connector
	8003RP	Kit, Water Inlet
	W10300794	Kit, Handle Installation