

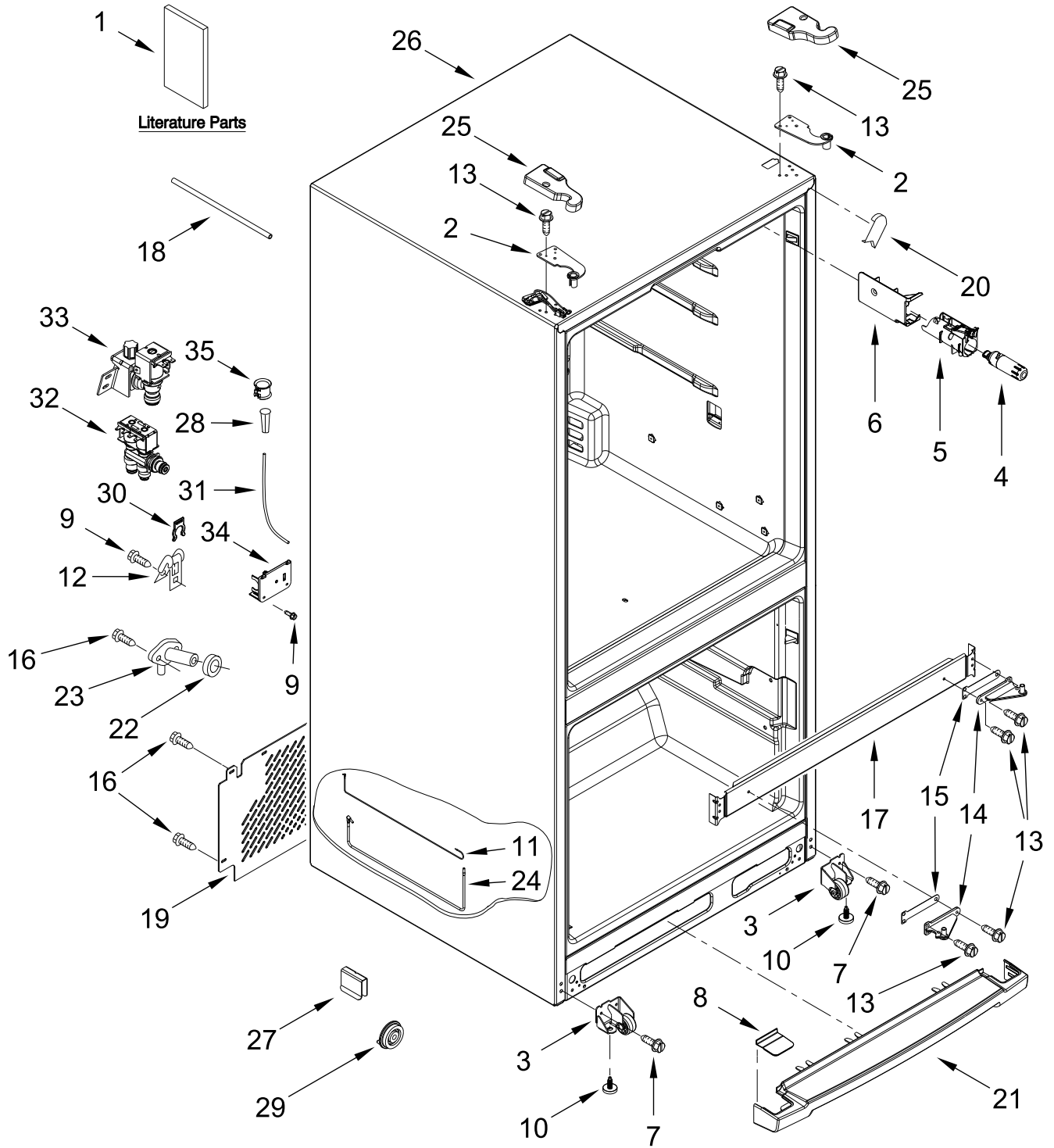


REFRIGERATOR

MODELS:

WRF560SEHZ05 (Stainless)

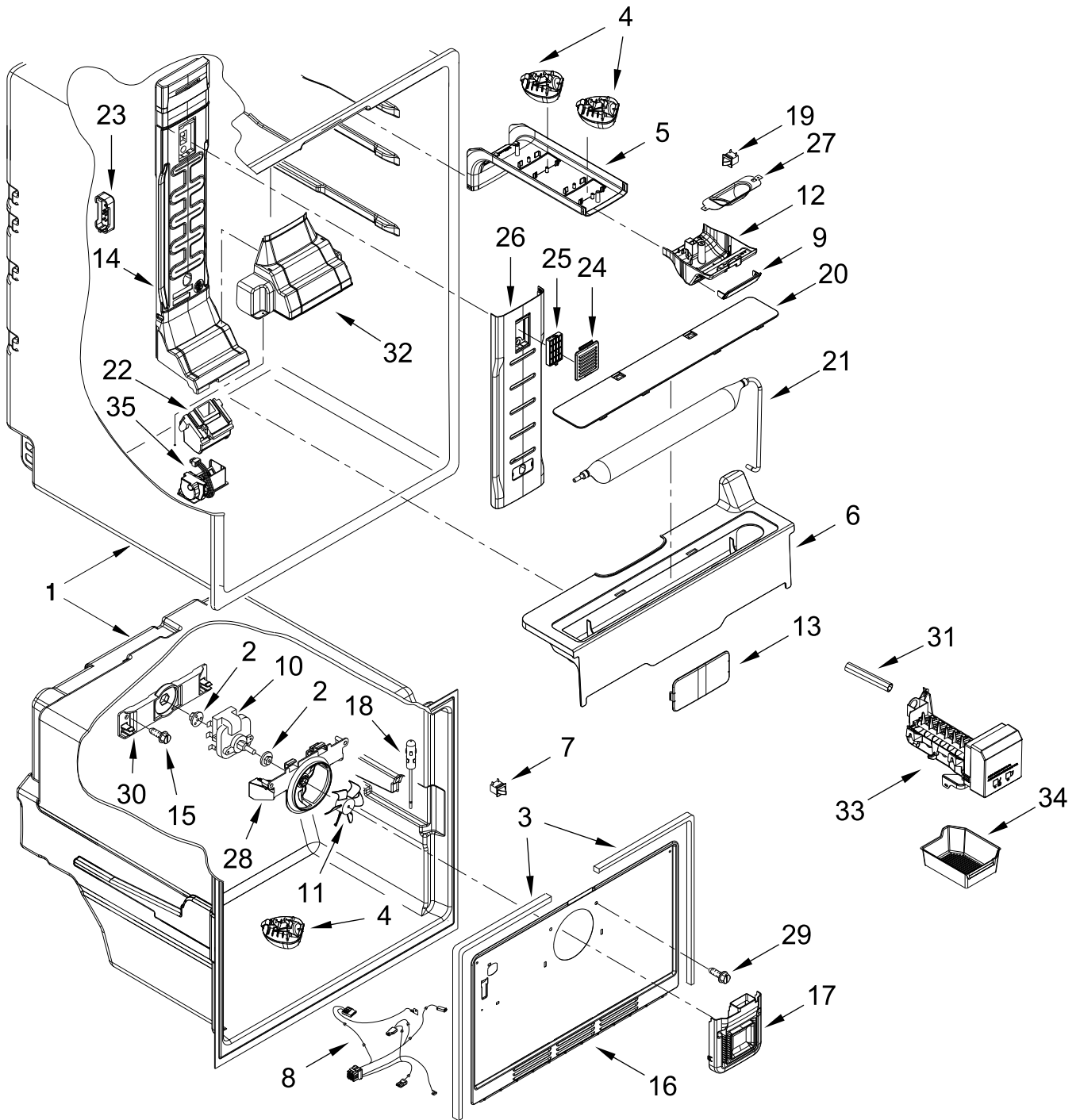
CABINET PARTS



CABINET PARTS

<u>Illus. No.</u>	<u>Part No.</u>	<u>Description</u>	<u>Illus. No.</u>	<u>Part No.</u>	<u>Description</u>	<u>Illus. No.</u>	<u>Part No.</u>	<u>Description</u>
1		Literature Parts	12	W11242280	Clamp, Power Cord	25		Cover, Hinge
	W11647961	Energy Guide	13	489497	Screw		W10465768	Left Hand (Grey)
	W11512269	Use and Care Guide	14		Hinge, Center		W10465767	Right Hand (Grey)
2		Hinge, Top		W10770878	Left Hand	26		Cabinet (Not a Serviceable Part)
	W10546298	Left Hand		W10770877	Right Hand			
	W10546299	Right Hand	15	W10450363	Shim, Center Hinge	27	2174706	Clip, Roller
3		Roller, Front	16	2262176	Screw	28	2181939	Insert, Tube
	W10359256	Left Hand	17		Rail, Center (Not Serviced)	29	W10331226	Drum, Toe Grille
	W10359255	Right Hand				30	W11175632	Locking Ring (1/4)
4	W10735398	Filter, Water	18	W11531893	Tube, Cabinet Water		W11175631	Locking Ring (5/16)
5	W10817430	Housing, Water Filter	19	W11407731	Cover, Unit	31	W10837812	Tube, Water
6	W10306392	Cover, Water Filter	20		Filler, Corner	32	W10279866	Assembly, Dual Valve
7	489497	Screw		W11189126	Grey	33	W10498992	Valve, Inlet
8		Cover, Toe Grille	21		Grille	34	W10237915	Bracket, Water Valve
	W10353932	Grey		W10353935	Grey	35	W10329003	Clamp, Tube
9	489442	Screw	22	1106508	Gasket, Seal			
10	W10141622	Brake, Roller	23	W11249272	Fitting, Water Tube			
11	W10740689	Tube, Filter Inlet	24	W10667756	Tube, Filter Outlet			

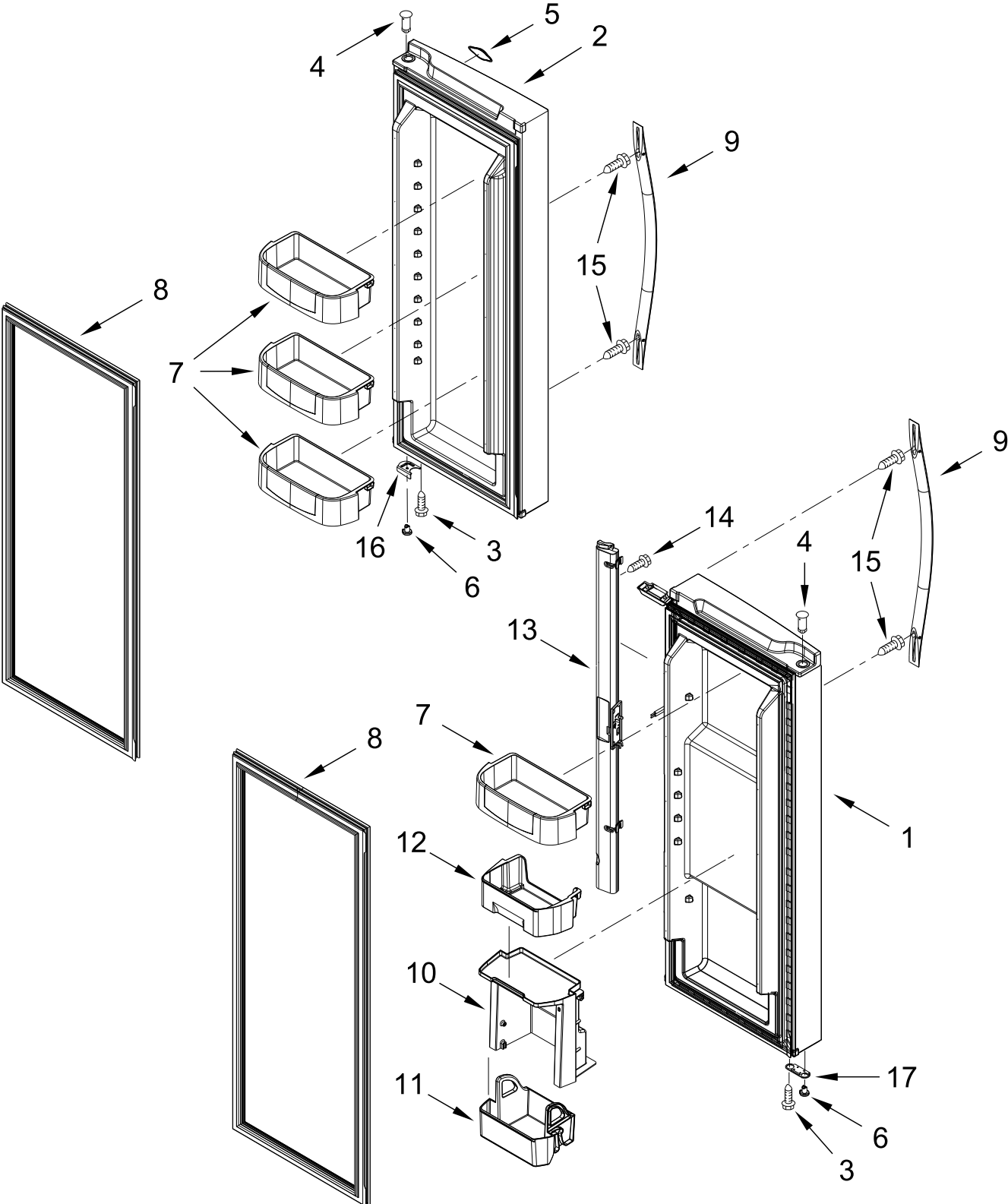
LINER PARTS



LINER PARTS

<u>Illus. No.</u>	<u>Part No.</u>	<u>Description</u>	<u>Illus. No.</u>	<u>Part No.</u>	<u>Description</u>	<u>Illus. No.</u>	<u>Part No.</u>	<u>Description</u>
1		Liner (Not A Serviceable Part)	11	2200509	Blade, Fan	24	W10330850	Grille, Air Filter Bottom
2	2197380	Grommet	12	W10453580	Housing, Control	25	W10315189	Filter, Air
3	W10468762	Gasket, Evaporator Cover	13	W10336009	Cup, Screw	26	W10356895	Tower, Multiflow Air
4	W11468934	Light Module, LED	14	W11508229	Assembly, Multiflow	27	W11377819	Heat Shield
5	W11516524	Housing, Light	15	488208	Screw	28	W10321162	Bracket, Fan Motor
6	W10798439	Container, Water Reservoir	16	W10300900	Cover, Evaporator	29	489478	Screw
7	W10847849	Switch, Light	17	W10317182	Tower, Freezer	30	2254454	Bracket, Evaporator Fan Rear
8	W11314510	Assembly, Freezer Wire	18	W10384183	Thermistor	31	W10496649	Tube, Water
9	W10459385	Cover, Control Housing	19	W10847853	Switch, Rocker	32	W10314204	Housing, Damper
10	W10464673	Motor, Fan	20	W10413160	Cover, Water Reservoir	33	W11321604	Assembly, Complete Icemaker
			21	W10568672	Reservoir, Water	34	W10378263	Pan, Ice
			22	W10474774	Cover, Damper Housing	35	W10745484	Damper, Electronic Control
			23	W10425252	Cover, Thermistor			

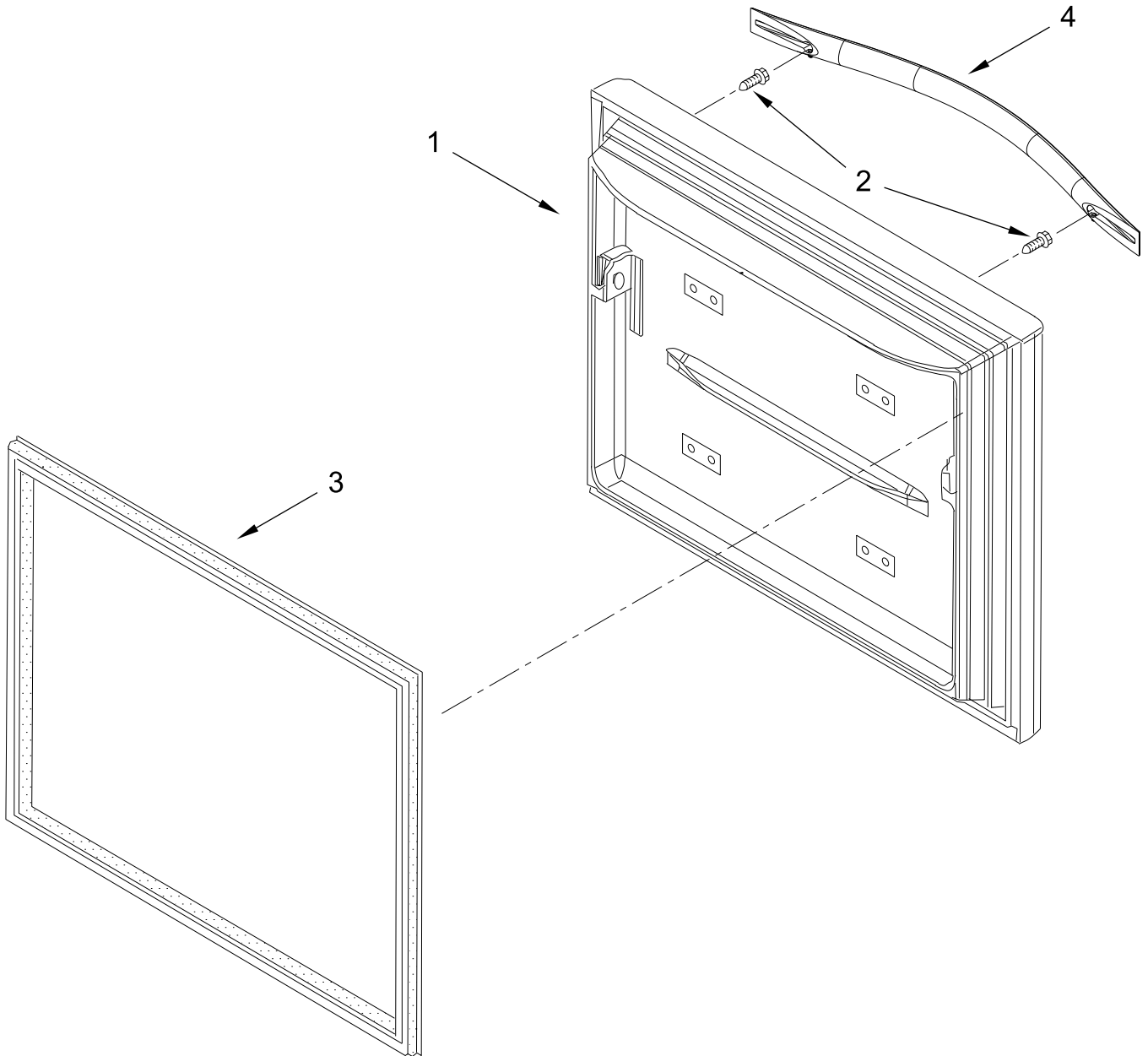
REFRIGERATOR DOOR PARTS



REFRIGERATOR DOOR PARTS

<u>Illus.</u> <u>No.</u>	<u>Part No.</u>	<u>Description</u>	<u>Illus.</u> <u>No.</u>	<u>Part No.</u>	<u>Description</u>	<u>Illus.</u> <u>No.</u>	<u>Part No.</u>	<u>Description</u>
1		Door, Left (Includes #8)	8		Gasket, Door	15	W10460893	Screw
	W11525214	Stainless		W10413468	Grey	16	W10397055	Bracket, Door Stop
2		Door, Right (Includes #8)	9		Assembly, Handle			Right Hand
	W10858417	Stainless		W11101971	Stainless	17	2189202	Bracket, Door Stop
3	489276	Screw	10	W10317224	Compartment, Utility			Left Hand
4	W10366270	Thimble, Top	11	W10462299	Caddy, Condiment			
5	W10884775	Badge	12	W10326335	Bin, Shallow			
6	W10470155	Closure, Door	13		Assembly, Flipper Mullion			
7	W10308869	Bin, Medium		W10624450	Grey			
			14	12990302	Screw			

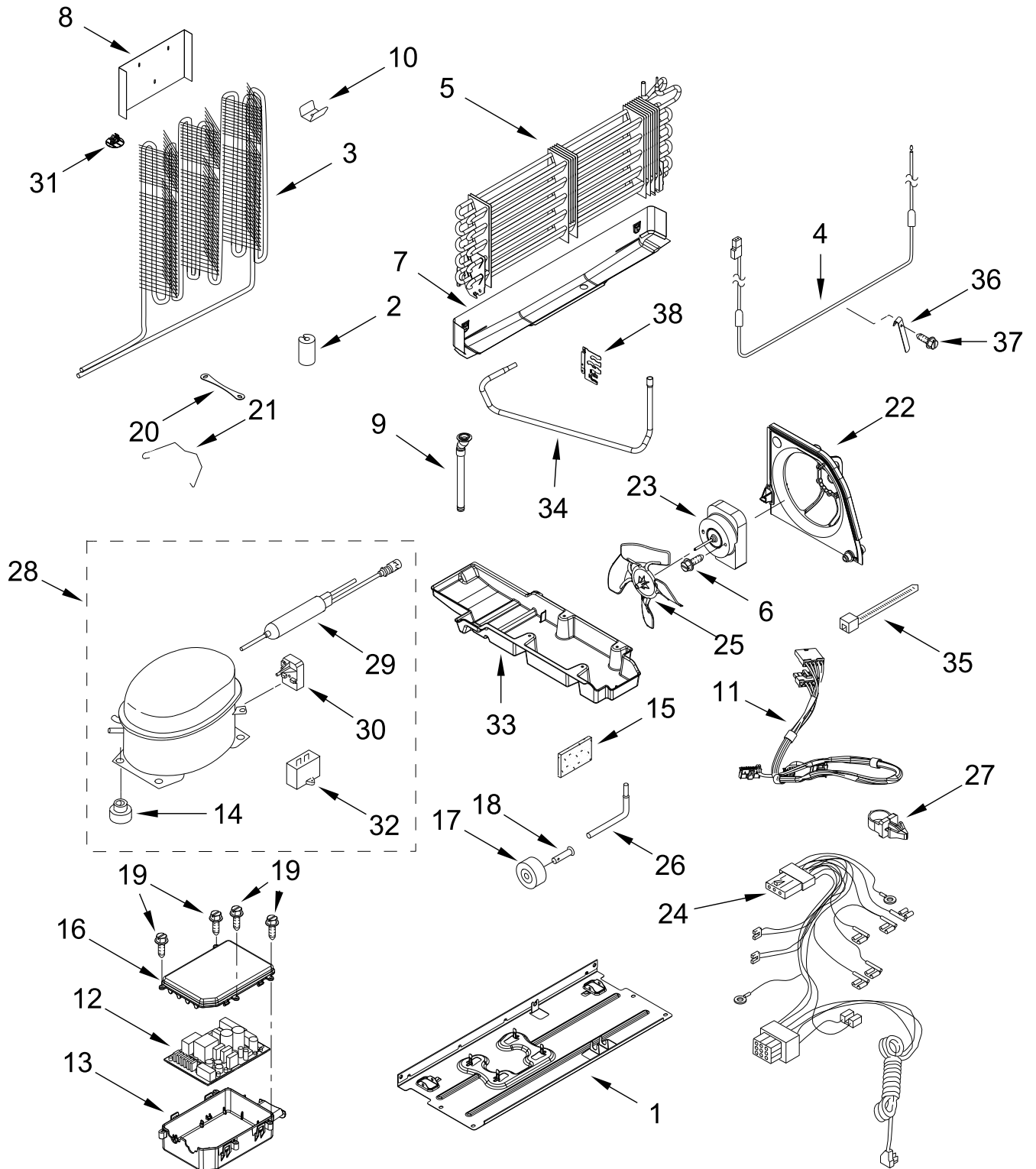
FREEZER DOOR PARTS



FREEZER DOOR PARTS

<u>Illus.</u> <u>No.</u>	<u>Part No.</u>	<u>Description</u>	<u>Illus.</u> <u>No.</u>	<u>Part No.</u>	<u>Description</u>	<u>Illus.</u> <u>No.</u>	<u>Part No.</u>	<u>Description</u>
1		Door, Freezer (Includes Items 2 & 3)	3		Gasket, Door	4		Assembly, Handle
	W10858419	Stainless		W11464960	Grey		W11125495	Stainless
2	W10460893	Screw						

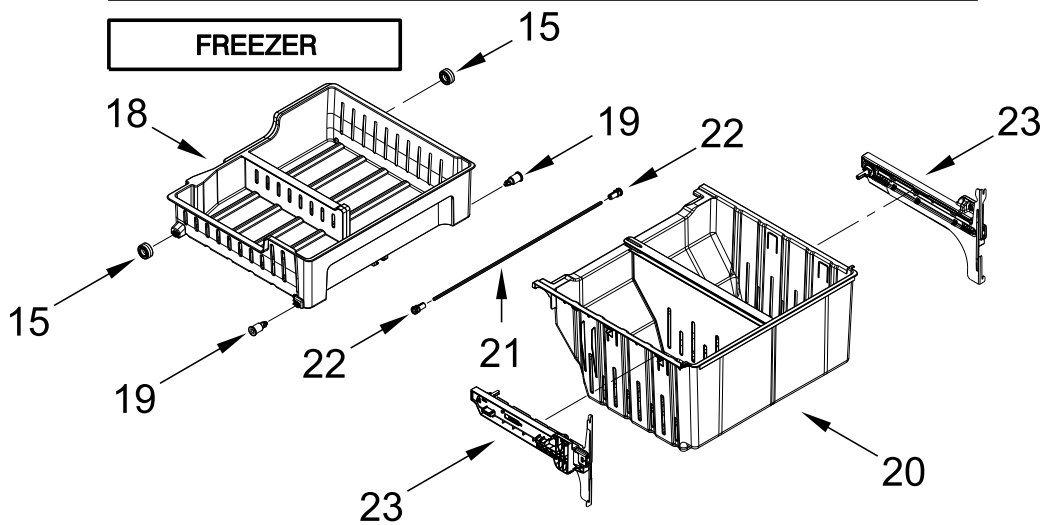
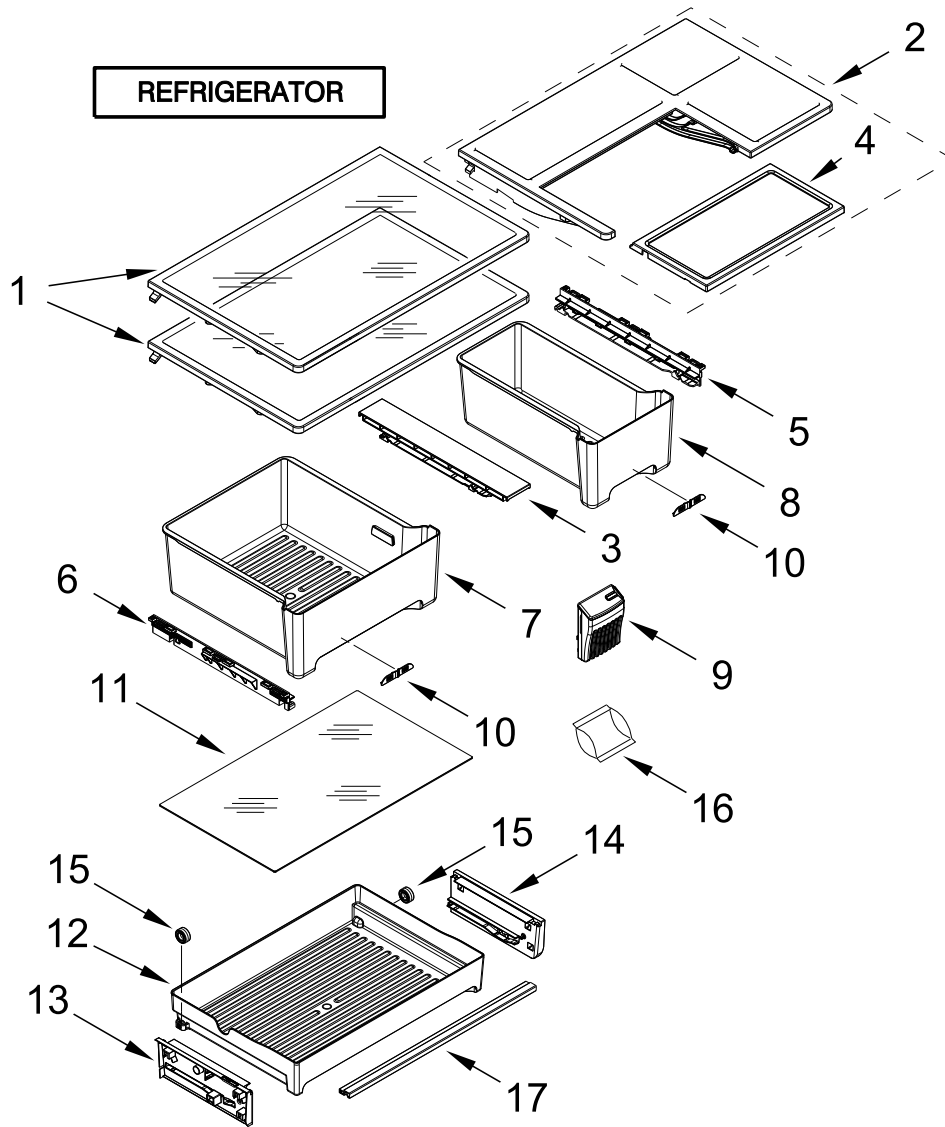
UNIT PARTS



UNIT PARTS

<u>Illus.</u> <u>No.</u>	<u>Part No.</u>	<u>Description</u>	<u>Illus.</u> <u>No.</u>	<u>Part No.</u>	<u>Description</u>	<u>Illus.</u> <u>No.</u>	<u>Part No.</u>	<u>Description</u>	
1	W10300116	Baseplate	13	2323186	Box, Control	29	W10805035	Drier (Service Drier Without Dye)	
2	2319835	Grommet, Condenser	14	W10806346	Grommet, Compressor			(Also Order the Following Lokring Parts)	
3	W10342567	Condenser (Also Order the Following Lokring Parts)	15	2215468	Insulation, Sound		W11504445	5/4 NR MS 00 (Heat Loop to Drier)	
	W11504445	5/4 NR MS 00 (High Side to Condenser)	16	W10313215	Cover, Electronic Control		W11504448	5/1.8 NR AL 00 (Capillary Tube to Drier)	
	W11504432	6/5 NR MS 00 (Suction Line to Condenser)	17	W10475495	Roller	30	W11359381	Device, Combination Start (Start Relay and Overload)	
4	W11340898	Heater, Defrost	18	2179826	Axle, Rivet		31	W10815861	Clip, Bottom Cover
5	W11341162	Assembly, Evaporator (Also Order the Following Lokring Parts)	19	8533859	Screw		32	W10590083	Capacitor
	W11504415	8.5/8 NR MS 00 (Suction Line to Evaporator)	20	W10236396	Strap, Compressor		33	W10802027	Tray, Drain
	W11504450	4/1.8 NR MS 00 (Capillary Tube to Evaporator)	21	W11495051	Strap, Bale		34	W11518248	Tube, Suction
6	8533961	Screw	22	W11509373	Bracket, Condenser Fan		35	2263990	Tie, Wire
7	W11377819	Heat Shield	23	W11546725	Motor, Condenser		36	W11558549	Heat Probe
8	W10349514	Cover, Condenser Bottom	24	W11432789	Assembly, Unit Wire		37	489478	Screw
9	W11115756	Tube, Drain	25	W10817071	Blade, Fan		38	W11466555	Bracket, Evaporator REFRIGERANT CHARGE
10	W10248621	Clip, Condenser	26	2174739	Tube, Process			43 grams (R600a)	
11	W11515411	Assembly, Low Voltage Wire	27	2219077	Clip, Harness				
12	W10892333	Control, Electronic	28	W11369198	Compressor (Also Order the Following Lokring Parts)				
				W11504432	6/5 NR MS 00 (Suction Tube to Compressor)				
				W11506619	8 NK MS 00 (High Pressure Side to Compressor)				
				W11506638	(8 NAV) (Process Tube to Compressor)				

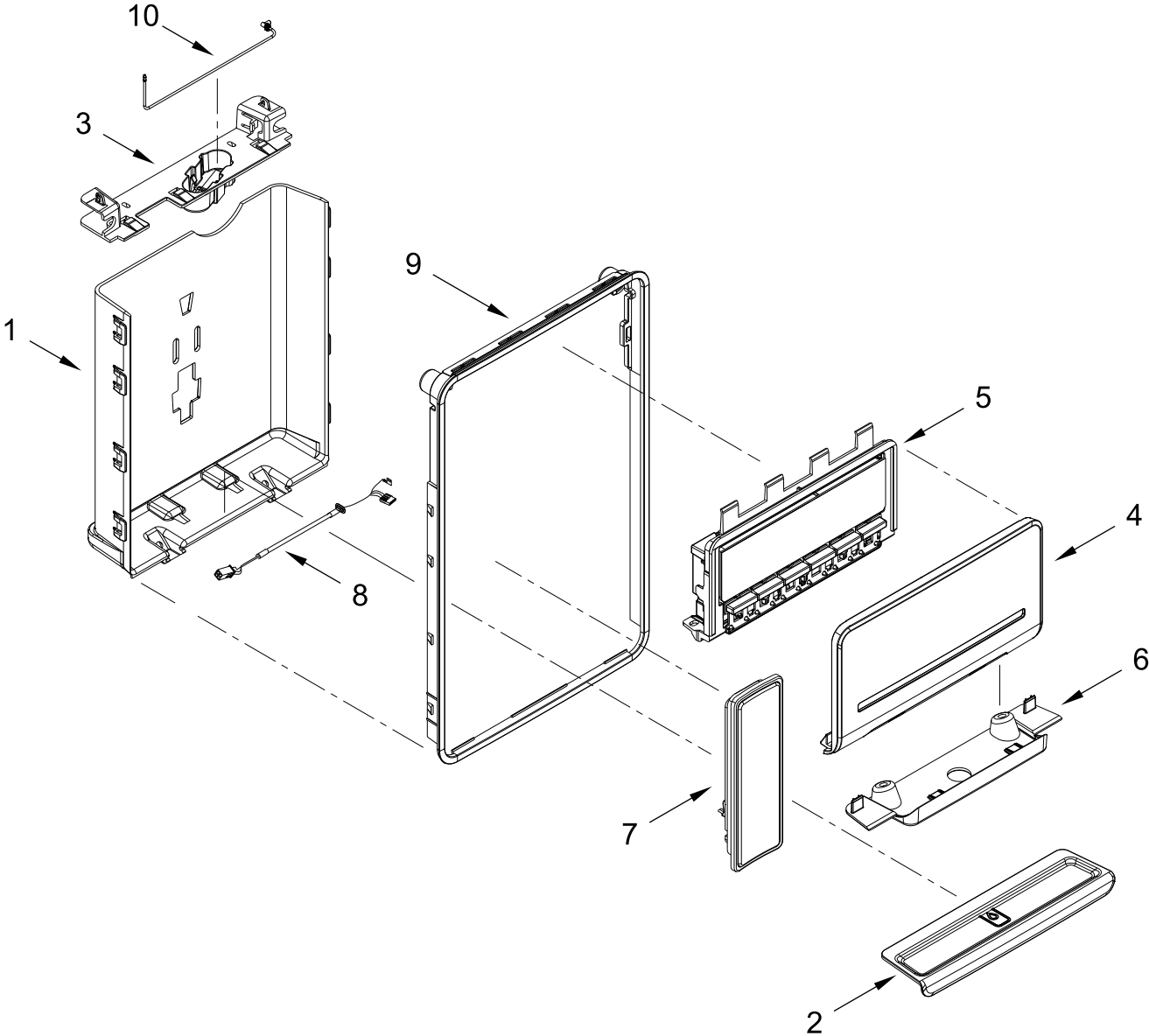
SHELF PARTS



SHELF PARTS

<u>Illus. No.</u>	<u>Part No.</u>	<u>Description</u>	<u>Illus. No.</u>	<u>Part No.</u>	<u>Description</u>	<u>Illus. No.</u>	<u>Part No.</u>	<u>Description</u>
1	W10486290	Assembly, Full Shelf (30")	10	W10356844	Control, Humidity	18	W10555437	Bin, Upper Freezer
2	W10502933	Assembly, 2/3 Flip Shelf	11	W10513681	Glass, Pantry Cover	19	W10628712	Axle, Roller
3	W10468557	Rail, Track (Center)	12	W10397907	Assembly, Pantry Deli Pan	20	W10317289	Basket, Lower Freezer
4	W10313893	Shelf, 2/3 Flip	13	W10397908	Rail, Pantry (Left Hand)	21	W10802342	Shaft, Rack
5	W10468556	Rail, Track (Right Hand)	14	W10414530	Rail, Pantry (Right Hand)	22	W10277361	Collar, Gear
6	W10468555	Rail, Track (Left Hand)	15	W10628713	Roller, Pan	23		Adaptor, Freezer
7	W10370327	Pan, Crisper (16")	16	W10346771	Filter, Produce Preserver		W10397636	Left Hand
8	W10317184	Pan, Crisper (8")	17	W10507470	Assembly, Pantry Cover Support		W10397635	Right Hand
9	W10408748	Holder, Produce Filter						

DISPENSER PARTS



DISPENSER PARTS

<u>Illus. No.</u>	<u>Part No.</u>	<u>Description</u>	<u>Illus. No.</u>	<u>Part No.</u>	<u>Description</u>	<u>Illus. No.</u>	<u>Part No.</u>	<u>Description</u>
1		Housing, Dispenser (Not Serviced)	5	W11593427	Assembly, User Interface	8	W10735841	Assembly, Dispenser Wire
2		Drip Tray	6		Cover, Separator	9	W10356017	Ring, Trim
	W10356019	Grey		W10356029	Chromium Frost	10	W11531892	Tube, Door (Includes Spigot)
3	W11586048	Separator	7		Assembly, Single Pad			
4		Fascia, Sparsh		W10433548	Grey			
	W10435575	Silver Mirror						

OPTIONAL PARTS

<u>Illus.</u> <u>No.</u>	<u>Part No.</u>	<u>Description</u>
		FOLLOWING PARTS NOT ILLUSTRATED
		TOUCH-UP PAINT
W10134625		Apollo Grey
		MISCELLANEOUS
978941		Insulation, Fiberglass (63 1/2" x 35 1/2" x 2 5/8")
212643		Sealer, Gum (4 Feet)
876305		Insulation Kit (14 Pieces, 3" x 24" x 48")
876370		Insulation (2 Pieces, 3" x 24" x 48")
505587		Sealer, Mastic (1 Qt)
542638		Grease, Silicone (1/2 Oz.)
606755		Bag
503695		Cork, Sealer