

# Freestanding Gas Range Control Guide

## FEATURE GUIDE

**WARNING:** To reduce the risk of fire, electric shock, or injury to persons, read the IMPORTANT SAFETY INSTRUCTIONS, located in your appliance's Owner's Manual, before operating this appliance.

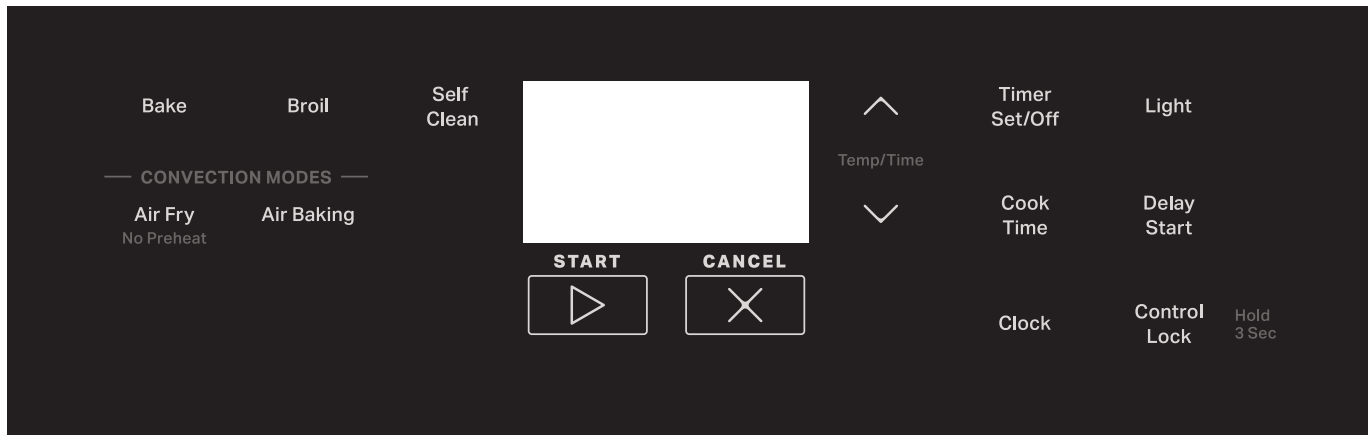
This manual covers several models. Your model may have some or all of the items listed. Refer to this manual or Frequently Asked Questions (FAQs) section of our website at [www.maytag.com/owners](http://www.maytag.com/owners) for more detailed instructions. In Canada, reference the Customer Service section at [www.maytag.ca/owners](http://www.maytag.ca/owners).

⚠ WARNING

Food Poisoning Hazard

Do not let food sit for more than one hour before or after cooking.

Doing so can result in food poisoning or sickness.



KEYPAD	FEATURE	INSTRUCTIONS
START	Cooking start	The START keypad begins any oven function. If the START keypad is not pressed within 10 seconds, a tone will sound and the START keypad will blink until pressed or canceled. If the START keypad is not pressed within 30 seconds after pressing a keypad, the function is canceled and the time of day is displayed.
CANCEL	Range function	The CANCEL keypad stops any function except the Timer and Oven Control Lockout.
Temp/Time	Temperature and time adjust	The Temp/Time up and down arrow keypads are used to adjust time and temperature settings.
Bake	Baking and roasting	<ol style="list-style-type: none"> <li>1. Press Bake.</li> <li>2. Press the Temp/Time up or down arrow keypad until desired temperature is reached. A tone will sound if the minimum or maximum temperature is reached.</li> <li>3. Press the START keypad.</li> <li>4. To change the temperature, repeat Step 2. Press the START keypad.</li> <li>5. Press the CANCEL keypad when finished.</li> </ol> <p><b>NOTE:</b> The fan will shut off when the oven door is opened. If the oven door remains open for too long, the heating elements will shut off until the oven door is closed. All timers, including any active Cook Time or Timed Cook functions, will continue to count down.</p>

KEYPAD	FEATURE	INSTRUCTIONS
<b>Broil</b>	<b>Broiling</b>	<ol style="list-style-type: none"> <li>1. Press Broil.</li> <li>2. Press the Temp/Time up or down arrow keypad until desired temperature is reached. A tone will sound if the minimum or maximum temperature is reached.</li> <li>3. Press the START keypad.</li> <li>4. Preheat the oven for five minutes, unless otherwise recommended by recipe. Position cookware in the oven and close the oven door.</li> <li>5. To change the temperature, repeat Step 2 and press the START keypad.</li> <li>6. Press the CANCEL keypad when finished.</li> </ol> <p><b>NOTE:</b> The fan will shut off when the oven door is opened. If the oven door remains open for too long, the heating elements will shut off until the oven door is closed. All timers, including any active Cook Time or Timed Cook functions, will continue to count down.</p>
<b>Self Clean</b>	<b>Self-Cleaning cycle</b>	See the "Self-Cleaning Cycle" section in the Owner's Manual.
<b>Air Fry</b>	<b>Air Frying</b>	<ol style="list-style-type: none"> <li>1. Place food directly into the oven cavity.</li> <li>2. Press Air Fry.</li> <li>3. Enter desired temperature using the number keypad. A tone will sound if the temperature entered is too low or too high.</li> <li>4. Press the START keypad. There is no preheat or preheat tone.</li> <li>5. To change the temperature, repeat Step 2. Press the START keypad.</li> <li>6. Press the CANCEL keypad when finished.</li> </ol> <p><b>NOTE:</b> The fan and elements will shut off when the oven door is opened until the oven door is closed. All timers, including any active Cook Time or Timed Cook functions, will continue to count down.</p>
<b>Air Baking</b>	<b>Baking and roasting</b>	<ol style="list-style-type: none"> <li>1. Press the Baking.</li> <li>2. Press the Temp/Time up or down arrow keypad until desired temperature is reached. A tone will sound if the minimum or maximum temperature is reached.</li> <li>3. Press the START keypad.</li> <li>4. To change the temperature, repeat Step 2. Press the START keypad.</li> <li>5. Press the CANCEL keypad when finished.</li> </ol> <p><b>NOTE:</b> The fan will shut off when the oven door is opened. If the oven door remains open for too long, the heating elements will shut off until the oven door is closed. All timers, including any active Cook Time or Timed Cook functions, will continue to count down.</p>
<b>Timer Set/Off</b>	<b>Oven timer</b>	<p>The Timer can be set in hours or minutes up to 9 hours and 59 minutes.</p> <ol style="list-style-type: none"> <li>1. Press Timer Set/Off.</li> <li>2. Press the Temp/Time up or down arrow keypad to set the length of time.</li> <li>3. Press the START keypad to begin the countdown. If enabled, end-of-cycle tones will sound at end of countdown.</li> <li>4. Press the Timer Set/Off keypad to cancel the Timer. Do not press the CANCEL keypad because the oven will turn off.</li> </ol>
<b>Light</b>	<b>Oven cavity light</b>	While the oven door is closed, press the Light keypad to turn the light on and off. The oven light will come on when the oven door is opened. The oven light will not come on during the Self-Cleaning cycle.
<b>Cook Time</b>	<b>Timed Cooking</b>	<p>Cook Time allows the oven to be set to turn on at a certain time of day, cook for a set length of time, and/or shut off automatically.</p> <p>To set a Timed Cook or a Delayed Timed Cook, see "Cook Time" section.</p>
<b>Delay Start</b>	<b>Delayed start</b>	<p>Delay Start is used to enter the starting time for an oven function with a delayed start. Delay Start should not be used for foods such as breads and cakes because they may not bake properly.</p> <p>To set a Timed Cook or a Delayed Timed Cook, see "Cook Time" section.</p>

KEYPAD	FEATURE	INSTRUCTIONS
<b>Clock</b>	<b>Clock</b>	The Clock uses a 12 hour cycle. <ol style="list-style-type: none"> <li>1. Check that the oven is off.</li> <li>2. Press Clock.</li> <li>3. Press the Temp/Time up or down arrow keypad to set the hours. Press the Clock keypad to switch to the minutes. Press the Temp/Time up or down arrow keypad to set the minutes.</li> <li>4. Press the Clock or START keypad.</li> </ol>
<b>Control Lock (Hold 3 Sec)</b>	<b>Oven control lockout</b>	<ol style="list-style-type: none"> <li>1. Check that the oven and cooktop are off.</li> <li>2. Press and hold the Control Lock keypad for 3 seconds.</li> <li>3. A tone will sound and a lock will be displayed.</li> <li>4. Repeat to unlock. No keypads will function with the controls locked.</li> </ol>

## Surface Temperatures

When the range is in use, all range surfaces may become hot, such as the knobs and oven door.

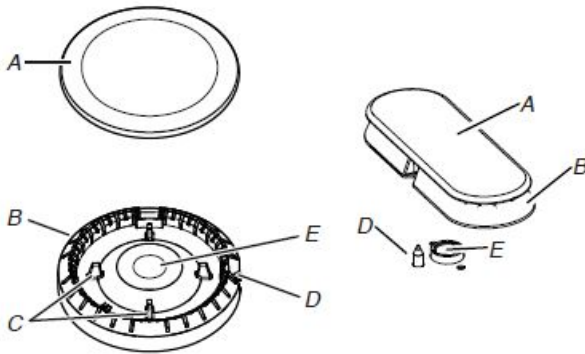
### Storage Drawer

When the oven is in use, the drawer may become hot. Do not store plastics, cloth, or other items that could melt or burn in the drawer.

### Oven Vent

The oven vent releases hot air and moisture from the oven, and should not be blocked or covered. Do not set plastics, paper, or other items that could melt or burn near the oven vent.

## Surface Burners



A. Burner cap  
 B. Burner base  
 C. Alignment pins  
 D. Igniter  
 E. Gas tube opening

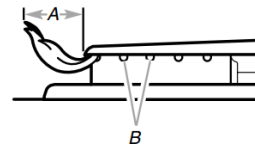
**NOTE:** The oval burner base is permanently attached to the burner cap.

**IMPORTANT:** Do not obstruct the flow of combustion and ventilation air around the burner grate edges.

**Burner cap:** Always keep the burner cap in place when using a surface burner. A clean burner cap will help avoid poor ignition and uneven flames. Always clean the burner cap after a spillover and routinely remove and clean the caps according to the "General Cleaning" section.

**Alignment:** Be sure to align the gas tube opening in the burner base with the orifice holder on the cooktop and the igniter electrode with the notch in the burner base.

**Gas tube opening:** Gas must flow freely throughout the gas tube opening for the burner to light properly. Keep this area free of soil and do not allow spills, food, cleaning agents, or any other material to enter the gas tube opening. Keep spillovers out of the gas tube opening by always using a burner cap.



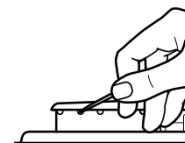
A. 1-1/2" (2.5-3.8 cm)  
 B. Burner ports

**Burner ports:** Check burner flames occasionally for proper size and shape as shown in the previous illustration. A good flame is blue in color, not yellow. Keep this area free of soil and do not allow spills, food, cleaning agents, or any other material to enter the burner ports.

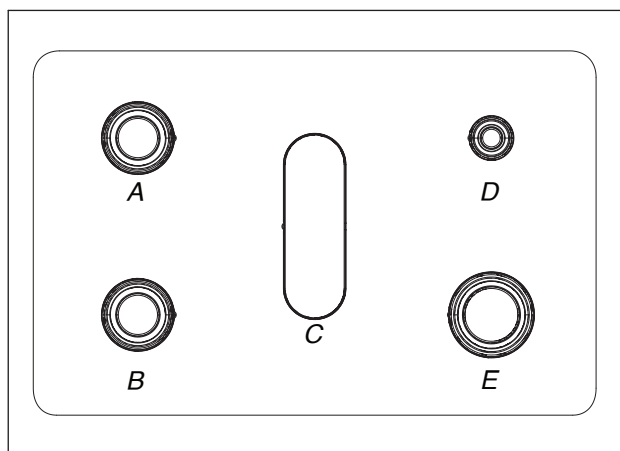
### To Clean:

**IMPORTANT:** Before cleaning, make sure all controls are OFF and the cooktop is cool. Do not use oven cleaners, bleach, or rust removers.

1. Remove the burner cap and the burner base, and clean according to "General Cleaning" section in the Owner's Manual.
2. Clean the gas tube opening with a damp cloth.
3. Clean clogged burner ports with a straight pin as shown. Do not enlarge or distort the port. Do not use a wooden toothpick. If the burner needs to be adjusted, contact a trained repair specialist.

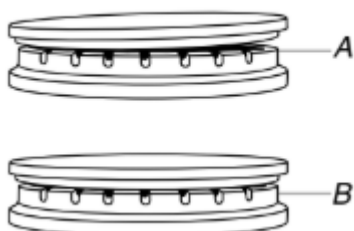


- Replace the burner base. Each round burner base is marked with a letter indicating the burner size. See the following illustration for burner positions.



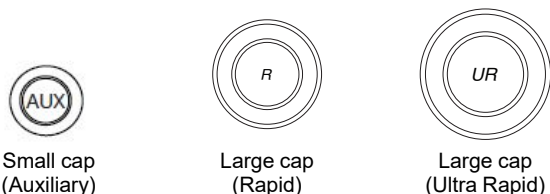
- A. Large (Rapid)      D. Small (Auxiliary)  
 B. Large (Rapid)      E. Large (Ultra Rapid)  
 C. Oval (OV)

- Replace the burner cap, making sure the alignment pins are properly aligned with the burner cap.



- A. Incorrect  
 B. Correct

- Place the burner caps on the appropriate burner bases.  
**IMPORTANT:** The bottom of the small and medium caps are different. Do not put the wrong size burner cap on the burner base.



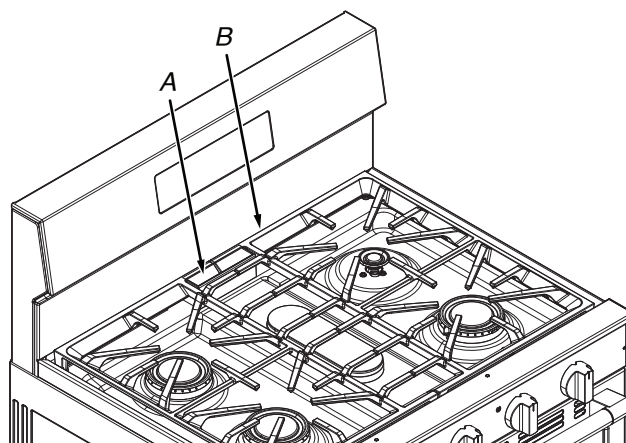
- Small cap (Auxiliary)      Large cap (Rapid)      Large cap (Ultra Rapid)

- Turn on the burner. If the burner does not light, check cap alignment. If the burner still does not light, do not service the sealed burner yourself. Contact a trained repair specialist.

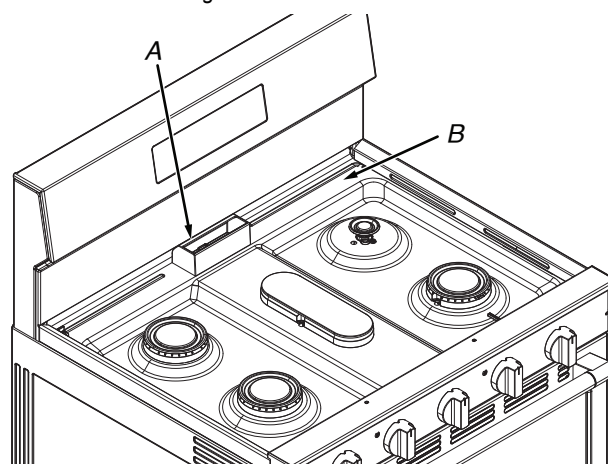
## Grates

The grates must be properly positioned before cooking. In the proper position, the grates should be flush and level. Improper installation of the grates may result in chipping or scratching of the cooktop.

To ensure proper positioning, align the slot left grate with the center oven vent cover on the cooktop. Repeat with the right grate. Ensure that the grates are between the locating features in the cooktop front to back.



- A. Center oven vent cover  
 B. Slots on grate



- A. Center oven vent cover  
 B. Locating features

Although the burner grates are durable, they will gradually lose their shine and/or discolor due to the high temperatures of the gas flame.

## Cookware

**IMPORTANT:** Do not leave empty cookware on a hot surface cooking area, element or surface burner.

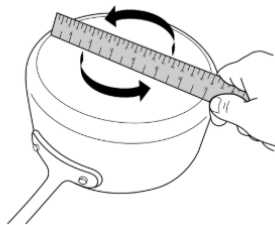
Ideal cookware should have a flat bottom, straight sides and a well-fitting lid, and the material should be of medium-to-heavy thickness.

Rough finishes may scratch the cooktop or grates/coils. Aluminum and copper may be used as a core or base in cookware. However, when used as a base they can leave permanent marks on the surfaces.

Cookware material is a factor in how quickly and evenly heat is transferred, which affects cooking results. A nonstick finish has the same characteristics as its base material. For example, aluminum cookware with a nonstick finish will take on the properties of aluminum.

Cookware with nonstick surfaces should not be used under the broiler.

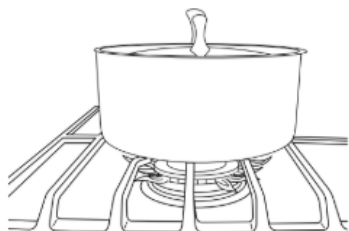
Check for flatness by placing the straight edge of a ruler across the bottom of the cookware. While you rotate the ruler, no space or light should be visible between it and the cookware.



Use the following chart as a guide for cookware material characteristics.

Cookware	Characteristics
<b>Aluminum</b>	<ul style="list-style-type: none"> <li>■ Heats quickly and evenly.</li> <li>■ Suitable for all types of cooking.</li> <li>■ Medium or heavy thickness is best for most cooking tasks.</li> </ul>
<b>Cast iron</b>	<ul style="list-style-type: none"> <li>■ Heats slowly and evenly.</li> <li>■ Good for browning and frying.</li> <li>■ Maintains heat for slow cooking.</li> </ul>
<b>Ceramic or Ceramic glass</b>	<ul style="list-style-type: none"> <li>■ Follow manufacturer's instructions.</li> <li>■ Heats slowly, but unevenly.</li> <li>■ Ideal results on low to medium heat settings.</li> </ul>
<b>Copper</b>	<ul style="list-style-type: none"> <li>■ Heats very quickly and evenly.</li> <li>■ May leave copper residues, which may be diminished if cleaned immediately after cooking.</li> </ul>
<b>Earthenware/ Stoneware</b>	<ul style="list-style-type: none"> <li>■ Follow manufacturer's instructions.</li> <li>■ Use on low heat settings.</li> </ul>
<b>Porcelain enamel-on-steel or cast iron</b>	<ul style="list-style-type: none"> <li>■ See stainless steel or cast iron.</li> </ul>
<b>Stainless steel</b>	<ul style="list-style-type: none"> <li>■ Heats quickly, but unevenly.</li> <li>■ A core or base of aluminum or copper on stainless steel provides even heating.</li> </ul>

For best results, the cookware should be centered above the burner with the bottom sitting level on the grate. The flame should be adjusted so that it does not extend up the sides of the pan.



## Home Canning

When canning for long periods, alternate the use of surface burners between batches. This allows time for the most recently used areas to cool.

- Center the canner on the grate above the burner.
- Do not place canner on 2 surface burners at the same time.
- For more information, contact your local agricultural extension office or refer to published home canning guides. Companies that manufacture home canning products can also offer assistance.

## Oven Use

The normal operation of the range will include several noises that may be heard each time the Bake or Broil burners ignite during the cooking cycle:

- Gas valves may make a "popping" sound when opening or closing.
- Igniters will "click" several times until a flame is sensed.
- A "poof" sound is heard when a bake or broil burner ignites.

Odors and smoke are normal when the oven is used the first few times or when it is heavily soiled.

**IMPORTANT:** The health of some birds is extremely sensitive to the fumes given off. Exposure to the fumes may result in death to certain birds. Always move birds to another closed and well-ventilated room.

**NOTE:** On some models: The fan will shut off when the oven door is opened. If the oven door remains open for too long, the heating elements will shut off until the oven door is closed. All timers, including any active Cook Time or Timed Cook functions, will continue to count down.

## Electronic Oven Controls

### Control Display

The display will flash when powered up or after a power loss. Press the CANCEL keypad to clear. When the oven is not in use, the time of day is displayed.

### Fahrenheit and Celsius

The temperature is preset to Fahrenheit but can be changed to Celsius.

**To change:** Press and hold the Temp/Time up arrow keypad for 5 seconds. "°C" or "°F" will appear on the display. Repeat to change back.

To exit mode, press the CANCEL keypad.

### Keypress Tones

Activates or turns off the tones when a keypad is pressed.

**To change:** Press and hold Light for 5 seconds. Repeat to change back.

To exit mode, press the CANCEL keypad.

### Demo Mode

**IMPORTANT:** This feature is intended for use on the sales floor with 120 V power connection and permits the control features to be demonstrated without the oven turning on. If this feature is activated, the oven will not work.

**To change:** Press the CANCEL keypad, the CANCEL keypad, the Temp/Time up arrow keypad, and Timer Set/Off. Repeat to change back and end Demo mode.

## Oven Temperature Offset Control

**IMPORTANT:** Do not use a thermometer to measure oven temperature. Elements will cycle on and off as needed to provide consistent temperature, but they may run slightly hot or cool at any point in time due to this cycling. Most thermometers are slow to react to temperature change and will not provide an accurate reading due to this cycling.

The oven provides accurate temperatures; however, it may cook faster or slower than your previous oven, so the temperature can be adjusted to personalize it for your cooking needs. It can be changed in Fahrenheit or Celsius.

### To Adjust Oven Temperature:

1. Press and hold the Temp/Time down arrow keypad for 5 seconds until the oven display shows the current setting, for example "0°F CAL" or "00."
2. Press the Temp/Time up or down arrow keypad to increase or decrease the temperature in 5°F (3°C) amounts. The adjustment can be set between 30°F (18°C) and -30°F (-18°C).
3. Press the START keypad.

## Sabbath Mode

For guidance on usage and a complete list of models with Sabbath mode, visit [www.star-k.org](http://www.star-k.org).

The Sabbath mode sets the oven to remain on in a Bake setting until turned off. A Timed Bake can also be set to keep the oven on for only part of the Sabbath. The Oven Control Lockout feature will be disabled during the Sabbath mode. After the Sabbath mode is set, no tones will sound, the display will not show the temperature, the Timer mode will be canceled (if active), and only the following keypads will function:

- Temp/Time up and down arrow keypads
- CANCEL

When the oven door is opened or closed, the oven light will not turn on or off and the heating elements will not turn on or off immediately.

When power is restored after a power failure, the oven will return to Sabbath mode and remain Sabbath compliant with the bake elements off until the CANCEL keypad is pressed.

Pressing the CANCEL keypad at any time returns the oven to the normal cooking mode (not Sabbath compliant).

Before entering the Sabbath mode, it must be decided if the oven light is to be on or off for the entire Sabbath mode period. If the light is on when entering Sabbath mode, it will remain on for the entire time Sabbath mode is in use. If the light is off when entering Sabbath mode, it will remain off for the entire time Sabbath mode is in use. Opening the oven door or pressing Light will not affect the oven light once Sabbath mode has been entered.

On the Holiday, the oven temperature can be changed once the oven is in Sabbath mode by pressing the Temp/Time up or down arrow keypad. The oven temperature will change 25°F (14°C) each time the Temp/Time up and down arrow keypads are pressed. Press the START keypad to activate the new temperature. The display will not change and there will be no sounds during this adjustment.

### To Activate and Bake Using Sabbath Mode:

1. Press Bake.
2. Press the Temp/Time up or down arrow keypad.
3. Press the START keypad.
4. Press and hold Timer Set/Off for 5 seconds. "SAb" will flash in the display.
5. Press the START keypad while "SAb" is flashing to enter Sabbath mode; otherwise, the entire cycle cancels out. "SAb" will stop flashing and remain on in the display. The oven is now in Sabbath mode and is Sabbath compliant.

Pressing the CANCEL keypad at any time returns the oven to the normal cooking mode (not Sabbath compliant).

**NOTE:** On some models: If "SAb" does not appear in your display, the Sabbath mode is not active. After Sabbath mode is deactivated, you must activate Sabbath mode by completing steps 1 through 5.

### To Set a Timed Bake Using Sabbath Mode (on some models):

1. Press Bake.
2. Press the Temp/Time up or down arrow keypad to enter a temperature other than the one displayed.
3. Press Cook Time. The Cook Time oven indicator light will light up.
4. Press the Temp/Time up or down arrow keypad to enter a cook time length.
5. Press the START keypad.
6. Press and hold Timer Set/Off for 5 seconds. "SAb" will flash in the display.
7. Press the START keypad while "SAb" is flashing to enter Sabbath mode; otherwise, the entire cycle cancels out. "SAb" will stop flashing and remain on in the display. The oven is now in Sabbath mode and is Sabbath compliant. The Bake, On, and Cook Time indicator lights will be displayed.

When the set cook time ends, the oven will shut off automatically and the indicator lights will turn off, indicating the end of the cycle.

Pressing the CANCEL keypad at any time returns the oven to the normal cooking mode (not Sabbath mode compliant).

**NOTE:** If "SAb" does not appear in your display, the Sabbath mode is not active. After Sabbath mode is deactivated, you must activate Sabbath mode by completing steps 1 through 5.

### To Set a Delayed Timed Bake Using Sabbath Mode (on some models):

1. Press Bake.
2. Press the Temp/Time up or down arrow keypad to enter a temperature other than the one displayed.
3. Press Cook Time. The Cook Time oven indicator light will light up.
4. Press the Temp/Time up or down arrow keypad to enter a cook time length.
5. Press Delay Start. The Delay indicator light will light up.
6. Press the Temp/Time up or down arrow keypad to enter a start time.
7. Press the START keypad.
8. Press and hold Timer Set/Off for 5 seconds. "SAb" will flash in the display.
9. Press the START keypad while "SAb" is flashing to enter Sabbath mode; otherwise, the entire cycle cancels out. "SAb" will stop flashing and remain on in the display. The oven is now in Sabbath mode and is Sabbath compliant. The On and Delay indicator lights will be displayed.

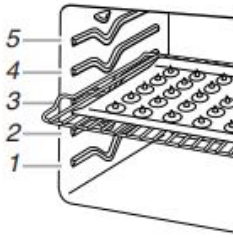
When the start time is reached, the Bake, On, and Cook Time indicator lights will automatically turn on. When the set cook time ends, the oven will shut off automatically and the indicator lights will turn off, indicating the end of the cycle.

Pressing the CANCEL keypad at any time returns the oven to the normal cooking mode (not Sabbath mode compliant).

**NOTE:** On some models: If "SAb" does not appear in your display, the Sabbath mode is not active. After Sabbath mode is deactivated, you must activate Sabbath mode by completing steps 1 through 5.

## Positioning Racks and Bakeware

Use the following illustration as a guide.



### Rack Positions

Rack 5: Toasting bread or broiling thin, non-fatty foods

Rack 4: Air fry basket, two-rack baking and broiling

Rack 3: Most baked goods on a cookie sheet, muffin pan, or jelly roll pan; layer cakes; broiling chicken pieces

Rack 2: Pies, casseroles, yeast bread, quick breads, frozen convenience foods, and two-rack baking

Rack 1: Roasting large and small cuts of meat and poultry

### Bakeware

To cook food evenly, hot air must be able to circulate. Allow 2" (5 cm) of space around bakeware and oven walls. Make sure that no bakeware piece is directly over another.

### Multiple Rack Cooking

Two-rack: Use rack positions 2 and 4.

## Air Fry Basket

Part of what makes air fryers so efficient at crisping up your food has to do with the perforated basket that is designed for air frying. The air fry basket allows the hot air to circulate thoroughly on the entire surface of the food. When using the Air Fry feature, position the air fry basket on top of a large baking sheet to collect crumbs, oil, and mitigate smoke. Place the basket and sheet in the rack position 4 of the oven. Refer to Positioning Racks and Bakeware in the Control Guide or Product Guide for more details. Avoid using more than one basket to avoid uneven cooking.

## Baking and Roasting

### Preheating

When beginning a Bake cycle, the oven will begin preheating after start is pressed. The oven will take approximately 12 to 15 minutes to reach 350°F (177°C) with all of the oven racks provided with your oven inside the oven cavity. Higher temperatures will take longer to preheat. The preheat cycle rapidly increases the oven temperature. The actual oven temperature will go above your set temperature to offset the heat lost when your oven door is opened to insert food. This ensures that when you place your food in the oven, the oven will begin at the proper temperature. Insert your food when the preheat tone sounds. Do not open the door during preheat before the tone sounds.

### Oven Temperature

While in use, the oven elements will cycle on and off as needed to maintain a consistent temperature, but they may run slightly hot or cool at any point in time due to this cycling. Opening the oven door while in use will release the hot air and cool the oven which could impact the cooking time and performance. It is recommended to use the oven light to monitor cooking progress.

## Temperature Management System

The Temperature Management System electronically regulates the oven heat levels during preheat and bake to maintain a precise temperature range for optimal cooking results. The bake and broil elements or burners cycle on and off in intervals. On some models, the fan will run while preheating and may be cycled on and off for short intervals during bake to provide the best results. This feature is automatically activated when the oven is in use.

Before baking and roasting, position racks according to the "Positioning Racks and Bakeware" section. When roasting, it is not necessary to wait for the oven preheat cycle to end before putting food in unless it is recommended in the recipe.

## Broiling

**NOTE:** The fan will shut off when the oven door is opened. If the oven door remains open for too long, the heating elements will shut off until the oven door is closed. All timers, including any active Cook Time or Timed Cook functions, will continue to count down.

When broiling, preheat the oven for 5 minutes before putting food in unless recommended otherwise in the recipe. Position food on grid in a broiler pan, then place it in the center of the oven rack.

**IMPORTANT:** Close the door to ensure proper broiling temperature.

Changing the temperature when broiling allows more precise control when cooking. The lower the broil setting is, the slower the cooking. Thicker cuts and unevenly shaped pieces of meat, fish, and poultry may cook better at lower broil settings. Use racks 4 or 5 for broiling. Refer to the "Positioning Racks and Bakeware" section for more information.

On lower settings, the broil element will cycle on and off to maintain the proper temperature.

- For best results, use a broiler pan and grid. It is designed to drain juices and help avoid spatter and smoke.

If you would like to purchase a broiler pan, one may be ordered. Please refer to the Quick Start Guide for contact information.

**NOTE:** Odors and smoke are normal the first few times the oven is used or if the oven is heavily soiled.

## Air Frying

While air frying, the heating elements and fan cycle on and off in intervals to maintain the oven temperature while the fan circulates the hot air. Close the oven door to ensure proper temperature.

**IMPORTANT:** Cooking times, temperatures, and general instructions may vary depending on recipe.

Air frying in a large oven cavity allows for more food to be air fried at one time, longer baking times are to be expected.

- When air frying, food should be evenly spaced in an air fry basket in a single layer.
- Refer to instructions on packaged food for conventional oven baking regarding air fry time and temperature.
- For fresh food recipes with bake times over 30 minutes, a 5-10 minutes preheat is recommended.
- For frozen, bone-in, or dense foods with cook times less than 15 minutes, additional time may be required.
- It is not recommended to use wet batter when air frying.
- For best performance, shake or flip food half-way through bake time. Be sure to close the oven door after removing and inserting the food back to the cavity.
- Spray air fry basket with oil to avoid food sticking to basket.

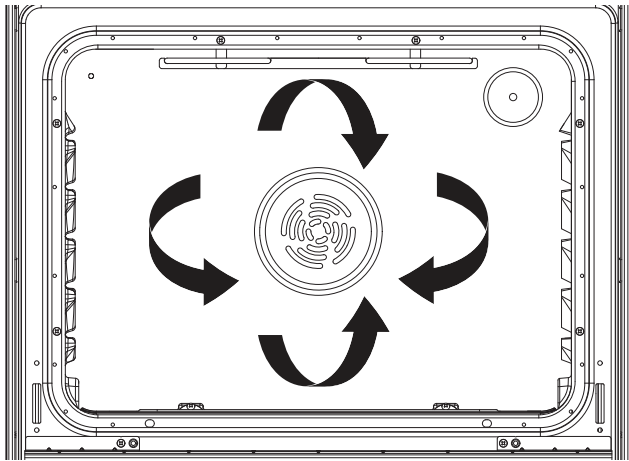
**NOTE:** Greasy foods may cause smoke during the air fry cycle. Properly using the air fry basket and baking sheet will help to reduce the amount of smoke produced. Maintaining a clean oven and baking sheet will also help reduce the amount of smoke.



## Air Cooking

During Air cooking cycles the bake burner on and off in intervals while the fan circulates the hot air. This movement of hot air helps maintain a consistent temperature throughout the oven, cooking foods more evenly, crisping surfaces while sealing in moisture, and yielding crustier breads.

**IMPORTANT:** With air cooking, most foods can be cooked at a lower temperature or at a shorter time. This range automatically reduces the set oven temperature by 25°F (15°C) for air cooking.



During air cooking, the bake and broil burners and heating element cycle on and off in intervals to maintain the oven temperature, while the fan circulates the hot air.

**NOTE:** The fan will turn on approximately 5 minutes into any air cycle.

If the oven door is opened during cooking, the fan will turn off immediately. It will come back on when the oven door is closed.

**NOTE:** The oven door must be closed for broiling.

### Options

**Air Bake** - Multiple-rack baking or cookies, biscuits, breads, casseroles, tarts, tortes, cakes.

**Air Roast** - Whole chicken or turkey, vegetables, pork roasts, beef roasts.

**Air Broil** - Thicker cuts or unevenly shaped pieces of meat, fish or poultry.

## Cook Time

### To Set a Timed Cook:

1. Press Bake. The Bake indicator light will light up.
2. Press the Temp/Time up or down arrow keypad to enter a temperature other than the one displayed.
3. Press Cook Time. The Cook Time oven indicator light will light up.
4. Press the Temp/Time up or down arrow keypad to enter the length of time to cook.
5. Press the START keypad. The display will count down the time. When the time ends, the oven will shut off automatically.
6. Press the CANCEL keypad to clear the display.

### To Set a Delayed Timed Cook:

Before setting, make sure the clock is set to the correct time of day. See Clock keypad feature in the Feature Guide section.

1. Press Bake.
2. Press the Temp/Time up or down arrow keypad to enter a temperature other than the one displayed.
3. Press Cook Time. The cook time oven indicator light will light up.
4. Press Temp/Time up or down arrow keypad to enter the length of time to cook.
5. Press Delay Start. The Delay Oven indicator light will light up.

6. Press Temp/Time up or down arrow keypad to enter the time of day to start.
7. Press the START keypad.  
When the start time is reached, the oven will automatically turn on. The Temperature and/or Cook Time settings can be changed anytime after the oven turns on by repeating steps 2-4 and pressing the START keypad. To change to a different delay time, cancel the features and repeat steps 1-7. When the set cook time ends, the oven will shut off automatically.
8. Press the CANCEL keypad to clear the display.



# Guide des commandes de la cuisinière à gaz autoportante

## GUIDE DES CARACTÉRISTIQUES

**AVERTISSEMENT :** Pour réduire le risque d'incendie, de décharge électrique ou de blessures, lire les INSTRUCTIONS IMPORTANTES DE SÉCURITÉ du guide d'utilisation de votre appareil avant de faire fonctionner cet appareil.

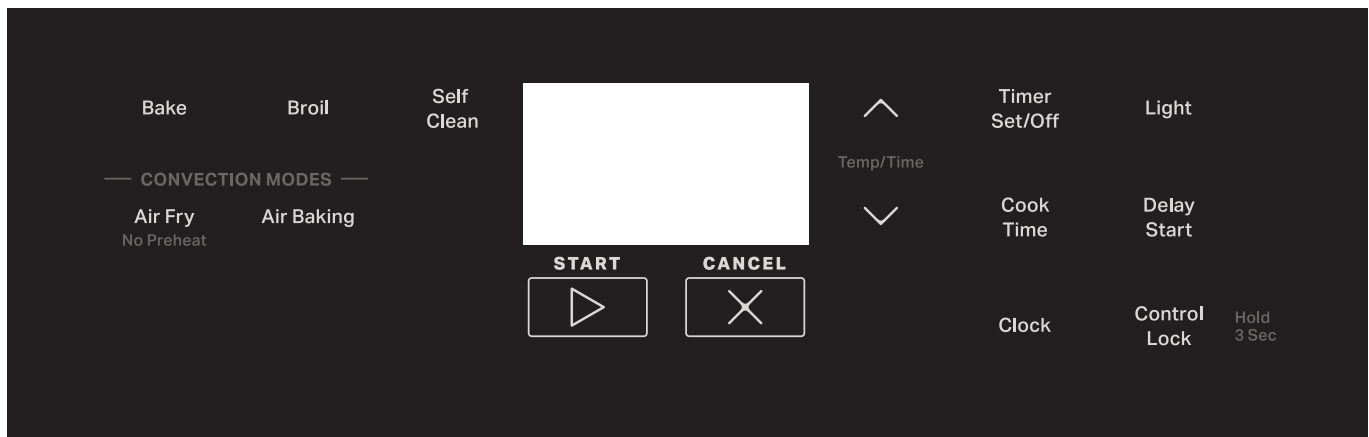
Le présent manuel couvre plusieurs modèles. Votre modèle peut comporter toutes les caractéristiques énumérées ou seulement certaines d'entre elles. Se reporter à ce manuel ou à la section Foire aux questions (FAQ) de notre site Web au [www.maytag.com/owners](http://www.maytag.com/owners) pour des instructions plus détaillées. Au Canada, consulter la section du service à la clientèle au [www.maytag.ca/proprietaire](http://www.maytag.ca/proprietaire).

**⚠ AVERTISSEMENT**

**Risque d'empoisonnement alimentaire**

**Ne pas laisser des aliments reposer plus d'une heure avant ou après la cuisson.**

**Le non-respect de cette instruction peut causer un empoisonnement alimentaire ou une maladie.**



CLAVIER	CARACTÉRIS- TIQUE	INSTRUCTIONS
<b>START (MISE EN MARCHÉ)</b>	<b>Démarrage de la cuisson</b>	La touche START (MISE EN MARCHÉ) met en marche n'importe quelle fonction du four. Si on n'appuie pas sur la touche START (MISE EN MARCHÉ) dans les 10 secondes, un signal sonore se fait entendre et la touche START (MISE EN MARCHÉ) clignote jusqu'à ce qu'on appuie sur celle-ci ou qu'on l'annule. Si, après avoir appuyé sur une touche, on n'appuie pas sur la touche START (MISE EN MARCHÉ) dans les 30 secondes qui suivent, la fonction est annulée et l'heure s'affiche.
<b>CANCEL (ANNULATION)</b>	<b>Fonction de la cuisinière</b>	La touche CANCEL (ANNULATION) désactive toutes les fonctions à l'exception de la minuterie et du verrouillage des commandes du four.
<b>Temp/Time (Température/Durée)</b>	<b>Réglage de la durée et de la température de cuisson</b>	Les touches à flèche « vers le haut » ou « vers le bas » de Temp/Time (Température/Durée) servent à régler la durée et la température.
<b>Bake (Cuisson au four)</b>	<b>Cuisson et rôtissage au four</b>	<ol style="list-style-type: none"> <li>Appuyer sur Bake (Cuisson au four).</li> <li>Appuyer sur la touche à flèche « vers le haut » ou « vers le bas » de Temp/Time (Température/Durée) jusqu'à ce que la température souhaitée soit atteinte. Un signal sonore retentit lorsque la température minimum ou maximum est atteinte.</li> <li>Appuyer sur la touche START (MISE EN MARCHÉ).</li> <li>Pour changer la température, répéter l'étape 2. Appuyer sur la touche START (MISE EN MARCHÉ).</li> <li>Appuyer sur la touche CANCEL (ANNULATION) une fois l'opération terminée.</li> </ol> <p><b>REMARQUE :</b> Le ventilateur s'arrête lorsque la porte est ouverte. Si la porte du four reste ouverte trop longtemps, les éléments chauffants se ferment jusqu'à ce que la porte soit de nouveau fermée. Toutes les minuteries, incluant Cook Time (Minuteries de cuisson) ou Timed Cook (Fonctions de cuisson minutée), continuent leur compte à rebours.</p>

CLAVIER	CARACTÉRIS- TIQUE	INSTRUCTIONS
Broil (Cuisson au gril)	Rôtissage	<ol style="list-style-type: none"> <li>1. Appuyer sur Broil (Cuisson au gril).</li> <li>2. Appuyer sur la touche à flèche « vers le haut » ou « vers le bas » de Temp/Time (Température/Durée) jusqu'à ce que la température souhaitée soit atteinte. Un signal sonore retentit lorsque la température minimum ou maximum est atteinte.</li> <li>3. Appuyer sur la touche START (MISE EN MARCHÉ).</li> <li>4. Préchauffer le four pendant 5 minutes, sauf si recommandé autrement par la recette. Placer les ustensiles de cuisson dans le four et fermer la porte.</li> <li>5. Pour changer la température, répéter l'étape 2 et appuyer sur la touche START (MISE EN MARCHÉ).</li> <li>6. Appuyer sur la touche CANCEL (ANNULATION) une fois l'opération terminée.</li> </ol> <p><b>REMARQUE :</b> Le ventilateur s'arrête lorsque la porte est ouverte. Si la porte du four reste ouverte trop longtemps, les éléments chauffants se ferment jusqu'à ce que la porte soit de nouveau fermée. Toutes les minuteries, incluant Cook Time (Minuteries de cuisson) ou Timed Cook (Fonctions de cuisson minutée), continuent leur compte à rebours.</p>
Self Clean (Autonettoyage)	Programme d'autonettoyage	Consulter la section « Programme d'autonettoyage » du manuel d'utilisation.
Air Fry (Friture à l'air)	Friture à l'air	<ol style="list-style-type: none"> <li>1. Placer les aliments directement dans le four.</li> <li>2. Appuyer sur Air Fry (Friture à l'air).</li> <li>3. Entrer la température de cuisson souhaitée à l'aide des touches numériques. Une tonalité résonnera si la température saisie est trop élevée ou basse.</li> <li>4. Appuyer sur la touche START (MISE EN MARCHÉ). Il n'y a pas de préchauffage ou de tonalité de préchauffage.</li> <li>5. Pour changer la température, répéter l'étape 2. Appuyer sur la touche START (MISE EN MARCHÉ).</li> <li>6. Appuyer sur la touche CANCEL (ANNULATION) une fois l'opération terminée.</li> </ol> <p><b>REMARQUE :</b> Le ventilateur et les éléments s'arrêtent lorsque la porte est ouverte et jusqu'à ce que la porte soit refermée. Toutes les minuteries, incluant Cook Time (Minuteries de cuisson) ou Timed Cook (Fonctions de cuisson minutée), continuent leur compte à rebours.</p>
Air Baking (Cuisson au four à l'air)	Cuisson et rôtissage au four	<ol style="list-style-type: none"> <li>1. Appuyer sur Baking (Cuisson au four).</li> <li>2. Appuyer sur la touche à flèche « vers le haut » ou « vers le bas » de Temp/Time (Température/Durée) jusqu'à ce que la température souhaitée soit atteinte. Un signal sonore retentit lorsque la température minimum ou maximum est atteinte.</li> <li>3. Appuyer sur la touche START (MISE EN MARCHÉ).</li> <li>4. Pour changer la température, répéter l'étape 2. Appuyer sur la touche START (MISE EN MARCHÉ).</li> <li>5. Appuyer sur la touche CANCEL (ANNULATION) une fois l'opération terminée.</li> </ol> <p><b>REMARQUE :</b> Le ventilateur s'arrête lorsque la porte est ouverte. Si la porte du four reste ouverte trop longtemps, les éléments chauffants se ferment jusqu'à ce que la porte soit de nouveau fermée. Toutes les minuteries, incluant Cook Time (Minuteries de cuisson) ou Timed Cook (Fonctions de cuisson minutée), continuent leur compte à rebours.</p>
Timer Set/Off (Minuterie réglage/ Arrêt)	Minuterie du four	<p>La minuterie peut être réglée en heures ou en minutes jusqu'à concurrence de 9 heures et 59 minutes.</p> <ol style="list-style-type: none"> <li>1. Appuyer sur Timer Set/Off (Réglage/Arrêt de la minuterie).</li> <li>2. Appuyer sur la touche à flèche « vers le haut » ou « vers le bas » de Temp/Time (Température/Durée) pour régler la durée.</li> <li>3. Appuyer sur la touche START (MISE EN MARCHÉ) pour commencer le compte à rebours. Si activés, les signaux sonores de fin de programme retentissent à la fin du compte à rebours.</li> <li>4. Appuyer la touche Timer Set/Off (Réglage de la minuterie/Arrêt) pour annuler la minuterie. Ne pas appuyer sur la touche CANCEL (ANNULATION), sinon le four s'éteindra.</li> </ol>
Light (Éclairage)	Éclairage de la cavité du four	Alors que la porte du four est fermée, appuyer sur la touche d'éclairage pour allumer ou éteindre la lampe. La lampe du four s'allume à l'ouverture de la porte. La lampe du four ne s'allume pas durant le programme Self-Cleaning (Autonettoyage).
Cook Time (Durée de cuisson)	Cuisson minutée	<p>La fonction Cook Time (Durée de cuisson) permet d'allumer le four à une certaine heure de la journée, d'effectuer une cuisson pendant une durée déterminée et/ou d'éteindre le four automatiquement.</p> <p>Pour régler Timed Cook (Cuisson minutée) ou Delayed Timed Cook (Cuisson minutée différée), voir la section « Durée de cuisson ».</p>

CLAVIER	CARACTÉRIS- TIQUE	INSTRUCTIONS
<b>Delay Start (Mise en marche différée)</b>	<b>Mise en marche différée</b>	La touche de Delay Start (Mise en marche différée) sert à entrer l'heure de début pour un four équipé de mise en marche différée. La mise en marche différée ne doit pas être utilisée pour les aliments tels que pains et gâteaux, car ils risquent de ne pas bien cuire. Pour régler Timed Cook (Cuisson minutée) ou Delayed Timed Cook (Cuisson minutée différée), voir la section « Durée de cuisson ».
<b>Clock (Horloge)</b>	<b>Horloge</b>	L'horloge utilise un programme de 12 heures. 1. Vérifier que le four est éteint. 2. Appuyer sur Clock (Horloge). 3. Appuyer sur les touches à flèche « vers le haut » ou « vers le bas » de Temp/Time (Température/Durée) pour régler l'heure. Appuyer sur la touche Clock (Horloge) pour passer aux minutes. Appuyer sur les touches à flèche « vers le haut » ou « vers le bas » de Temp/Time (Température/Durée) pour régler les minutes. 4. Appuyer sur la touche Clock (horloge) ou START (MISE EN MARCHÉ).
<b>Control Lock Hold 3 Sec (Verrouillage des commandes – Appuyer [pendant 3 s])</b>	<b>Verrouillage des commandes du four</b>	1. Vérifier que le four et la table de cuisson sont éteints. 2. Appuyer sur la touche Control Lock (Verrouillage des commandes) pendant 3 secondes. 3. Un signal sonore retentit et un verrou s'affiche. 4. Répéter ces étapes pour déverrouiller. Aucune touche ne fonctionne lorsque les commandes sont verrouillées.

## Température de la surface

Lorsque la cuisinière est en marche, toutes ses surfaces peuvent chauffer, y compris les boutons de commande et la porte du four.

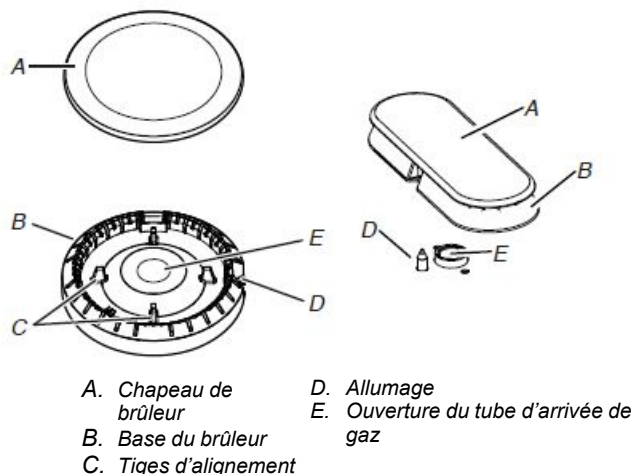
### Tiroir de remisage

Lorsque le four est en marche, le tiroir peut chauffer. Ne pas placer d'objets en plastique, en tissu ou susceptibles de fondre ou de brûler dans le tiroir.

### Évent du four

L'évent du four permet l'évacuation de l'air chaud et de l'humidité du four. Il ne doit pas être obstrué ou couvert. Ne pas placer près de l'évent du four des objets en plastique, en papier ou susceptibles de fondre ou de brûler.

## Brûleur de surface



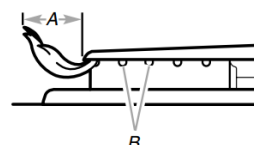
**REMARQUE :** La base du brûleur ovale est fixée en permanence au chapeau du brûleur.

**IMPORTANT :** Ne pas entraver l'évacuation de l'air de combustion et de ventilation autour des bords des grilles de brûleur.

**Chapeau de brûleur :** Toujours garder le chapeau de brûleur en place lorsqu'un brûleur de surface est utilisé. Un chapeau de brûleur propre aide à empêcher le mauvais allumage et les flammes irrégulières. Toujours nettoyer le chapeau du brûleur après un renversement; enlever et nettoyer régulièrement les chapeaux comme indiqué à la section « Nettoyage général ».

**Alignement :** S'assurer d'aligner l'ouverture du tube d'arrivée de gaz de la base du brûleur avec le porte-injecteur situé sur la table de cuisson et d'aligner également l'électrode d'allumage avec l'encoche de la base du brûleur.

**Ouverture du tube d'arrivée de gaz :** Pour que le brûleur s'allume convenablement, il faut que le gaz puisse passer librement à travers l'orifice. Garder cette zone propre et ne pas laisser les éclaboussures, les aliments, les nettoyants ou tout autre matériau entrer dans l'ouverture d'arrivée du tube de gaz. Toujours utiliser un chapeau de brûleur pour protéger l'ouverture de gaz contre tout renversement.



A. 1 à 1 1/2 po (2,5 à 3,8 cm) B. Orifices de brûleur

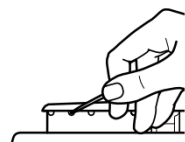
**Orifices de brûleur :** Examiner occasionnellement les flammes des brûleurs pour en vérifier la taille et la forme comme indiqué dans l'illustration précédente. Une bonne flamme est bleue plutôt que jaune. Garder cette zone exempte de souillures et ne pas laisser les produits renversés, les aliments, les agents de nettoyage ou d'autres produits pénétrer dans les orifices de brûleur.

### Nettoyage :

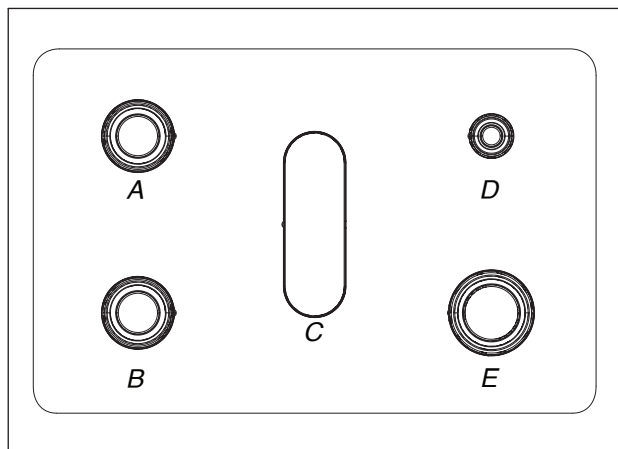
**IMPORTANT :** Avant le nettoyage, s'assurer que toutes les commandes sont éteintes et que la table de cuisson est refroidie. Ne pas utiliser de nettoyants à four, d'agent de blanchiment ou de décapants à rouille.

1. Enlever le chapeau de brûleur et base du brûleur et nettoyer comme indiqué à la section « Nettoyage général » dans le manuel d'utilisation.
2. Nettoyer l'ouverture du tube d'arrivée de gaz avec un chiffon humide.

- Nettoyer les orifices de brûleur obstrués avec une épingle droite comme indiqué. Ne pas agrandir ni déformer l'orifice. Ne pas utiliser un cure-dents en bois. Si le brûleur a besoin d'être ajusté, contacter un technicien de réparation qualifié.

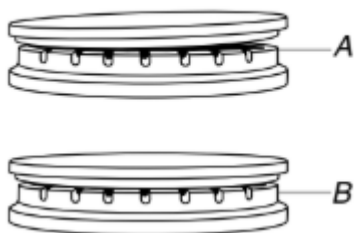


- Réinstaller la base du brûleur. Chaque base de brûleur rond est marquée d'une lettre indiquant la taille du brûleur. Voir l'illustration suivante pour connaître la position des brûleurs.



- A. Grand (rapide)    D. Petit (auxiliaire)  
 B. Grand (rapide)    E. Grand (ultra rapide)  
 C. Ovale (OV)

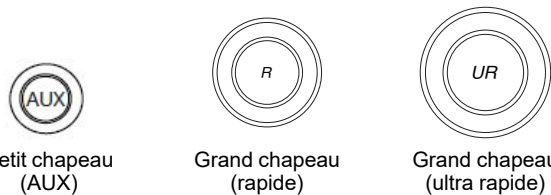
- Réinstaller le chapeau du brûleur et s'assurer que les tiges d'alignement sont bien alignées avec le chapeau du brûleur.



- A. Incorrect  
 B. Correct

- Placer les chapeaux de brûleur sur les bases de brûleurs appropriées.

**IMPORTANT :** La partie inférieure des petits chapeaux et des chapeaux moyens est différente. Ne pas poser un chapeau de la mauvaise taille sur la base du brûleur.



Petit chapeau (AUX)

Grand chapeau (rapide)

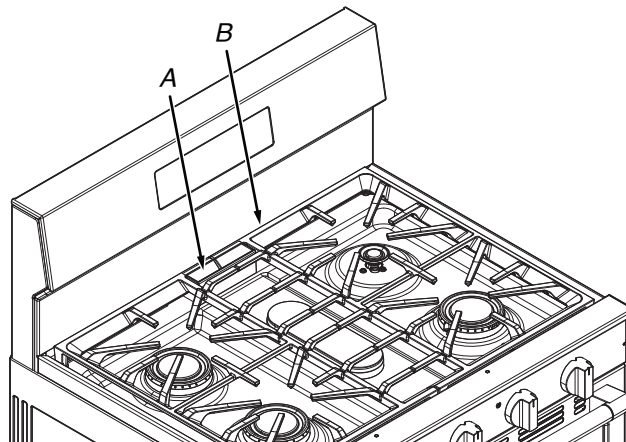
Grand chapeau (ultra rapide)

- Allumer le brûleur. Si le brûleur ne s'allume pas, vérifier l'alignement du chapeau. Si le brûleur ne s'allume toujours pas, ne pas réparer vous-même le brûleur scellé. Contacter un technicien de réparation qualifié.

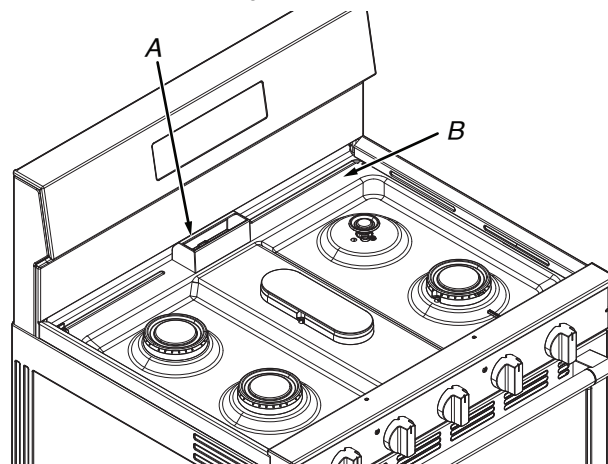
## Grilles

Les grilles doivent être correctement positionnées avant la cuisson. Les grilles doivent être en affleurement et de niveau pour être en bonne position. Une mauvaise installation des grilles peut écailler ou rayer la table de cuisson.

Pour assurer un positionnement correct, aligner la grille sur la fente gauche avec le couvercle de l'évent central du four sur la table de cuisson. Répéter avec la grille de droite. S'assurer que les grilles se trouvent entre les éléments de positionnement de la table de cuisson, d'avant en arrière.



- A. Couvercle de l'évent central du four  
 B. Fentes sur la grille



- A. Couvercle de l'évent central du four  
 B. Éléments de positionnement

Bien que les grilles de brûleurs soient durables, elles perdront progressivement de leur lustre et se décoloreront en raison des fortes températures produites par les flammes.

## Ustensiles de cuisson

**IMPORTANT :** Ne pas laisser d'ustensile de cuisson vide sur une surface de cuisson, un élément ou un brûleur de surface chaud.

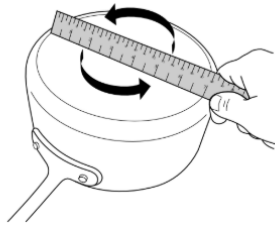
Les ustensiles de cuisson idéals doivent avoir un fond plat, des parois droites, un couvercle qui ferme hermétiquement et le matériau doit être d'épaisseur moyenne à forte.

Les finis rugueux peuvent érafler la table de cuisson ou les grilles/serpentins. L'aluminium et le cuivre peuvent être utilisés comme fond ou base d'un ustensile de cuisson. Toutefois, lorsqu'ils sont utilisés comme base, ils peuvent laisser des marques permanentes sur la surface de cuisson.

Le matériau d'un ustensile a une influence sur la rapidité et l'uniformité de la transmission de la chaleur, lesquelles contribuent aux résultats de cuisson. Un fini antiadhésif a les mêmes caractéristiques que son matériau de base. Par exemple, un ustensile de cuisson en aluminium avec un fini antiadhésif aura les propriétés de l'aluminium.

Les ustensiles de cuisson avec surface antiadhésive ne doivent pas être utilisés sous le gril.

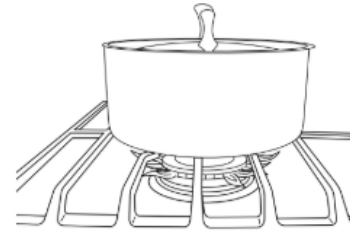
Vérifier que le récipient est plat en plaçant le bord plat d'une règle en travers du fond du récipient. Lorsqu'on fait tourner la règle, aucun espace ou jour ne doit être visible entre celle-ci et l'ustensile.



Utiliser le tableau suivant comme guide pour les caractéristiques du matériau d'ustensile de cuisson.

Ustensiles de cuisson	Caractéristiques
<b>Aluminium</b>	<ul style="list-style-type: none"> <li>■ Chauffe rapidement et uniformément.</li> <li>■ Convient à tous les genres de cuisson.</li> <li>■ L'épaisseur moyenne ou forte convient le mieux pour la plupart des tâches de cuisson.</li> </ul>
<b>Fonte</b>	<ul style="list-style-type: none"> <li>■ Chauffe lentement et uniformément.</li> <li>■ Convient pour le brunissage et la friture.</li> <li>■ Maintient la chaleur pour une cuisson lente.</li> </ul>
<b>Céramique ou vitrocéramique</b>	<ul style="list-style-type: none"> <li>■ Suivre les instructions du fabricant.</li> <li>■ Chauffe lentement, mais inégalement.</li> <li>■ Les meilleurs résultats sont obtenus sur les réglages de chaleur basse à moyenne.</li> </ul>
<b>Cuivre</b>	<ul style="list-style-type: none"> <li>■ Chauffe très rapidement et uniformément.</li> <li>■ Peut laisser des résidus de cuivre. Pour en réduire la quantité, les nettoyer immédiatement après la cuisson.</li> </ul>
<b>Terre cuite/grès</b>	<ul style="list-style-type: none"> <li>■ Suivre les instructions du fabricant.</li> <li>■ Utiliser des réglages de température basse.</li> </ul>
<b>Acier émaillé en porcelaine ou fonte émaillée</b>	<ul style="list-style-type: none"> <li>■ Voir les points acier inoxydable ou fonte.</li> </ul>
<b>Acier inoxydable</b>	<ul style="list-style-type: none"> <li>■ Chauffe rapidement, mais inégalement.</li> <li>■ Un fond ou une base d'aluminium ou de cuivre sur l'acier inoxydable procure un chauffage uniforme.</li> </ul>

Pour obtenir les meilleurs résultats, les ustensiles de cuisson doivent être centrés au-dessus du brûleur tout en étant posés à l'horizontale au fond sur la grille. La flamme doit être réglée de sorte qu'elle ne s'étende pas sur les côtés du plat.



## Mise en conserve à la maison

Lors de la préparation de conserves pendant de longues périodes, alterner l'utilisation des brûleurs de surface de cuisson entre chaque quantité préparée. Ceci permet aux dernières surfaces utilisées de refroidir.

- Centrer l'autoclave sur la grille située au-dessus du brûleur.
- Ne pas placer l'autoclave sur 2 brûleurs de surface en même temps.
- Pour plus de renseignements, contacter votre bureau de développement agricole local, ou consulter les guides publiés sur la mise en conserve domestique. Les compagnies qui fabriquent des produits pour la préparation de conserves peuvent aussi offrir de l'aide.

## Utilisation au four

Durant le fonctionnement normal de la cuisinière, plusieurs bruits se font entendre chaque fois que les brûleurs de cuisson au four ou de cuisson au gril s'allument au cours du programme de cuisson :

- Les robinets de gaz peuvent produire un bruit « d'éclatement » lorsqu'ils sont ouverts ou fermés.
- Les allumeurs émettront plusieurs « déclics » jusqu'à ce qu'une flamme soit détectée.
- Un bruit « d'affaissement » peut se faire entendre lorsque le brûleur de cuisson au four ou de cuisson au gril s'allume.

Des odeurs et de la fumée sont normales lorsque le four est utilisé les premières fois et lorsqu'il est très sale.

**IMPORTANT :** La santé de certains oiseaux est très sensible aux émanations de fumée. L'exposition aux émanations peut entraîner la mort de certains oiseaux. Toujours déplacer les oiseaux dans une autre pièce fermée et bien aérée.

**REMARQUE :** Sur certains modèles : Le ventilateur s'arrête lorsque la porte est ouverte. Si la porte du four reste ouverte trop longtemps, les éléments chauffants se ferment jusqu'à ce que la porte soit de nouveau fermée. Toutes les minuteries, incluant Cook Time (Minuteries de cuisson) ou Timed Cook (Fonctions de cuisson minutée), continuent leur compte à rebours.

## Commandes électroniques du four

### Affichage des commandes

L'affichage clignote à la mise sous tension ou après une coupure de courant. Appuyer sur la touche CANCEL (ANNULATION) pour annuler. Lorsque le four n'est pas utilisé, l'heure s'affiche.

## Fahrenheit et Celsius

La température est pré-réglée pour un affichage en degrés Fahrenheit, mais on peut l'afficher en degrés Celsius.

**Pour modifier :** Appuyer sur la touche « vers le haut » de Temp/Time (Température/Durée) pendant 5 secondes. « °C » ou « °F » apparaît sur l'afficheur. Répéter l'opération pour permuter à nouveau.

Pour sortir du mode, appuyer sur la touche CANCEL (ANNULATION).

## Sons des touches

Active ou désactive les signaux sonores lorsqu'on appuie sur une touche.

**Pour modifier :** Appuyer sur la touche Light (Éclairage) pendant 5 secondes. Répéter l'opération pour permuter à nouveau.

Pour sortir du mode, appuyer sur la touche CANCEL (ANNULATION).

## Mode de démonstration

**IMPORTANT :** Destinée au personnel en magasin, cette fonction permet, avec un raccordement au secteur à 120 V, de présenter les fonctions des commandes sans pour autant activer le four. Si cette fonction est activée, le four ne fonctionnera pas.

**Pour modifier :** Appuyer sur la touche CANCEL (ANNULATION) deux fois, puis sur la flèche « vers le haut » de Temp/Time (Température/Durée) et sur Timer Set/Off (Réglage/Arrêt de la minuterie). Répéter l'opération pour permuter à nouveau et mettre fin au mode Demo (Démo).

## Commande de décalage de température du four

**IMPORTANT :** Ne pas utiliser de thermomètre pour mesurer la température du four. Les éléments chauffants s'allument et s'éteignent en alternance pour maintenir une température constante, mais leur température peut varier légèrement dans un sens ou dans l'autre du fait de cette alternance. De nombreux thermomètres réagissent lentement à un changement de température, et ne donneront pas une mesure exacte du fait de cette alternance.

Le four fournit des températures précises; toutefois, il peut cuire plus rapidement ou plus lentement que votre ancien four, c'est pourquoi la température peut être réglée à vos besoins de cuisson. Elle peut être modifiée en degrés Fahrenheit ou Celsius.

### Réglage de la température du four :

1. Appuyer sur la flèche « vers le bas » de Temp/Time (Température/Durée) pendant 5 secondes jusqu'à ce que l'afficheur du four indique le calibrage actuel, par exemple « 0 °F CAL » ou « 00 ».
2. Appuyer sur les touches à flèche « vers le haut » ou « vers le bas » de Temp/Time (Température/Durée) pour augmenter ou diminuer la température par tranches de 5 °F (3 °C). La température peut être réglée entre 30 °F (18 °C) et -30 °F (-18 °C).
3. Appuyer sur la touche START (MISE EN MARCHÉ).

## Sabbath Mode (Mode Sabbat)

Pour obtenir de l'aide concernant l'utilisation de ce produit, ainsi qu'une liste des modèles munis du mode Sabbath (Sabbat), consulter le [www.star-k.org](http://www.star-k.org).

Le mode Sabbath (Sabbat) permet au four de continuer à fonctionner sur un réglage de cuisson au four jusqu'à ce qu'on l'éteigne. Une cuisson au four minutée peut également être programmée pour garder le four allumé seulement pendant une partie du mode Sabbath (Sabbat). Le verrouillage des commandes du four est désactivé pendant le mode Sabbath (Sabbat). Une fois le mode Sabbath (Sabbat) réglé, aucun signal sonore ne retentit, l'affichage n'indique pas la température, le mode minuterie est annulé (si activé) et seules les touches suivantes fonctionnent :

- Flèches « vers le haut et vers le bas » de Temp/Time (Température/Durée)
- CANCEL (ANNULATION)

Lorsque la porte du four est ouverte ou fermée, la lampe du four ne s'allume ou ne s'éteint pas et les éléments de chauffage ne s'allument ou ne s'éteignent pas immédiatement.

Lorsque le courant est rétabli après une panne de courant, le four retourne au mode Sabbath (Sabbat) et conserve les modalités du mode Sabbath (Sabbat) avec les éléments de cuisson au four désactivés jusqu'à ce qu'on appuie sur la touche Cancel (annulation).

Si on appuie sur la touche CANCEL (ANNULATION) à tout moment, le four revient au mode de cuisson normal (pas en mode Sabbath [Sabbat]).

Avant d'entrer au mode Sabbath (Sabbat), l'utilisateur doit décider s'il souhaite que la lampe du four soit allumée ou éteinte pendant toute la période du mode Sabbath (Sabbat). Si la lampe est allumée au moment où le four entre au mode Sabbath (Sabbat), elle restera allumée durant toute la période d'utilisation du mode Sabbath (Sabbat). Si la lampe est éteinte au moment où le four entre au mode Sabbath (Sabbat), elle restera éteinte durant toute la période d'utilisation du mode Sabbath (Sabbat). Le fait d'ouvrir la porte du four ou d'appuyer sur la touche Light (Éclairage) n'affecte pas le statut de la lampe du four une fois que le four est entré au mode Sabbath (Sabbat).

Au mode de vacances, la température peut être modifiée une fois que le four est au mode Sabbath (Sabbat) en appuyant sur la touche à flèche « vers le haut » ou « vers le bas » de Temp/Time (Température/Durée). La température du four change de 25 °F (14 °C) à chaque pression de touche à flèche « vers le haut » et « vers le bas » de Temp/Time (Température/Durée). Appuyer sur la touche START (MISE EN MARCHÉ) pour activer la nouvelle température. L'affichage ne change pas et aucun signal sonore ne retentit durant ce réglage.

### Pour activer le mode Sabbath (Sabbat) et l'utiliser pour la cuisson :

1. Appuyer sur Bake (Cuisson au four).
2. Appuyer sur les touches à flèche « vers le haut » ou « vers le bas » de Temp/Time (Température/Durée).
3. Appuyer sur la touche START (MISE EN MARCHÉ).
4. Appuyer sur Timer Set/Off (Réglage/Arrêt de la minuterie) pendant 5 secondes. « SAB » clignote sur l'affichage.
5. Appuyer sur la touche START (MISE EN MARCHÉ) tandis que « SAB » clignote pour permettre d'entrer en mode Sabbath (Sabbat), sans quoi le programme tout entier est annulé. « SAB » cesse de clignoter et reste affiché. Le four est à présent au mode Sabbath (Sabbat) et respecte les modalités du mode Sabbath (Sabbat).

Si on appuie sur la touche CANCEL (ANNULATION) à tout moment, le four revient au mode de cuisson normal (pas en mode Sabbath [Sabbat]).



**REMARQUE :** Sur certains modèles : Si « Sab » ne s'affiche pas à l'écran, le mode Sabbath (Sabbat) n'est pas activé. Pour activer de nouveau le mode Sabbath (Sabbat) après l'avoir désactivé, suivre les étapes 1 à 5.

**Pour régler une cuisson au four minutée avec le mode Sabbath (Sabbat) (sur certains modèles) :**

1. Appuyer sur Bake (Cuisson au four).
2. Appuyer sur les touches à flèche « vers le haut » ou « vers le bas » de Temp/Time (Température/Durée) pour entrer une température autre que celle qui est affichée.
3. Appuyer sur Cook Time (Durée de cuisson). Le témoin lumineux de Cook Time (Durée de cuisson) du four s'allume.
4. Appuyer sur la touche à flèche « vers le haut » ou « vers le bas » de Temp/Time (Température/Durée) pour entrer une durée de cuisson.
5. Appuyer sur la touche START (MISE EN MARCHÉ).
6. Appuyer sur Timer Set/Off (Réglage/Arrêt de la minuterie) pendant 5 secondes. « SAB » clignote sur l'affichage.
7. Appuyer sur la touche START (MISE EN MARCHÉ) tandis que « SAB » clignote pour permettre d'entrer en mode Sabbath (Sabbat), sans quoi le programme tout entier est annulé. « SAB » cesse de clignoter et reste affiché. Le four est à présent au mode Sabbath (Sabbat) et respecte les modalités du mode Sabbath (Sabbat). Les témoins lumineux de Bake (Cuisson au four), On (Marche) et Cook Time (Durée de cuisson) s'affichent.

À la fin du temps de cuisson minuté, le four s'arrête automatiquement et les témoins lumineux s'éteignent indiquant la fin de la cuisson.

Si on appuie sur la touche CANCEL (ANNULATION) à tout moment, le four revient au mode de cuisson normal (pas en mode Sabbath [Sabbat]).

**REMARQUE :** Si « Sab » ne s'affiche pas à l'écran, le mode Sabbath (Sabbat) n'est pas activé. Pour activer de nouveau le mode Sabbath (Sabbat) après l'avoir désactivé, suivre les étapes 1 à 5.

**Pour régler une cuisson au four minutée différée avec le mode Sabbath (Sabbat) (sur certains modèles) :**

1. Appuyer sur Bake (Cuisson au four).
2. Appuyer sur les touches à flèche « vers le haut » ou « vers le bas » de Temp/Time (Température/Durée) pour entrer une température autre que celle qui est affichée.
3. Appuyer sur Cook Time (Durée de cuisson). Le témoin lumineux de Cook Time (Durée de cuisson) du four s'allume.
4. Appuyer sur la touche à flèche « vers le haut » ou « vers le bas » de Temp/Time (Température/Durée) pour entrer une durée de cuisson.
5. Appuyer sur Delay Start (Mise en marche différée). Le témoin de Delay (Mise en marche) différée s'allume.
6. Appuyer sur la touche à flèche « vers le haut » ou « vers le bas » de Temp/Time (Température/Durée) pour entrer l'heure de départ.
7. Appuyer sur la touche START (MISE EN MARCHÉ).
8. Appuyer sur Timer Set/Off (Réglage/Arrêt de la minuterie) pendant 5 secondes. « SAB » clignote sur l'affichage.
9. Appuyer sur la touche START (MISE EN MARCHÉ) tandis que « SAB » clignote pour permettre d'entrer en mode Sabbath (Sabbat), sans quoi le programme tout entier est annulé. « SAB » cesse de clignoter et reste affiché. Le four est à présent au mode Sabbath (Sabbat) et respecte les modalités du mode Sabbath (Sabbat). Les témoins lumineux de On (Marche) et Delay (Mise en marche différée) s'affichent.

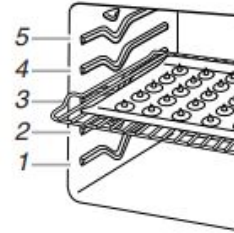
Lorsque l'heure de mise en marche est atteinte, les témoins lumineux de Bake (Cuisson au four), On (Marche) et Cook Time (Durée de cuisson) s'allument automatiquement. À la fin du temps de cuisson minuté, le four s'arrête automatiquement et les témoins lumineux s'éteignent indiquant la fin de la cuisson.

Si on appuie sur la touche CANCEL (ANNULATION) à tout moment, le four revient au mode de cuisson normal (pas en mode Sabbath [Sabbat]).

**REMARQUE :** Sur certains modèles : Si « Sab » ne s'affiche pas à l'écran, le mode Sabbath (Sabbat) n'est pas activé. Pour activer de nouveau le mode Sabbath (Sabbat) après l'avoir désactivé, suivre les étapes 1 à 5.

## Positionnement des grilles et des ustensiles de cuisson au four

Utiliser l'illustration suivante comme guide.



### Positions de grille

Grille 5 : Faire griller du pain ou des aliments peu épais et sans matières grasses

Grille 4 : Panier à friture à l'air, cuisson au four et cuisson au grill sur deux grilles

Grille 3 : La plupart des aliments cuits au four sur une tôle à biscuits, un moule à muffins ou une tôle à roulés; les gâteaux à étages; ainsi que le rôtissage de morceaux de poulet

Grille 2 : Tartes, mets en sauce, pain à levure, pains éclairs, plats surgelés et cuisson sur deux grilles

Grille 1 : Pour le rôtissage de grands et petits morceaux de viande et de volaille

### Ustensiles de cuisson au four

L'air chaud doit pouvoir circuler autour de l'aliment pour le cuire uniformément. Laisser 2 po (5 cm) entre les ustensiles de cuisson et les parois du four. S'assurer qu'aucun ustensile de cuisson ne se trouve directement au-dessus d'un autre.

### Cuisson sur plusieurs grilles

Deux grilles : Utiliser les positions de grille 2 et 4.



## Panier à friture à l'air

Un des éléments qui rend la friture à l'air si efficace pour rendre les aliments croustillants est le panier perforé conçu pour la friture à l'air. Le panier à friture à l'air permet à l'air chaud de bien circuler sur toute la surface des aliments. Lorsque la fonction Air Fry (Friture à l'air) est utilisée, placer le panier de friture à l'air sur une grande plaque à pâtisserie pour ramasser les miettes, l'huile et réduire la production de fumée. Placer le panier et la plaque sur la grille 4 du four. Consulter les sections Positionnement des grilles et des ustensiles de cuisson au four du guide des commandes ou du guide du produit pour obtenir plus de détails. Éviter d'utiliser plus d'un panier pour éviter la cuisson irrégulière.

## Baking and Roasting (Cuisson au four et rôtissage)

### Préchauffage

Au début d'un programme de Bake (Cuisson au four), le four commence par un préchauffage une fois que la touche Start (Mise en marche) est enfoncée. Le four prend environ 12 à 15 minutes pour atteindre 350 °F (177 °C) lorsque toutes les grilles fournies avec le four sont à l'intérieur du four. Pour atteindre une température plus élevée, le préchauffage est plus long. Le programme de préchauffage augmente rapidement la température du four. La température réelle du four dépasse alors la température programmée, pour compenser la chaleur perdue à l'ouverture du four pour y introduire le plat à cuire. Ainsi, le four entame la cuisson à la température correcte après y avoir placé le plat. Placer les aliments au four lorsque le signal sonore de préchauffage retentit. Ne pas ouvrir la porte du four pendant le préchauffage tant que le signal sonore n'a pas retenti.

### Température du four

En cours d'utilisation, les éléments chauffants du four s'allument et s'éteignent en alternance pour maintenir une température constante, mais leur température peut varier légèrement dans un sens ou dans l'autre du fait de cette alternance. L'ouverture de la porte du four en cours d'utilisation laisse échapper l'air chaud et refroidit le four, ce qui peut modifier la durée nécessaire et le résultat de la cuisson. Pour suivre l'avancement de la cuisson, il est conseillé d'utiliser l'éclairage du four.

### Système de gestion de la température

Le système de gestion de la température contrôle électroniquement les niveaux de température du four durant le préchauffage et la cuisson afin de maintenir une gamme précise de températures pour des résultats de cuisson optimaux. Les éléments de cuisson au four et au gril ou les brûleurs s'allument et s'éteignent en alternance. Sur certains modèles, le ventilateur fonctionne pendant le préchauffage et peut s'allumer et s'éteindre pendant de courts intervalles dans le mode Bake (Cuisson au four) afin de produire un meilleur résultat. Ce comportement est automatique lorsque le four est utilisé.

Avant la cuisson au four et le rôtissage, placer les grilles comme indiqué à la section « Positionnement des grilles et des ustensiles de cuisson au four ». Lors du rôtissage, il n'est pas nécessaire d'attendre la fin du programme de préchauffage du four avant de placer les aliments, sauf si la recette le recommande.

## Broiling (Rôtissage)

**REMARQUE** : Le ventilateur s'arrête lorsque la porte est ouverte. Si la porte du four reste ouverte trop longtemps, les éléments chauffants se ferment jusqu'à ce que la porte soit de nouveau fermée. Toutes les minuteries, incluant Cook Time (Minuteries de cuisson) ou Timed Cook (Fonctions de cuisson minutée), continuent leur compte à rebours.

Pour la cuisson au gril, préchauffer le four pendant 5 minutes avant d'y placer des aliments, à moins que la recette ne recommande autre chose. Placer l'aliment sur la grille de la lèchefrite, puis placer celle-ci au centre de la grille du four.

**IMPORTANT** : Fermer la porte pour une température de cuisson au gril adéquate.

Le changement de température lors de la cuisson au gril permet un contrôle plus précis de la cuisson. Plus le réglage du gril est bas, plus la cuisson est lente. Les morceaux épais et de forme irrégulière de viande, de poisson et de volaille cuisent mieux à des réglages de gril plus bas. Utiliser les grilles 4 ou 5 pour la cuisson au gril. Consulter la section « Positionnement des grilles et ustensiles de cuisson » pour plus d'informations.

À des réglages inférieurs, l'élément de cuisson au gril s'allume et s'éteint par intermittence afin de maintenir une température adéquate.

- Pour de meilleurs résultats, utiliser une lèchefrite et une grille. La grille est conçue pour laisser s'écouler les jus et aider à éviter les éclaboussures et la fumée.

Il est possible de commander une lèchefrite. Consulter le Guide de démarrage rapide pour obtenir les coordonnées.

**REMARQUE** : Des odeurs et de la fumée sont normales lorsque le four est utilisé les premières fois, ou lorsqu'il est très sale.

## Air Frying (Friture à l'air)

Pendant l'utilisation de la friture à l'air, les éléments de chauffage et le ventilateur s'allument et s'éteignent par intermittence pour maintenir la température du four tandis que le ventilateur fait circuler l'air chaud. Fermer la porte du four pour une température de cuisson adéquate.

**IMPORTANT** : La durée de cuisson, les températures et les instructions générales peuvent varier selon la recette.

La friture à l'air dans un grand four permet de simultanément frire à l'air une grande quantité d'aliments, mais il faut s'attendre à une plus longue durée de cuisson.

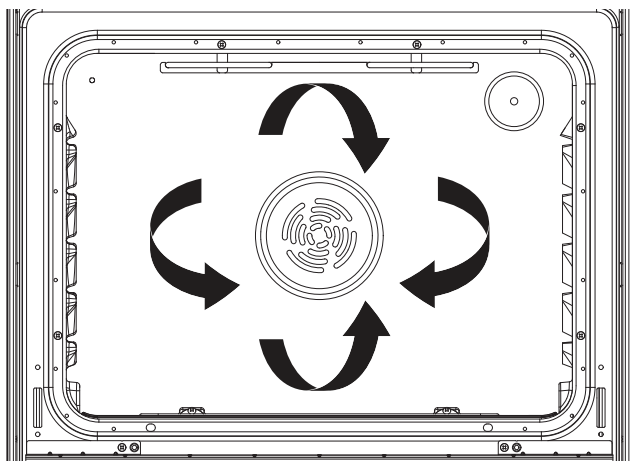
- Lors de l'utilisation de la friture à l'air, les aliments doivent être disposés en une seule couche et espacés uniformément.
- Consulter les instructions sur l'emballage des aliments pour connaître la durée et la température de cuisson par friture à l'air dans un four conventionnel.
- Pour des recettes avec des aliments frais dont la durée de cuisson dépasse 30 minutes, un préchauffage de 5 à 10 minutes est recommandé.
- Pour les aliments surgelés, avec os ou épais dont la durée de cuisson est inférieure à 15 minutes, une durée supplémentaire pourrait être nécessaire.
- Il n'est pas recommandé de faire frire une pâte mouillée avec la friture à l'air.
- Pour obtenir les meilleurs résultats, mélanger ou tourner les aliments à la moitié de la durée de cuisson. S'assurer de fermer la porte du four après avoir enlevé et inséré les aliments dans le four.
- Vaporiser le panier à friture à l'air d'huile pour éviter que les aliments y collent.

**REMARQUE** : Les aliments gras peuvent produire de la fumée pendant le programme de friture à l'air. L'utilisation adéquate du panier à friture à l'air et de la plaque à pâtisserie aidera à réduire la quantité de fumée produite. Maintenir le four et la plaque à pâtisserie propre aidera aussi à réduire la quantité de fumée.

## Air Cooking (Cuisson à l'air)

Durant les programmes de Air Cooking (Cuisson à l'air), les brûleurs de cuisson s'allument et s'éteignent par intermittence tandis que le ventilateur fait circuler l'air chaud. Ce déplacement de l'air chaud aide à maintenir une température constante dans tout le four, ce qui permet de cuire les aliments plus uniformément, de faire croustiller la surface des aliments tout en conservant leur humidité naturelle et de donner des pains plus croustillants.

**IMPORTANT :** La cuisson à l'air permet de cuire la majorité des aliments à une température plus basse ou moins longtemps. Cette cuisinière réduit automatiquement les températures réglées du four de 25 °F (15 °C) pour la cuisson à l'air.



Durant la cuisson à l'air, les éléments de cuisson au four et de rôtissage s'allument et s'éteignent par intermittence pour maintenir la température du four tandis que le ventilateur fait circuler l'air chaud.

**REMARQUE :** Le ventilateur s'allumera environ 5 minutes pendant chaque programme de cuisson à l'air.

Si la porte du four est ouverte durant la cuisson, le ventilateur s'éteint immédiatement. Il s'allume à nouveau lorsque la porte du four est fermée.

**REMARQUE :** La porte du four doit être fermée pour la cuisson au gril.

### Options

**Air Bake (Cuisson au four à l'air) :** Cuisson au four sur plusieurs grilles de biscuits, pains, plats en sauce, tartes, tourtes et gâteaux.

**Air Roast (Rôtissage à l'air) :** Poulets ou dindes entiers, légumes, rôtis de porc, rôtis de bœuf.

**Air Broil (Cuisson au gril à l'air) :** Morceaux plus épais ou inégaux de viande, de poisson ou de volaille.

## Cook Time (Durée de cuisson)

### Réglage d'une cuisson minutée :

1. Appuyer sur Bake (Cuisson au four). Le témoin de Bake (Cuisson au four) s'allume.
2. Appuyer sur les touches à flèche « vers le haut » ou « vers le bas » de Temp/Time (Température/Durée) pour entrer une température autre que celle qui est affichée.
3. Appuyer sur Cook Time (Durée de cuisson). Le témoin lumineux de Cook Time (Durée de cuisson) du four s'allume.
4. Appuyer sur la touche à flèche « vers le haut » ou « vers le bas » de Temp/Time (Température/Durée) pour entrer la durée de cuisson.
5. Appuyer sur la touche START (MISE EN MARCHÉ). L'affichage présente le compte à rebours de la durée. Lorsque la durée est écoulée, le four s'éteint automatiquement.

6. Appuyer sur la touche CANCEL (ANNULATION) pour effacer l'affichage.

### Réglage d'une cuisson minutée différée :

Avant le réglage, s'assurer que l'horloge est réglée à l'heure exacte. Voir la fonction de la touche « Clock » (Horloge) à la section « Guide des caractéristiques ».

1. Appuyer sur Bake (Cuisson au four).
2. Appuyer sur les touches à flèche « vers le haut » ou « vers le bas » de Temp/Time (Température/Durée) pour entrer une température autre que celle qui est affichée.
3. Appuyer sur Cook Time (Durée de cuisson). Le témoin lumineux de la durée de cuisson du four s'allume.
4. Appuyer sur la touche à flèche « vers le haut » ou « vers le bas » de Temp/Time (Température/Durée) pour entrer la durée de cuisson.
5. Appuyer sur Delay Start (Mise en marche différée). Le témoin lumineux de Delay Oven (Mise en marche différée) du four s'allume.
6. Appuyer sur la touche à flèche « vers le haut » ou « vers le bas » de Temp/Time (Température/Durée) pour entrer l'heure de mise en marche.
7. Appuyer sur la touche START (MISE EN MARCHÉ).

Lorsque l'heure de mise en marche est atteinte, le four s'allume automatiquement. Il est possible de modifier les réglages de température et/ou de temps de cuisson à tout moment après avoir mis en marche le four en répétant les étapes 2 à 4 et en appuyant sur la touche START (MISE EN MARCHÉ). Pour modifier la durée différée, annuler les fonctions et répéter les étapes 1 à 7. Lorsque la durée de cuisson réglée est terminée, le four se ferme automatiquement.

8. Appuyer sur la touche CANCEL (ANNULATION) pour effacer l'affichage.

# Guía de controles de la estufa autónoma a gas

## GUÍA DE FUNCIONES

**ADVERTENCIA:** A fin de reducir el riesgo de incendio, choque eléctrico o lesiones personales, lea las INSTRUCCIONES IMPORTANTES DE SEGURIDAD que se encuentran en el Manual del propietario, antes de usar el electrodoméstico.

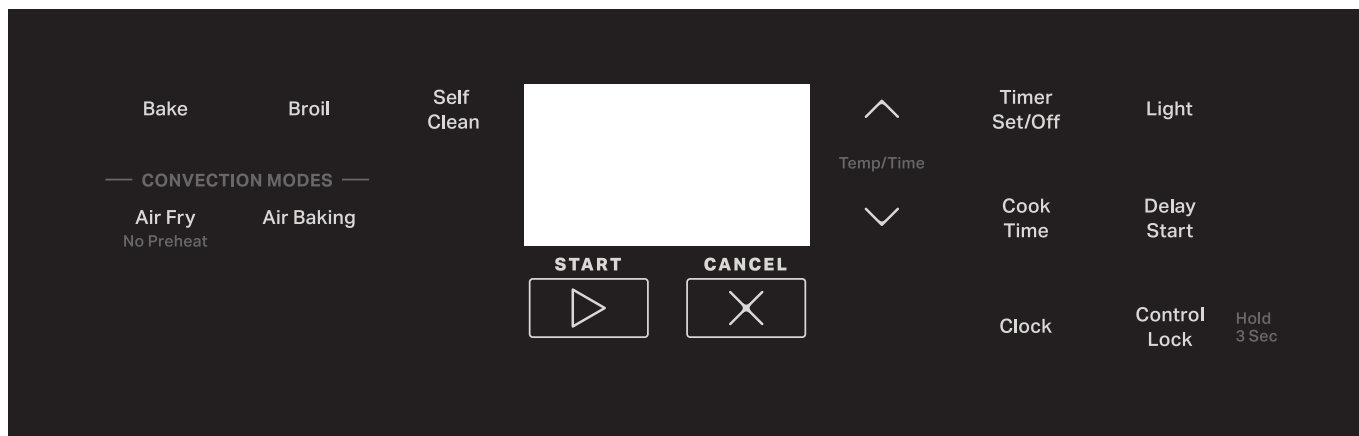
Este manual abarca varios modelos. Su modelo puede contar con algunos o todos los elementos enumerados. Consulte este manual o la sección de Preguntas frecuentes de nuestra página de Internet, en [www.maytag.com/owners](http://www.maytag.com/owners) para obtener instrucciones más detalladas. En Canadá, consulte la sección de Servicio al cliente en [www.maytag.ca/owners](http://www.maytag.ca/owners).

### **⚠ ADVERTENCIA**

**Peligro de intoxicación alimentaria**

**No deje sus alimentos en el horno por más de una hora antes o después de su cocción.**

**No seguir esta instrucción puede ocasionar intoxicación alimentaria o enfermedad.**



BOTÓN	FUNCIÓN	INSTRUCCIONES
<b>START (INICIO)</b>	<b>Inicio de cocción</b>	El botón START (INICIO) inicia cualquier función del horno. Si no se presiona el botón START (INICIO) en menos de 10 segundos, sonará un tono y este botón parpadeará hasta que se presione o se cancele. Si no se presiona el botón START (INICIO) en menos de 30 segundos después de haber presionado un botón, la función se cancelará y la hora del día aparecerá en la pantalla.
<b>CANCEL (CANCELAR)</b>	<b>Función de la estufa</b>	El botón CANCEL (CANCELAR) detiene todas las funciones, excepto el temporizador y el bloqueo de los controles del horno.
<b>Temp/Time (Temperatura/Tiempo)</b>	<b>Ajuste de temperatura y tiempo</b>	Los botones de Temp/Time (Temperatura/Tiempo) con flechas hacia arriba y abajo se utilizan para ajustar el tiempo y la temperatura.
<b>Bake (Hornear)</b>	<b>Hornear y asar</b>	<ol style="list-style-type: none"><li>1. Presione Bake (Hornear).</li><li>2. Presione los botones de flecha hacia arriba y abajo de Temp/Time (Temperatura/Tiempo) hasta alcanzar la temperatura deseada. Se emite un sonido cuando se alcanza la temperatura mínima o máxima.</li><li>3. Presione el botón START (INICIO).</li><li>4. Para cambiar la temperatura, repita el paso 2. Presione el botón START (INICIO).</li><li>5. Presione el botón CANCEL (CANCELAR) cuando haya finalizado.</li></ol> <p><b>NOTA:</b> El ventilador se apagará cuando se abra la puerta del horno. Si la puerta del horno permanece abierta demasiado tiempo, los elementos calentadores se apagará hasta que se la cierre. Todos los temporizadores, incluidas las funciones activas de Cook Time (Tiempo de cocción) y Timed Cook (Cocción programada), continuarán la cuenta regresiva.</p>

BOTÓN	FUNCIÓN	INSTRUCCIONES
<b>Broil (Asar a la parrilla)</b>	<b>Asar a la parrilla</b>	<ol style="list-style-type: none"> <li>1. Presione Broil (Asar a la parrilla).</li> <li>2. Presione los botones de flecha hacia arriba y abajo de Temp/Time (Temperatura/Tiempo) hasta alcanzar la temperatura deseada. Se emite un sonido cuando se alcanza la temperatura mínima o máxima.</li> <li>3. Presione el botón START (INICIO).</li> <li>4. Precaliente el horno durante 5 minutos, a menos que la receta indique algo diferente. Coloque los utensilios de cocina dentro del horno y cierre la puerta del horno.</li> <li>5. Para cambiar la temperatura, repita el paso 2 y presione el botón Start (Inicio).</li> <li>6. Presione el botón CANCEL (CANCELAR) cuando haya finalizado.</li> </ol> <p><b>NOTA:</b> El ventilador se apagará cuando se abra la puerta del horno. Si la puerta del horno permanece abierta demasiado tiempo, los elementos calentadores se apagará hasta que se la cierre. Todos los temporizadores, incluidas las funciones activas de Cook Time (Tiempo de cocción) y Timed Cook (Cocción programada), continuarán la cuenta regresiva.</p>
<b>Self Clean (Autolimpieza)</b>	<b>Ciclo de autolimpieza</b>	Consulte la sección “Ciclo de autolimpieza” en el Manual del propietario.
<b>Air Fry (Freír sin aceite)</b>	<b>Freír sin aceite</b>	<ol style="list-style-type: none"> <li>1. Coloque los alimentos directamente en la cavidad del horno.</li> <li>2. Presione Air Fry (Freír sin aceite).</li> <li>3. Ingrese la temperatura deseada usando los botones numéricos. Sonará un tono si la temperatura introducida es demasiado baja o demasiado alta.</li> <li>4. Presione el botón START (INICIO). No hay precalentamiento ni tono de precalentamiento.</li> <li>5. Para cambiar la temperatura, repita el paso 2. Presione el botón START (INICIO).</li> <li>6. Presione el botón CANCEL (CANCELAR) cuando haya finalizado.</li> </ol> <p><b>NOTA:</b> El ventilador y los elementos se apagará cuando se abra la puerta del horno hasta que esta se cierre. Todos los temporizadores, incluidas las funciones activas de Cook Time (Tiempo de cocción) y Timed Cook (Cocción programada), continuarán la cuenta regresiva.</p>
<b>Air Baking (Hornear con aire)</b>	<b>Hornear y asar</b>	<ol style="list-style-type: none"> <li>1. Presione Baking (Hornear).</li> <li>2. Presione los botones de flecha hacia arriba y abajo de Temp/Time (Temperatura/Tiempo) hasta alcanzar la temperatura deseada. Se emite un sonido cuando se alcanza la temperatura mínima o máxima.</li> <li>3. Presione el botón START (INICIO).</li> <li>4. Para cambiar la temperatura, repita el paso 2. Presione el botón START (INICIO).</li> <li>5. Presione el botón CANCEL (CANCELAR) cuando haya finalizado.</li> </ol> <p><b>NOTA:</b> El ventilador se apagará cuando se abra la puerta del horno. Si la puerta del horno permanece abierta demasiado tiempo, los elementos calentadores se apagará hasta que se la cierre. Todos los temporizadores, incluidas las funciones activas de Cook Time (Tiempo de cocción) y Timed Cook (Cocción programada), continuarán la cuenta regresiva.</p>
<b>Timer Set/Off (Ajustar/ Apagar el temporizador)</b>	<b>Temporizador del horno</b>	<p>El temporizador se puede fijar en horas o minutos, hasta 9 horas y 59 minutos .</p> <ol style="list-style-type: none"> <li>1. Presione Timer Set/Off (Ajustar/Apagar el temporizador).</li> <li>2. Presione los botones con las flechas de Temp/Time (Temperatura/Tiempo) hacia arriba o hacia abajo para fijar la duración del tiempo.</li> <li>3. Presione el botón START (INICIO) para comenzar la cuenta regresiva. Si se habilitan, los tonos de fin de ciclo sonarán al final de la cuenta regresiva.</li> <li>4. Presione el botón Timer Set/Off (Ajustar/Apagar el temporizador) para cancelar el temporizador. No presione el botón CANCEL (CANCELAR), ya que al hacerlo se apagará el horno.</li> </ol>
<b>Light (Luz)</b>	<b>Luz de la cavidad del horno</b>	Con la puerta del horno cerrada, presione el botón Light (Luz) para encender y apagar la luz. La luz del horno se encenderá cuando se abra la puerta del horno. La luz del horno no se enciende durante el ciclo Self-Cleaning (Autolimpieza).
<b>Cook Time (Tiempo de cocción)</b>	<b>Cocción programada</b>	<p>La función Cook Time (Tiempo de cocción) permite programar el horno para que se encienda a una determinada hora del día, cocine durante un tiempo establecido y/o se apague automáticamente.</p> <p>Para ajustar Timed Cook (Cocción programada) o Delayed Timed Cook (Cocción programada diferida), consulte la sección “Tiempo de cocción”.</p>

BOTÓN	FUNCIÓN	INSTRUCCIONES
<b>Delay Start (Inicio diferido)</b>	<b>Inicio diferido</b>	Delay Start (Inicio diferido) se utiliza para ingresar la hora en la que se va a activar una función del horno con inicio diferido. Delay Start (Inicio diferido) no debe usarse para alimentos como panes y pasteles, ya que es posible que no se horneen correctamente. Para ajustar Timed Cook (Cocción programada) o Delayed Timed Cook (Cocción programada diferida), consulte la sección "Tiempo de cocción".
<b>Clock (Reloj)</b>	<b>Reloj</b>	El reloj tiene un ciclo de 12 horas. 1. Verifique que el horno esté apagado. 2. Presione Clock (Reloj). 3. Presione los botones con las flechas de Temp/Time (Temperatura/Tiempo) hacia arriba o hacia abajo para fijar las horas. Presione el botón Clock (Reloj) para cambiar a los minutos. Presione los botones con las flechas de Temp/Time (Temperatura/Tiempo) hacia arriba o hacia abajo para fijar los minutos. 4. Presione el botón Clock (Reloj) o START (INICIO).
<b>Control Lock (Bloqueo de controles) mantenga presionado por 3 segundos</b>	<b>Bloqueo de controles del horno</b>	1. Revise que el horno y la superficie de cocción estén apagados. 2. Mantenga presionado el botón Control Lock (Bloqueo de controles) durante 3 segundos. 3. Sonará un tono y aparecerá un candado en la pantalla. 4. Repita para desbloquear. Cuando los controles estén bloqueados, no funcionará ningún botón.

## Temperatura de la superficie

Cuando la estufa está en uso, todas las superficies pueden calentarse, incluidas las perillas y la puerta del horno.

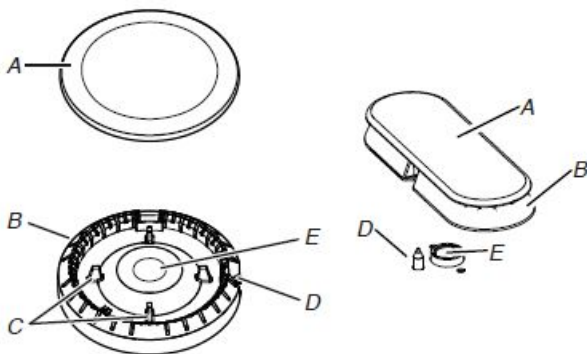
### Cajón de almacenamiento

Cuando el horno está en funcionamiento, es posible que el cajón se caliente. No guarde en el cajón objetos de plástico, paños ni otros objetos que pudieran derretirse o quemarse.

### Ducto de ventilación del horno

El ducto de ventilación del horno libera aire caliente y humedad del horno y no debe bloquearse ni taparse. No coloque objetos de plástico, papel ni otros objetos que puedan derretirse o quemarse cerca del ducto de ventilación del horno.

## Quemadores de superficie



- A. Tapa del quemador  
B. Base del quemador  
C. Espigas de alineación  
D. Encendedor  
E. Abertura del tubo de gas

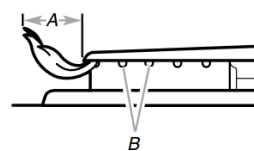
**NOTA:** La base ovalada del quemador está fijada de forma permanente a la tapa del quemador.

**IMPORTANTE:** No obstruya el flujo de aire de combustión y ventilación alrededor de los bordes de la rejilla del quemador.

**Tapa del quemador:** Siempre mantenga la tapa del quemador en su lugar cuando use un quemador de la superficie. Una tapa del quemador limpia ayudará a prevenir el encendido deficiente y las llamas desaparejas. Siempre limpie la tapa del quemador después de un derrame, y quite y limpie periódicamente las tapas como se indica en la sección "Limpieza general".

**Alineación:** Asegúrese de alinear la abertura del tubo de gas en la base del quemador con el soporte de orificio en la superficie de cocción y el electrodo encendedor con la muesca en la base del quemador.

**Abertura del tubo de gas:** El gas debe fluir libremente a través de la abertura del tubo de gas para que el quemador se encienda como es debido. Mantenga esta zona libre de suciedad y no permita que ingresen derrames, alimentos, agentes de limpieza ni otros materiales a la abertura del tubo de gas. Para mantener los derrames lejos del tubo de gas, use siempre una tapa para los quemadores.



A. 1-1/2" (2,5-3,8 cm)

B. Orificios del quemador

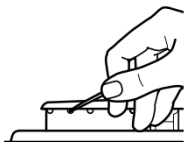
**Orificios del quemador:** Revise las llamas del quemador ocasionalmente para fijarse que tengan el tamaño y la forma adecuados, como se muestra arriba. Una buena llama es de color azul, no amarillo. Mantenga esta zona libre de suciedad y no permita que ingresen derrames, alimentos, agentes de limpieza ni otros materiales en los orificios del quemador.

### Para limpiar:

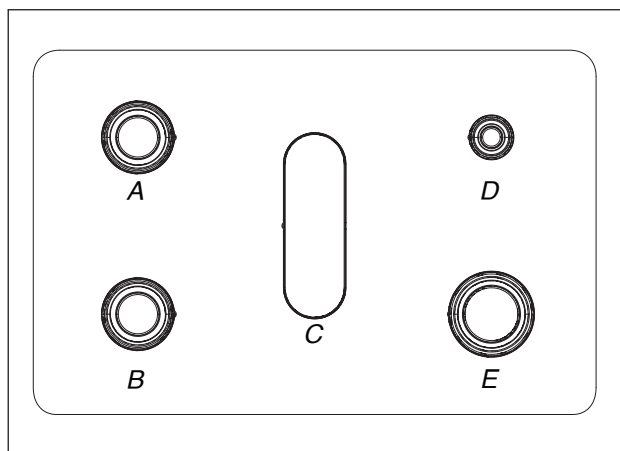
**IMPORTANTE:** Antes de la limpieza, asegúrese de que todos los controles estén apagados y que la superficie de cocción esté fría. No use limpiadores para horno, cloro ni eliminadores de óxido.

1. Retire la tapa y la base del quemador y limpie como se indica en la sección "Limpieza general" en el Manual del propietario.
2. Limpie la abertura del tubo de gas con un paño húmedo.

3. Limpie los orificios del quemador obstruidos con un alfiler recto, como se muestra. No agrande ni distorsione los puertos. No use un palillo de dientes de madera. Si se debe regular el quemador, póngase en contacto con un especialista en reparación capacitado.

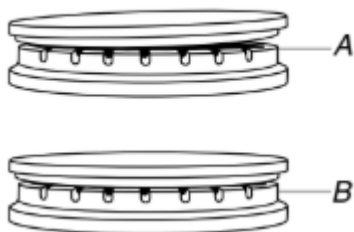


4. Vuelva a colocar la base del quemador. La base de cada quemador redondo está marcada con una letra que indica el tamaño del quemador. Vea la ilustración siguiente para las posiciones de los quemadores.



- A. Grande (rápido)    D. Pequeño (auxiliar)  
 B. Grande (rápido)    E. Grande (ultrarrápido)  
 C. Ovalado (OV)

5. Vuelva a colocar la tapa del quemador y asegúrese de que las espigas de alineamiento estén debidamente alineadas con la tapa del quemador.



- A. Incorrecto  
 B. Correcto

6. Coloque las tapas de los quemadores sobre las bases de los quemadores apropiados.

**IMPORTANTE:** Las bases de las tapas pequeñas e intermedias son distintas. No coloque una tapa de quemador sobre la base de quemador equivocada.



Tapa pequeña (auxiliar)

Tapa grande (rápido)

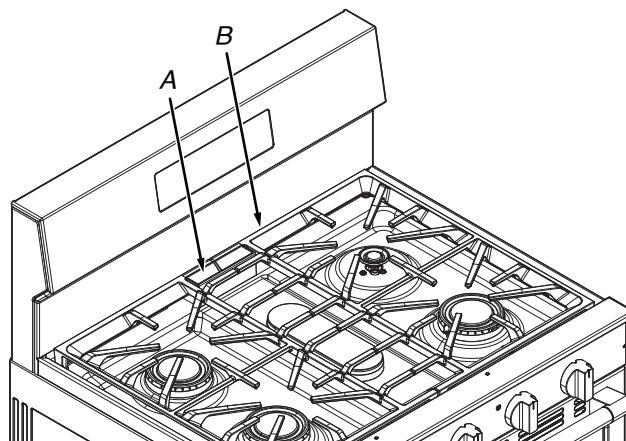
Tapa grande (ultrarrápido)

7. Encienda el quemador. Si el quemador no se enciende, verifique la alineación de la tapa. Si el quemador sellado igualmente no se enciende, no lo repare usted mismo. Comuníquese con un especialista en reparación competente.

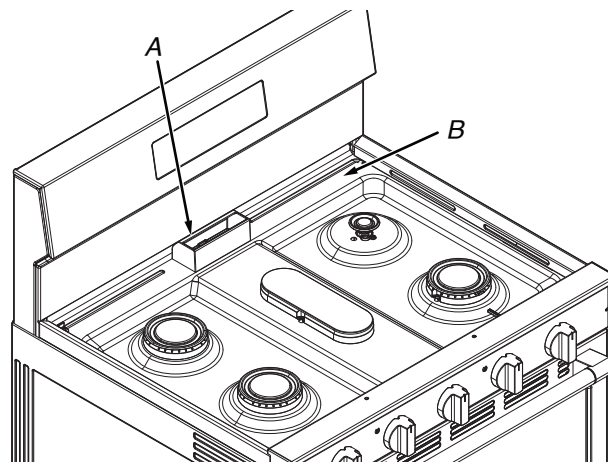
## Rejillas

Las rejillas deben colocarse correctamente antes de cocinar. Cuando están bien colocadas, las rejillas deben quedar al ras y niveladas. La instalación incorrecta de las rejillas puede dar como resultado desportillados o rayas en la superficie de cocción.

Para garantizar una colocación adecuada, alinee la ranura de la rejilla izquierda con la cubierta de ventilación central del horno en la superficie de cocción. Repita con la rejilla derecha. Asegúrese de que las rejillas estén entre los elementos de fijación de la superficie de cocción, de adelante hacia atrás.



- A. Cubierta de ventilación central del horno  
 B. Ranuras en la rejilla



- A. Cubierta de ventilación central del horno  
 B. Elementos de fijación

A pesar de que las rejillas de los quemadores son duraderas, gradualmente perderán el brillo y/o cambiarán de color debido a las altas temperaturas de la llama de gas.

## Utensilios de cocina

**IMPORTANTE:** No deje utensilios de cocina vacíos sobre una zona de cocción, un elemento o un quemador de superficie que estén calientes.

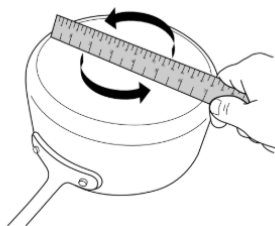
El utensilio de cocina ideal debe tener fondo plano, lados rectos y una tapa que encaje bien, y el material debe ser de grosor medio a pesado.

Los acabados ásperos pueden rayar la superficie de cocción o las rejillas/bobinas. El aluminio y el cobre pueden usarse como centro o base del utensilio de cocina. Sin embargo, cuando se usan como base pueden dejar marcas permanentes en las superficies.

El material de los utensilios de cocina es un factor que influye en la rapidez y la uniformidad con la que se transmite el calor, lo que afecta los resultados de la cocción. Un acabado antiadherente tiene las mismas características que su material de base. Por ejemplo, un utensilio de cocina de aluminio con acabado antiadherente tendrá las propiedades del aluminio.

No deben usarse utensilios de cocina con superficies antiadherentes bajo el asador.

Verifique si el utensilio de cocina es plano colocando el borde recto de una regla a lo largo del fondo de este. Al girar la regla, no debería verse espacio ni luz entre la regla y el utensilio de cocina.



Utilice la siguiente tabla como guía para ver las características de los materiales de los utensilios de cocina.

Utensilios de cocina	Características
<b>Aluminio</b>	<ul style="list-style-type: none"> <li>■ Se calienta de manera rápida y uniforme.</li> <li>■ Sirve para todos los tipos de cocción.</li> <li>■ Los espesores medianos o pesados son óptimos para la mayoría de las tareas de cocción.</li> </ul>
<b>Acero fundido</b>	<ul style="list-style-type: none"> <li>■ Se calienta de manera lenta y uniforme.</li> <li>■ Es bueno para dorar y freír.</li> <li>■ Mantiene el calor para una cocción lenta.</li> </ul>
<b>Cerámica o vitrocerámica</b>	<ul style="list-style-type: none"> <li>■ Siga las instrucciones del fabricante.</li> <li>■ Se calienta de manera lenta, pero irregular.</li> <li>■ Da los mejores resultados en los ajustes de calor bajo a medio.</li> </ul>
<b>Cobre</b>	<ul style="list-style-type: none"> <li>■ Se calienta de manera muy rápida y uniforme.</li> <li>■ Puede dejar residuos de cobre que se pueden atenuar si se limpian inmediatamente después de la cocción.</li> </ul>
<b>Utensilios de barro/piedra</b>	<ul style="list-style-type: none"> <li>■ Siga las instrucciones del fabricante.</li> <li>■ Use con ajustes de calor bajos.</li> </ul>
<b>Hierro fundido o acero con esmalte de porcelana</b>	<ul style="list-style-type: none"> <li>■ Vea acero inoxidable o hierro fundido.</li> </ul>
<b>Acero inoxidable</b>	<ul style="list-style-type: none"> <li>■ Se calienta de manera rápida, pero irregular.</li> <li>■ Un centro o una base de aluminio o cobre sobre acero inoxidable proporciona un calor uniforme.</li> </ul>

Para obtener resultados óptimos, el recipiente de cocción deberá estar centrado encima del quemador con la base nivelada sobre la rejilla. Deberá regularse la llama para que no se eleve por los costados del recipiente.



## Envasado casero

Al preparar envasados durante períodos prolongados, alterne el uso de los quemadores de superficie entre una tanda y otra. Esto da tiempo para que se enfríen las áreas que se han usado recientemente.

- Centre el recipiente para envasado sobre la rejilla, encima del quemador.
- No coloque el recipiente para envasado sobre 2 quemadores de superficie a la vez.
- Para obtener más información, póngase en contacto con la oficina de extensión del departamento de agricultura local o consulte guías para envasado casero publicadas. También pueden ofrecer ayuda las compañías que fabrican productos para envasado casero.

## Uso del horno

Durante el funcionamiento normal de la estufa, se pueden oír diversos ruidos cada vez que se encienden los quemadores para hornear o asar durante el ciclo de cocción:

- Es posible que las válvulas de gas emitan un ligero sonido de “estallido” cuando se abren o se cierran.
- Los encendedores emitirán un chasquido varias veces hasta que se detecte una llama.
- Sonará un “puf” cuando se encienda el quemador de hornear o el de asar.

Los olores y el humo son normales cuando el horno se usa las primeras veces o cuando tiene suciedad profunda.

**IMPORTANTE:** La salud de algunas aves es sumamente sensible a los gases emanados. La exposición a las emanaciones puede ocasionar la muerte de ciertas aves. Siempre traslade las aves a otra habitación cerrada y bien ventilada.

**NOTA:** En algunos modelos: El ventilador se apagará cuando se abra la puerta del horno. Si la puerta del horno permanece abierta demasiado tiempo, los elementos calentadores se apagará hasta que se la cierre. Todos los temporizadores, incluidas las funciones activas de Cook Time (Tiempo de cocción) y Timed Cook (Cocción programada), continuarán la cuenta regresiva.

## Controles electrónicos del horno

### Pantalla de control

La pantalla destellará cuando se encienda o después de un corte de corriente. Presione el botón CANCEL (CANCELAR) para borrar. Cuando el horno no está en uso, se muestra la hora del día.



## Fahrenheit and Celsius (Fahrenheit y Celsius)

La temperatura está prefijada en Fahrenheit, pero puede cambiarla a Celsius.

**Para cambiar:** Mantenga presionado el botón de flecha arriba de Temp/Time (Temperatura/Tiempo) durante 5 segundos. Aparecerá “°C” o “°F” en la pantalla. Repita para cambiar al ajuste anterior.

Para salir del modo, presione el botón CANCEL (CANCELAR).

## Tonos del botón

Permite activar o apagar los tonos que suenan al presionarse un botón.

**Para cambiar:** Mantenga presionado Light (Luz) durante 5 segundos. Repita para cambiar al ajuste anterior.

Para salir del modo, presione el botón CANCEL (CANCELAR).

## Modo Demo (Demostración)

**IMPORTANTE:** Esta característica está destinada al uso en el salón de ventas con una conexión eléctrica de 120 V y permite demostrar las características de control sin que se encienda el horno. Si se activa esta característica, el horno no funcionará.

**Para cambiar:** Presione el botón CANCEL, de nuevo CANCEL (CANCELAR), el botón de flecha arriba de Temp/Time (Temperatura/Tiempo), Timer Set/Off (Ajustar/Apagar el temporizador). Repita para regresar al ajuste anterior y terminar el modo de demostración.

## Control de compensación de la temperatura del horno

**IMPORTANTE:** No use un termómetro para medir la temperatura del horno. Los elementos se encenderán y se apagarán según sea necesario para brindar una temperatura uniforme, pero es posible que queden ligeramente calientes o fríos en algún momento a causa de este ciclo. La mayoría de los termómetros son lentos para reaccionar a los cambios de temperatura y no brindarán una lectura precisa a causa de este ciclo.

El horno proporciona temperaturas exactas; sin embargo, es posible que cocine más rápido o más despacio que su horno anterior, de manera que se puede ajustar la temperatura para adecuarla a sus necesidades de cocción. Puede cambiarse a Fahrenheit o a Celsius.

### Para ajustar la temperatura del horno:

1. Mantenga presionado el botón de flecha abajo de Temp/Time (Temperatura/Tiempo) 5 segundos hasta que la pantalla del horno muestre el ajuste actual, por ejemplo “0°F CAL” o “00”.
2. Presione el botón de flecha “arriba” o abajo de Temp/Time (Temperatura/Tiempo) para aumentar o disminuir la temperatura 5 °F (3 °C). El ajuste puede fijarse entre 30 °F (18 °C) y -30 °F (-18 °C).
3. Presione el botón START (INICIO).

## Modo Sabbath (Sabbat)

Para buscar orientación sobre el uso y una lista completa de modelos con modo Sabbath (Sabbat), visite [www.star-k.org](http://www.star-k.org).

El modo Sabbath (Sabbat) fija el horno para que permanezca encendido con un ajuste para hornear hasta que se apague. También puede programarse el modo Timed Bake (Horneado programado) para mantener el horno encendido solo durante una parte del modo Sabbath (Sabbat). La característica Oven Control Lockout (Bloqueo de controles del horno) se desactiva durante el modo Sabbath. Después de fijar el modo Sabbath (Sabbat), no sonará ningún tono, la pantalla no mostrará la temperatura, el modo Timer (Temporizador) se cancelará (si estuviera activado) y solo funcionarán los botones siguientes:

- Botones de flecha arriba y abajo de Temp/Time (Temperatura/Tiempo)
- CANCEL (CANCELAR)

Cuando se abra o se cierre la puerta del horno, la luz no se encenderá ni apagará y los elementos calentadores no se encenderán ni apagarán de inmediato.

Cuando se restablezca la energía después de un corte de corriente, el horno se volverá a fijar en el modo Sabbath (Sabbat) y funcionará con estas características, con los elementos de horneado apagados, hasta que se presione el botón CANCEL (CANCELAR).

Al presionar el botón CANCEL (CANCELAR) en cualquier momento, el horno vuelve al modo de cocción normal (sin cumplir con las características de Sabbath).

Antes de ingresar al modo Sabbath (Sabbat), debe decidir si la luz del horno estará encendida o apagada durante el período completo de este modo. Si la luz está encendida en el momento de ingresar al modo Sabbath (Sabbat), permanecerá encendida todo el tiempo que este modo esté en uso. Si la luz está apagada en el momento de ingresar al modo Sabbath (Sabbat), permanecerá apagada durante todo el tiempo que dicho modo permanezca activado. La apertura del horno o presionar el botón Light (Luz) no afectará a la luz del horno una vez que se active el modo Sabbath (Sabbat).

En el día festivo, la temperatura del horno puede cambiarse una vez que el horno esté en modo Sabbath (Sabbat) si se presionan los botones de flecha arriba o abajo de Temp/Time (Temperatura/Tiempo). La temperatura del horno cambiará 25 °F (14 °C) cada vez que se presionen las flechas hacia arriba y hacia abajo de Temp/Time (Temperatura/Tiempo). Presione el botón START (INICIO) para activar la temperatura. La pantalla no cambiará y no habrá sonidos durante este ajuste.

### Para activar y hornear usando el modo Sabbath (Sabbat):

1. Presione Bake (Hornear).
2. Presione el botón de flecha arriba o abajo de Temp/Time (Temperatura/Tiempo).
3. Presione el botón START (INICIO).
4. Mantenga presionado Timer Set/Off (Ajustar/Apagar el temporizador) durante 5 segundos. “SAb” destellará en la pantalla.
5. Presione el botón START (INICIO) mientras “SAb” está destellando para ingresar al modo Sabbath (Sabbat); de lo contrario, se cancelará el ciclo completo. “SAb” dejará de destellar y permanecerá encendido en la pantalla. El horno está ahora en el modo Sabbath (Sabbat) y cumplirá las características de este día.

Al presionar el botón CANCEL (CANCELAR) en cualquier momento, el horno vuelve al modo de cocción normal (sin cumplir con las características de Sabbath).

**NOTA:** En algunos modelos: Si no aparece “SAb” en la pantalla, el modo Sabbath (Sabbat) no está activado. Una vez que el modo Sabbath (Sabbat) se desactive, deberá activarlo siguiendo los pasos 1 a 5.

### Para ajustar Timed Bake (Horneado programado) utilizando el modo Sabbath (Sabbat) (en algunos modelos):

1. Presione Bake (Hornear).
2. Presione los botones de flecha arriba o abajo de Temp/Time (Temperatura/Tiempo) para ingresar una temperatura distinta de la que muestra la pantalla.
3. Presione Cook Time (Tiempo de cocción). La luz indicadora de tiempo de cocción del horno se iluminará.
4. Presione los botones de flecha arriba o abajo de Temp/Time (Temperatura/Tiempo) para ingresar un tiempo de cocción.
5. Presione el botón START (INICIO).
6. Mantenga presionado Timer Set/Off (Ajustar/Apagar el temporizador) durante 5 segundos. “SAb” destellará en la pantalla.

- Presione el botón START (INICIO) mientras “SAb” está destellando para ingresar al Sabbath (Sabbat); de lo contrario, se cancelará el ciclo completo. “SAb” dejará de destellar y permanecerá encendido en la pantalla. El horno está ahora en el modo Sabbath (Sabbat) y cumplirá las características de este día. Se encenderán las luces de Bake (Hornear), On (Encendido) y Cook Time (Tiempo de cocción).

Cuando termine el tiempo de cocción programado, el horno se apagará automáticamente y las luces indicadoras se apagarán, lo que indica el fin del ciclo.

Al presionar el botón CANCEL (CANCELAR) en cualquier momento, el horno vuelve al modo de cocción normal (sin cumplir con las características del modo Sabbath (Sabbat)).

**NOTA:** Si no aparece “SAb” en la pantalla, el modo Sabbath (Sabbat) no está activado. Una vez que el modo Sabbath (Sabbat) se desactive, deberá activarlo siguiendo los pasos 1 a 5.

**Para ajustar Delayed Timed Bake (Horneado programado diferido) utilizando el modo Sabbath (Sabbat) (en algunos modelos):**

- Presione Bake (Hornear).
- Presione los botones de flecha arriba o abajo de Temp/Time (Temperatura/Tiempo) para ingresar una temperatura distinta de la que muestra la pantalla.
- Presione Cook Time (Tiempo de cocción). La luz indicadora de tiempo de cocción del horno se iluminará.
- Presione los botones de flecha arriba o abajo de Temp/Time (Temperatura/Tiempo) para ingresar un tiempo de cocción.
- Presione Delay Start (Inicio diferido). Se encenderá la luz indicadora de Delay (Diferido).
- Presione los botones de flecha arriba o abajo de Temp/Time (Temperatura/Tiempo) para ingresar un tiempo de inicio.
- Presione el botón START (INICIO).
- Mantenga presionado Timer Set/Off (Ajustar/Apagar el temporizador) durante 5 segundos. “SAb” destellará en la pantalla.
- Presione el botón START (INICIO) mientras “SAb” está destellando para ingresar al Sabbath (Sabbat); de lo contrario, se cancelará el ciclo completo. “SAb” dejará de destellar y permanecerá encendido en la pantalla. El horno está ahora en el modo Sabbath (Sabbat) y cumplirá las características de este día. Se encenderán las luces indicadoras de On (Encendido) y Delay (Inicio diferido).

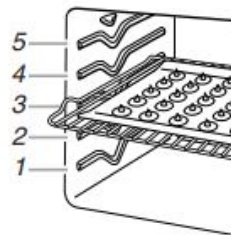
Al cumplirse la hora de inicio, las luces indicadoras de Bake (Hornear), On (Encendido) y Cook Time (Tiempo de cocción) se encenderán automáticamente. Cuando termine el tiempo de cocción programado, el horno se apagará automáticamente y las luces indicadoras se apagarán, lo que indica el fin del ciclo.

Al presionar el botón CANCEL (CANCELAR) en cualquier momento, el horno vuelve al modo de cocción normal (sin cumplir con las características del modo Sabbath (Sabbat)).

**NOTA:** En algunos modelos: Si no aparece “SAb” en la pantalla, el modo Sabbath (Sabbat) no está activado. Una vez que el modo Sabbath (Sabbat) se desactive, deberá activarlo siguiendo los pasos 1 a 5.

## Colocación de las parrillas y los utensilios para hornear

Use como guía la ilustración siguiente.



### Posiciones de la parrilla:

Parrilla 5: Para tostar pan o asar alimentos de poco grosor y sin grasa.

Parrilla 4: Canasta para freír al aire, hornear y asar a la parrilla con dos parrillas

Parrilla 3: La mayoría de los alimentos horneados en bandeja para galletas, bandeja para panecillos o bandeja para galletas con lados y pasteles en capas; asado de pollo troceado.

Parrilla 2: Pasteles, guisos, pan con levadura, panes rápidos, alimentos precocidos congelados y hornear en dos parrillas

Parrilla 1: Asado de cortes grandes y pequeños de carne y aves

### Utensilios para hornear

Para una cocción uniforme, el aire caliente debe poder circular. Deje 2" (5 cm) libres alrededor del utensilio para hornear y las paredes del horno. Asegúrese de que ningún utensilio para hornear esté directamente encima de otro.

### Cocción en varias parrillas

Dos parrillas: Use las posiciones para parrilla 2 y 4.

## Canasta para freír sin aceite

Parte de la eficacia de las freidoras sin aceite a la hora de freír los alimentos tiene que ver con la canasta perforada diseñada para ello. La canasta para freír sin aceite permite que el aire caliente circule por toda la superficie de los alimentos. Cuando utilice la función Air Fry (Freír sin aceite), coloque la canasta para freír sin aceite en la parte superior de una bandeja para hornear grande para recoger las migas, el aceite y mitigar el humo. Coloque la canasta y la lámina en la posición 4 de la parrilla del horno. Consulte la sección Colocación de las parrillas y los utensilios para hornear en la Guía de control o en la Guía del producto para obtener más detalles. Evite usar más de una canasta para evitar que los alimentos se cocinen de forma dispareja.

## Baking and Roasting (Hornear y asar)

### Pre calentamiento

Cuando comience un ciclo Bake (Horneado), el horno empezará a precalentarse después de que se presione el botón Start (Inicio). El horno tardará de 12 a 15 minutos aproximadamente para alcanzar 350 °F (177 °C) con todas las parrillas de horno provistas con su horno dentro de la cavidad. Cuanto mayor sea la temperatura, más tiempo tomará precalentar el horno. El ciclo Preheat (Pre calentamiento) aumenta rápidamente la temperatura del horno. La temperatura real del horno superará la temperatura fijada para compensar la pérdida de calor cuando se abra la puerta del horno para introducir los alimentos. Esto asegura que el horno comience a la temperatura correcta cuando se coloquen los alimentos en el horno. Introduzca el alimento cuando suene el tono de pre calentamiento. No abra la puerta durante el pre calentamiento antes de que suene el tono.

## Temperatura del horno

Mientras estén en uso, los elementos del horno se encenderán y se apagarán según sea necesario para mantener una temperatura constante, pero es posible que se tornen ligeramente calientes o fríos a causa de este ciclo. Si se abre la puerta del horno mientras se encuentra en uso, saldrá el aire caliente y el horno se enfriará, lo que podría afectar el tiempo y el rendimiento de la cocción. Se recomienda usar la luz del horno para controlar el progreso de la cocción.

## Sistema de control de temperatura

El sistema de control de temperatura regula electrónicamente los niveles de calor del horno durante el precalentamiento y el horneado para mantener una temperatura precisa y obtener resultados de cocción óptimos. Los elementos o quemadores de horneado y asado a la parrilla se encienden y apagan a intervalos. En algunos modelos, el ventilador funcionará durante el precalentamiento y es posible que se encienda y apague durante intervalos breves durante el horneado para producir resultados óptimos. Esta función se activa automáticamente cuando el horno está en uso.

Antes de hornear o asar, coloque las parrillas de acuerdo con lo especificado en la sección "Colocación de las parrillas y los utensilios para hornear". Para asar, no es necesario esperar a que termine el ciclo de precalentamiento del horno antes de colocar los alimentos, a menos que la receta de cocina lo recomiende.

## Broiling (Asar a la parrilla)

**NOTA:** El ventilador se apagará cuando se abra la puerta del horno. Si la puerta del horno permanece abierta demasiado tiempo, los elementos calentadores se apagará hasta que se la cierre. Todos los temporizadores, incluidas las funciones activas de Cook Time (Tiempo de cocción) y Timed Cook (Cocción programada), continuarán la cuenta regresiva.

Cuando ase a la parrilla, precaliente el horno durante 5 minutos antes de colocar los alimentos, a menos que se recomiende otra cosa en la receta. Coloque el alimento sobre la parrilla en una charola para asar y sitúela en el centro de la parrilla del horno.

**IMPORTANTE:** Cierre la puerta para garantizar una temperatura adecuada para asar a la parrilla.

Para obtener un control más preciso al cocinar a la parrilla, cambie la temperatura mientras esté asando a la parrilla. Cuanto más bajo sea el ajuste de temperatura, más lenta será la cocción. Los cortes más gruesos y las piezas de carne, pescado y aves con forma irregular se pueden cocinar mejor con ajustes para asar a la parrilla más bajos. Use las parrillas 4 o 5 para asar a la parrilla. Consulte la sección "Colocación de las parrillas y los utensilios para hornear" para obtener más información.

Con los ajustes más bajos, el elemento para asar a la parrilla se encenderá y se apagará con el fin de mantener la temperatura adecuada.

- Para obtener resultados óptimos, utilice una charola para asar y una parrilla. Está diseñado para drenar los jugos y ayudar a evitar salpicaduras y humo.

Si desea comprar una charola para asar, puede realizar un pedido. Consulte la Guía de inicio rápido para ver la información de contacto.

**NOTA:** Los olores y el humo son normales cuando el horno se usa las primeras veces o cuando tiene suciedad profunda.

## Air Frying (Freír sin aceite)

Durante la fritura sin aceite, los elementos calefactores y el ventilador se encienden y apagan en intervalos para mantener la temperatura del horno mientras el ventilador hace circular el aire caliente. Cierre la puerta del horno para garantizar la temperatura adecuada.

**IMPORTANTE:** Los tiempos de cocción, las temperaturas y las instrucciones generales pueden variar según la receta.

Freír sin aceite en una cavidad de horno grande permite freír más alimentos a la vez, por lo que cabe esperar tiempos de horneado más largos.

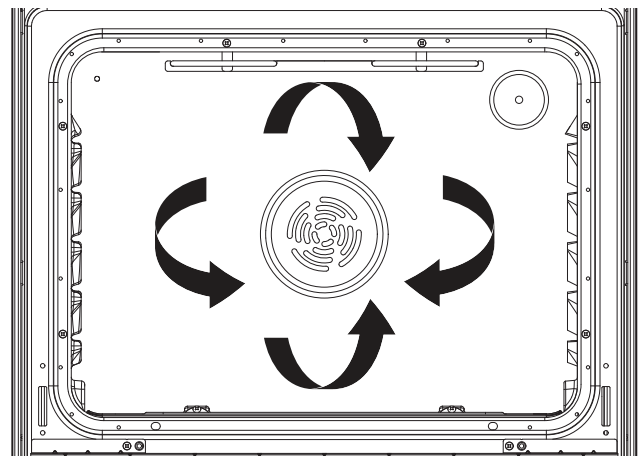
- Al freír sin aceite, los alimentos deben estar uniformemente espaciados en la canasta para freír sin aceite en una sola capa.
- Consulte las instrucciones de los alimentos envasados para hornear en horno convencional con respecto al tiempo y la temperatura para freír sin aceite.
- Para recetas de alimentos frescos con tiempos de cocción superiores a 30 minutos, se recomienda un precalentamiento de 5-10 minutos.
- Para alimentos congelados, con hueso o densos con tiempos de cocción de menos de 15 minutos, es posible que se requiera tiempo adicional.
- No se recomienda utilizar masa húmeda al freír sin aceite.
- Para obtener el mejor rendimiento, agite o voltee los alimentos a la mitad del tiempo de hornear. Asegúrese de cerrar la puerta del horno después de retirar e introducir los alimentos de nuevo en la cavidad.
- Rocíe la cesta para freír con aceite para evitar que los alimentos se peguen a esta.

**NOTA:** Los alimentos grasientos pueden producir humo durante el ciclo de fritura sin aceite. El uso adecuado de la canasta para freír sin aceite y de la bandeja para hornear ayudará a reducir la cantidad de humo producida. Mantener un horno y una bandeja para hornear limpios también ayudará a reducir la cantidad de humo.

## Air Cooking (Cocción por aire)

Los ciclos de Air Cooking (Cocción por aire) encienden y apagan el quemador de horneado en intervalos mientras el ventilador hace circular el aire caliente. Este movimiento de aire caliente ayuda a mantener una temperatura uniforme en todo el horno, cocina los alimentos más uniformemente y deja las superficies crujientes a la vez que atrapa la humedad y hace que los panes salgan con cortezas más crujientes.

**IMPORTANTE:** Con la cocción por aire, la mayoría de los alimentos se pueden cocinar a una temperatura más baja o durante menos tiempo. Esta estufa reduce automáticamente la temperatura fijada del horno en 25 °F (15 °C) para la cocción por aire.



Durante la cocción con aire, los quemadores para hornear y asar a la parrilla y el elemento calefactor se encienden y apagan en intervalos para mantener la temperatura del horno, mientras el ventilador hace circular el aire caliente.

**NOTA:** El ventilador se encenderá aproximadamente 5 minutos después de cualquier ciclo de aire.

Si se abre la puerta del horno durante la cocción, el ventilador se apagará de inmediato. Se encenderá nuevamente cuando cierre la puerta del horno.

**NOTA:** La puerta del horno debe estar cerrada para asar a la parrilla.

### Opciones

**Air Baking (Hornear con aire):** horneado en varias parrillas para galletas, bizcochos, panes, guisados, tartas, tortas y pasteles.

**Air Roast (Asar con aire):** pollo o pavo entero, verduras, asados de cerdo y de carne de res.

**Air Broil (Asar a la parrilla con aire):** cortes más gruesos o piezas de carne, pescado o ave de forma irregular

## Cook Time (Tiempo de cocción)

### Para fijar una cocción programada:

1. Presione Bake (Hornear). Se enciende la luz indicadora de Bake (Hornear).
2. Presione los botones de flecha arriba o abajo de Temp/Time (Temperatura/Tiempo) para ingresar una temperatura distinta de la que muestra la pantalla.
3. Presione Cook Time (Tiempo de cocción). La luz indicadora de tiempo de cocción del horno se iluminará.
4. Presione las flechas arriba o abajo de Temp/Time (Temperatura/Tiempo) para ingresar el tiempo de cocción.
5. Presione el botón START (INICIO). En la pantalla aparecerá la cuenta regresiva del tiempo. Cuando finalice el tiempo, el horno se apagará automáticamente.
6. Presione el botón CANCEL (CANCELAR) para borrar la pantalla.

### Para fijar una cocción programada diferida:

Antes de fijar el reloj, asegúrese de que esté en la hora correcta del día. Consulte la característica del botón Clock (Reloj) en la sección Guía de características.

1. Presione Bake (Hornear).
2. Presione los botones de flecha arriba o abajo de Temp/Time (Temperatura/Tiempo) para ingresar una temperatura distinta de la que muestra la pantalla.
3. Presione Cook Time (Tiempo de cocción). La luz indicadora de tiempo de cocción del horno se iluminará.
4. Presione las flechas arriba o abajo de Temp/Time (Temperatura/Tiempo) para ingresar el tiempo de cocción.
5. Presione Delay Start (Inicio diferido). Se encenderá la luz indicadora de Delay (Inicio diferido) del horno.
6. Presione los botones de flecha arriba o abajo de Temp/Time (Temperatura/Tiempo) para ingresar la hora del día en que empezará.
7. Presione el botón START (INICIO).

El horno se encenderá automáticamente cuando haya alcanzado la hora de inicio. Para cambiar los ajustes de Temperature (Temperatura) y/o Cook Time (Tiempo de cocción), en cualquier momento una vez que el horno está encendido, repita los pasos 2 a 4 y presione START (INICIO). Para cambiar el tiempo de retraso, cancele la función y repita los pasos 1 a 7. Cuando termine el tiempo de cocción fijado, el horno se apagará automáticamente.

8. Presione el botón CANCEL (CANCELAR) para borrar la pantalla.

