

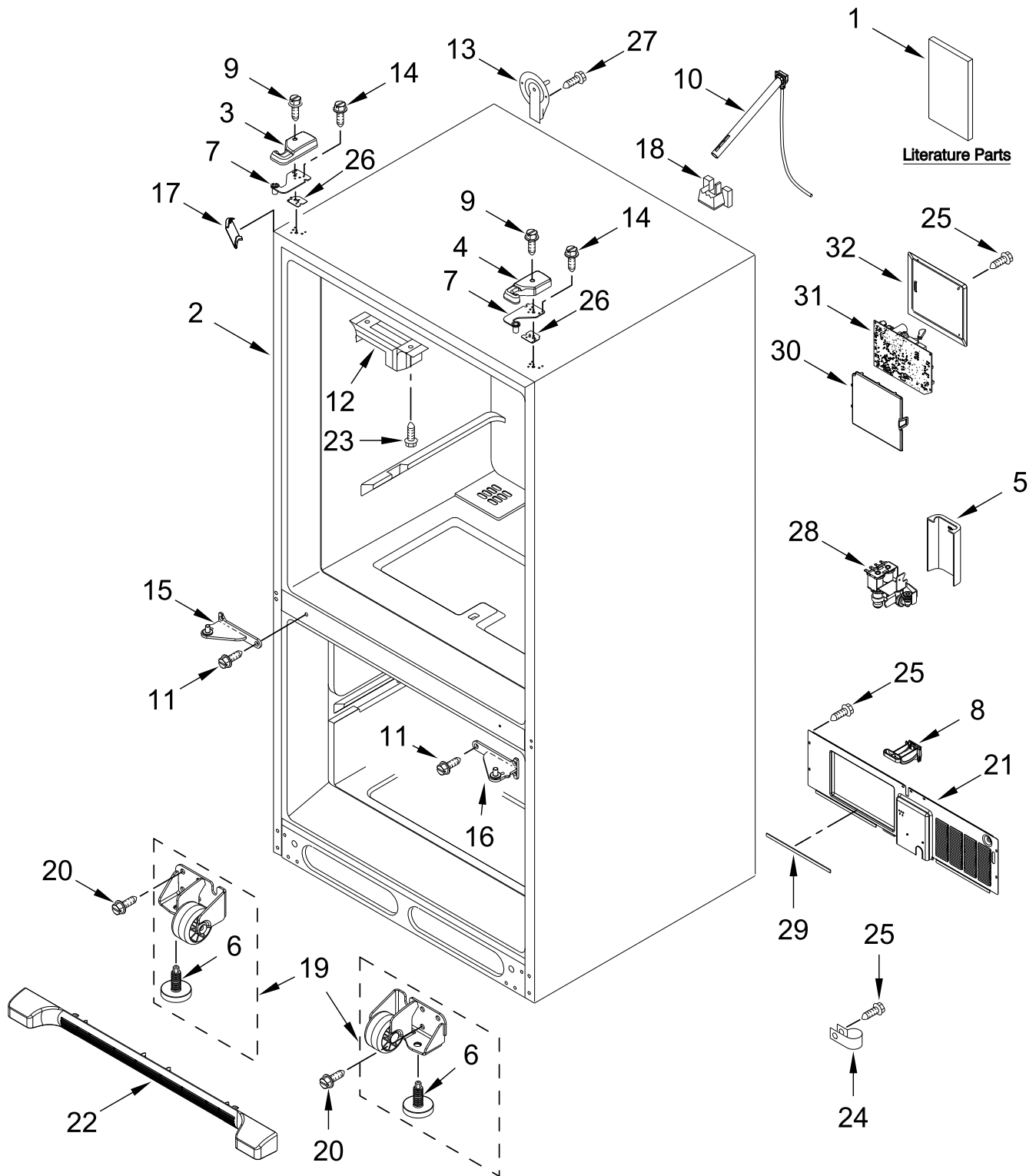


REFRIGERATOR

MODELS:

WRFF3236RZ00 (Stainless)

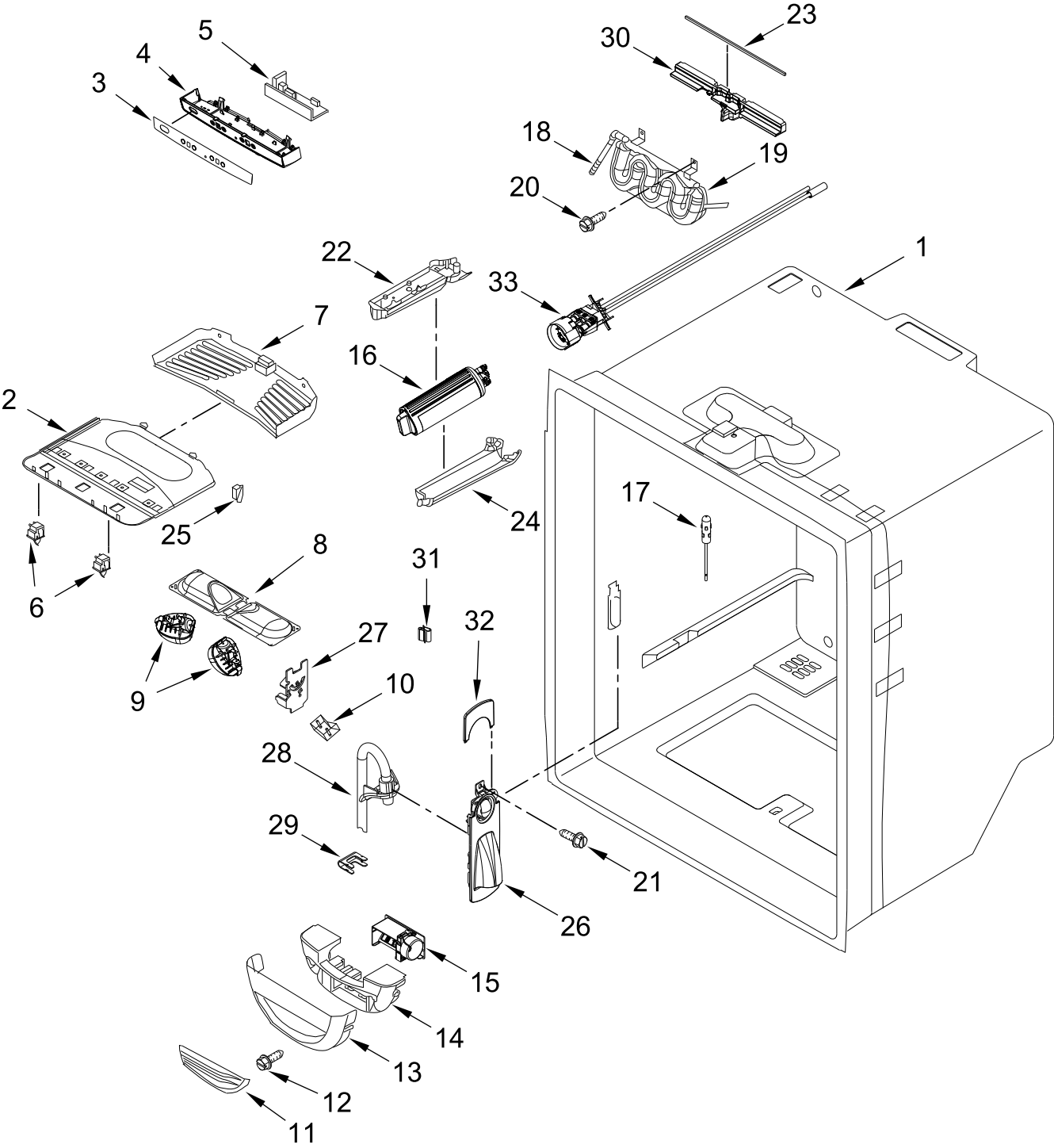
CABINET PARTS



CABINET PARTS

<u>Illus. No.</u>	<u>Part No.</u>	<u>Description</u>	<u>Illus. No.</u>	<u>Part No.</u>	<u>Description</u>	<u>Illus. No.</u>	<u>Part No.</u>	<u>Description</u>
1		Literature Parts	10	W11046934	Assembly, Fill Tube (Includes Tubing, Fill Tube Elbow, Tube Insert and Clamp)	22		Grille, Toe
	W11580822	Owners Manual					W10534155	Grey
	W11730571	Energy Guide				23	688983	Screw
	W11623343	Tech Sheet	11	12990101	Screw	24	M0108107	Clamp, Tube
2		Cabinet (Not a Servicable Part)	12	12698403	Plate, Pivot	25	12990702	Screw
3		Cover, Top Hinge Left Hand	13	12726003	Cover, Water Line	26		Shim, Top Hinge
	W10337648	Grey	14	12992403	Screw		12999501	Left Hand
4		Cover, Top Hinge Right Hand	15		Hinge, Center		12999502	Right Hand
	12962302AP	Grey		W11610757	Left Hand	27	12990504	Screw
5	W10208593	Guard, Dual Water Valve	16		Hinge, Center	28	W11446816	Valve, Water Inlet
6	W10141622	Brake, Roller		W11610758	Right Hand	29	W11534848	Gasket
7		Hinge, Top	17		Cover, Corner	30	W10296541	Lid, HV Control Box
	W11456626	Left Hand		12587703AP	Grey	31	W10317076	Board, HV Control
	W11456625	Right Hand	18	W11651067	Block, Fill Tube	32	12961602	Cover, Control Box
8	W10528513	Sweep, Dual Tube	19		Assembly, Roller			
9	12992602	Screw		W10515763	Left Hand			
				W10515762	Right Hand			
			20	W10709365	Screw			
			21	W10211855	Cover, Unit			

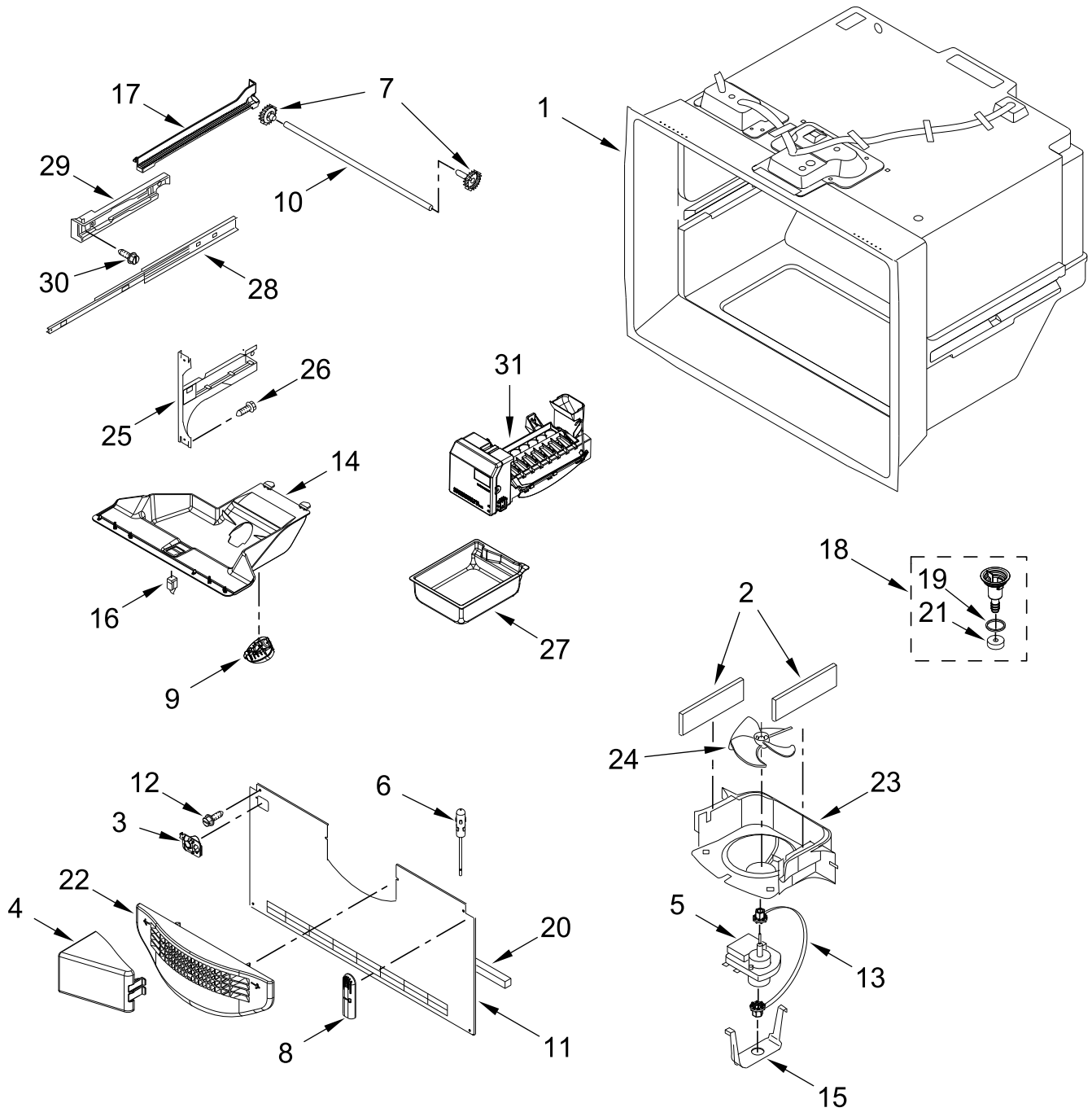
REFRIGERATOR LINER PARTS



REFRIGERATOR LINER PARTS

<u>Illus. No.</u>	<u>Part No.</u>	<u>Description</u>	<u>Illus. No.</u>	<u>Part No.</u>	<u>Description</u>	<u>Illus. No.</u>	<u>Part No.</u>	<u>Description</u>
1		Liner (Not A Serviceable Part)	13	12806701	Cover, Damper	27	W11437528	Plate, Switch
			14	W11657832	Insulation, Damper	28	W11031909	Guide, Waterline
2	W10464764	Module, Light	15	W10594329	Control, Damper	29	12251001	Clip, Water Tube
3	W10746278	Overlay	16	W11536439	Filter, Water	30	W11657834	Insulation, Water Tank
4	W10464767	Module, Control	17	12791416	Thermistor	31	B8390302	Clip, Facade
5	W11593757	Board, Control	18	61006182	Union, Water	32	W11437003	Facade, Dispenser (Top)
6	W10847853	Switch, Rocker	19	W11097710	Tank, Water	33	W11519957	Manifold, Water System
7	W11132917	Cover, Light	20	12990512	Screw			
8	W10443023	Housing, Light	21	12990302	Screw			
9	W11468934	Light Module, LED	22	W11510657	Plate, Filter			
10	W11437004	Foam, Plate Switch	23	10685510	Gasket, Seal			
11	12806801	Insert, Damper Cover	24	W11510654	Cover, Filter			
12	12990604	Screw	25	W11495787	Switch, Limit			
			26	W11551461	Facade, Dispenser			
								FOLLOWING PARTS NOT ILLUSTRATED
							W11609495	Harness, Fresh Food Control (Includes Thermistor)

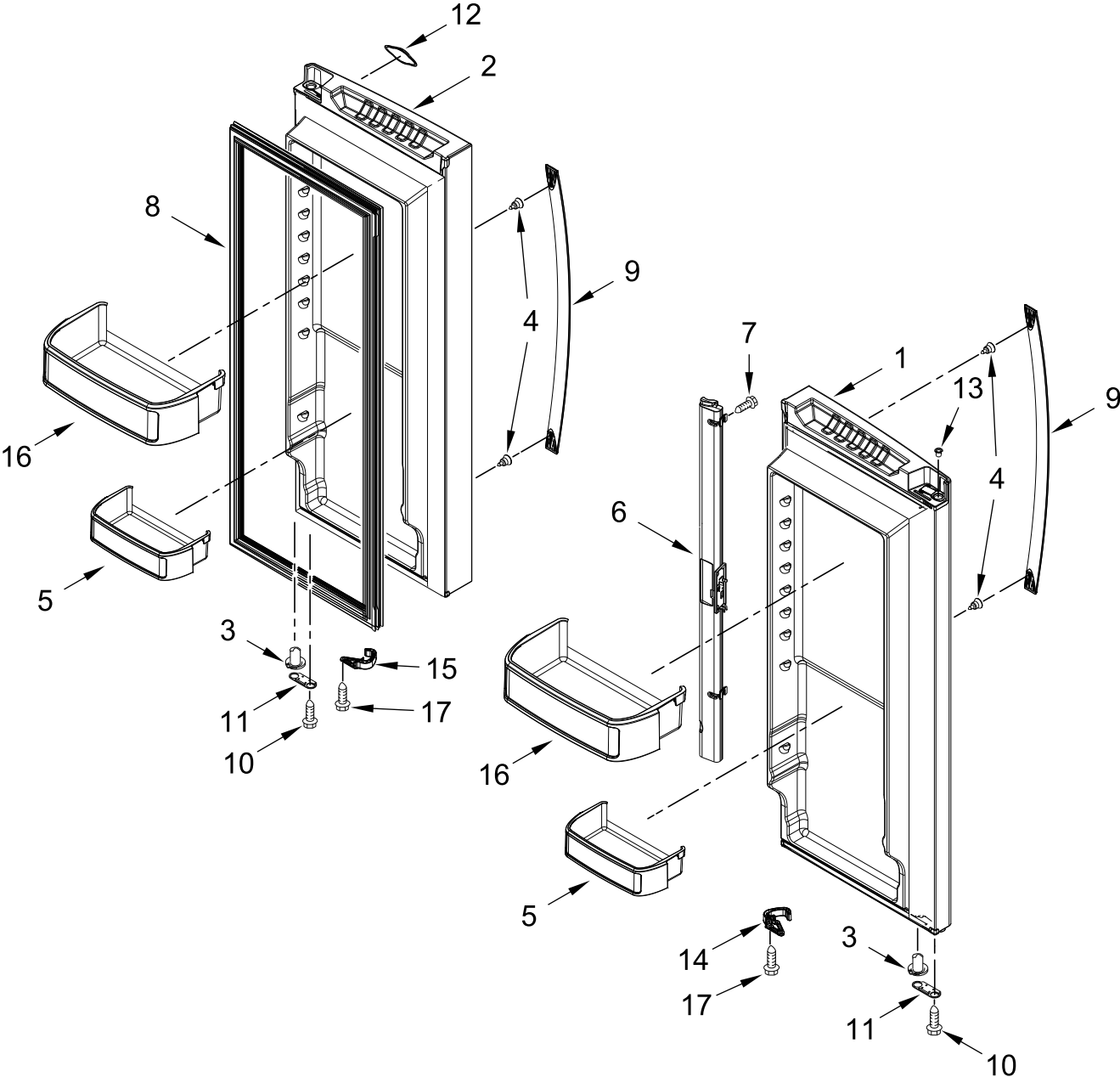
FREEZER LINER AND ICEMAKER PARTS



FREEZER LINER AND ICEMAKER PARTS

<u>Illus. No.</u>	<u>Part No.</u>	<u>Description</u>	<u>Illus. No.</u>	<u>Part No.</u>	<u>Description</u>	<u>Illus. No.</u>	<u>Part No.</u>	<u>Description</u>
1		Liner (Not A Serviceable Part)	14	W10277025	Module, Light	24	2169142	Blade, Fan
2	A3189392	Gasket, Foam	15	13058002	Clip, Evaporator Motor	25		Bracket, Door
3	W11341630	Guide, Fill Tube	16	W10847849	Switch, Light		W10330991	Left Hand
4	W10157765	Diverter, Air	17		Rail, Side		W10330993	Right Hand
5	13062901	Motor, Evaporator		W11309374	Left Hand	26	12990521	Screw
6	12791419SP	Thermistor		W11309377	Right Hand	27	W10171529N	Pan, Ice
7	12002497	Gear	18	W10662407	Assembly, Drain Funnel	28	W11644400	Slide, Door
8	12815301	Cover, Thermistor				29		Adapter, Slide
9	W11468934	Light Module, LED	19	M0500703	Seal		W10284684	Left Hand
10	W10802332	Shaft, Rack	20	A3189396	Gasket		W10284685	Right Hand
11	W10308416	Cover, Evaporator	21	B8381501	Gasket, Drain	30	12990501	Screw
12	12990511	Screw	22	13024803	Grille, Freezer Air	31	W11525253	Assembly, Complete Icemaker
13	W10150583	Grommet, Fan Motor	23	13057901	Shroud, Evaporator Fan			

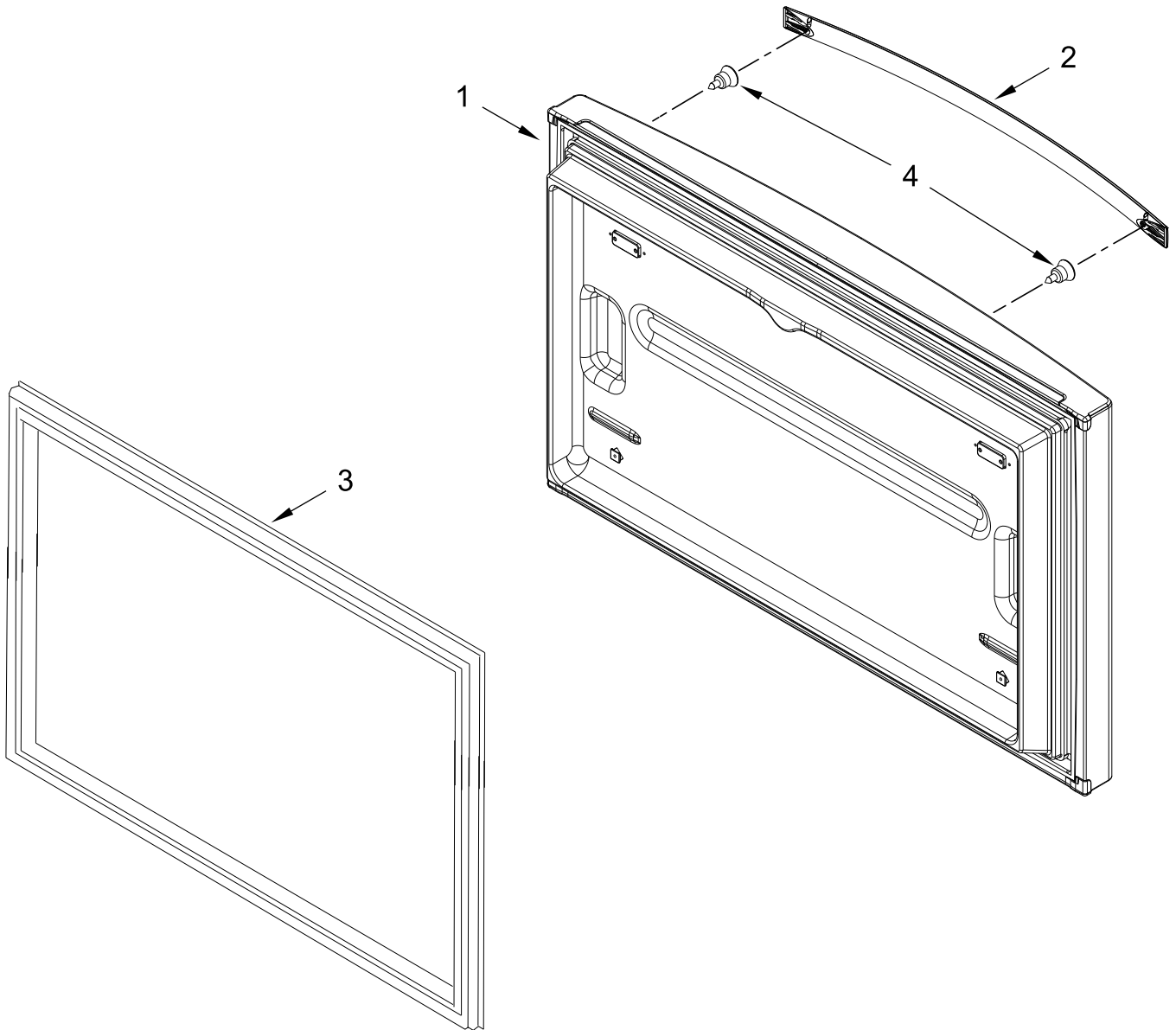
REFRIGERATOR DOOR PARTS



REFRIGERATOR DOOR PARTS

<u>Illus. No.</u>	<u>Part No.</u>	<u>Description</u>	<u>Illus. No.</u>	<u>Part No.</u>	<u>Description</u>	<u>Illus. No.</u>	<u>Part No.</u>	<u>Description</u>
1		Door, Refrigerator	6		Mullion, Door	13	12996601	Clip, Bushing
		Left Hand		12722803APN	Grey	14		Latch, Door Closer
	W11622647	Stainless	7	12990204	Screw			Left Hand
2		Door, Refrigerator	8		Gasket, Door		W10833741	Grey
		Right Hand		W10830162	Grey	15		Latch, Door Closer
	W11377201	Stainless	9		Handle, Door			Right Hand
3		Closure, Door	10	W11045530	Stainless		W10833739	Grey
	12028505AP	Grey	11	12990504	Screw	16	W11698393	Bucket, Gallon
4	W11328753	Screw			Stop, Door	17	12990518	Screw
5	W11697423	Bucket, Medium	12	12968202AP	Grey			
				W10884773	Badge			

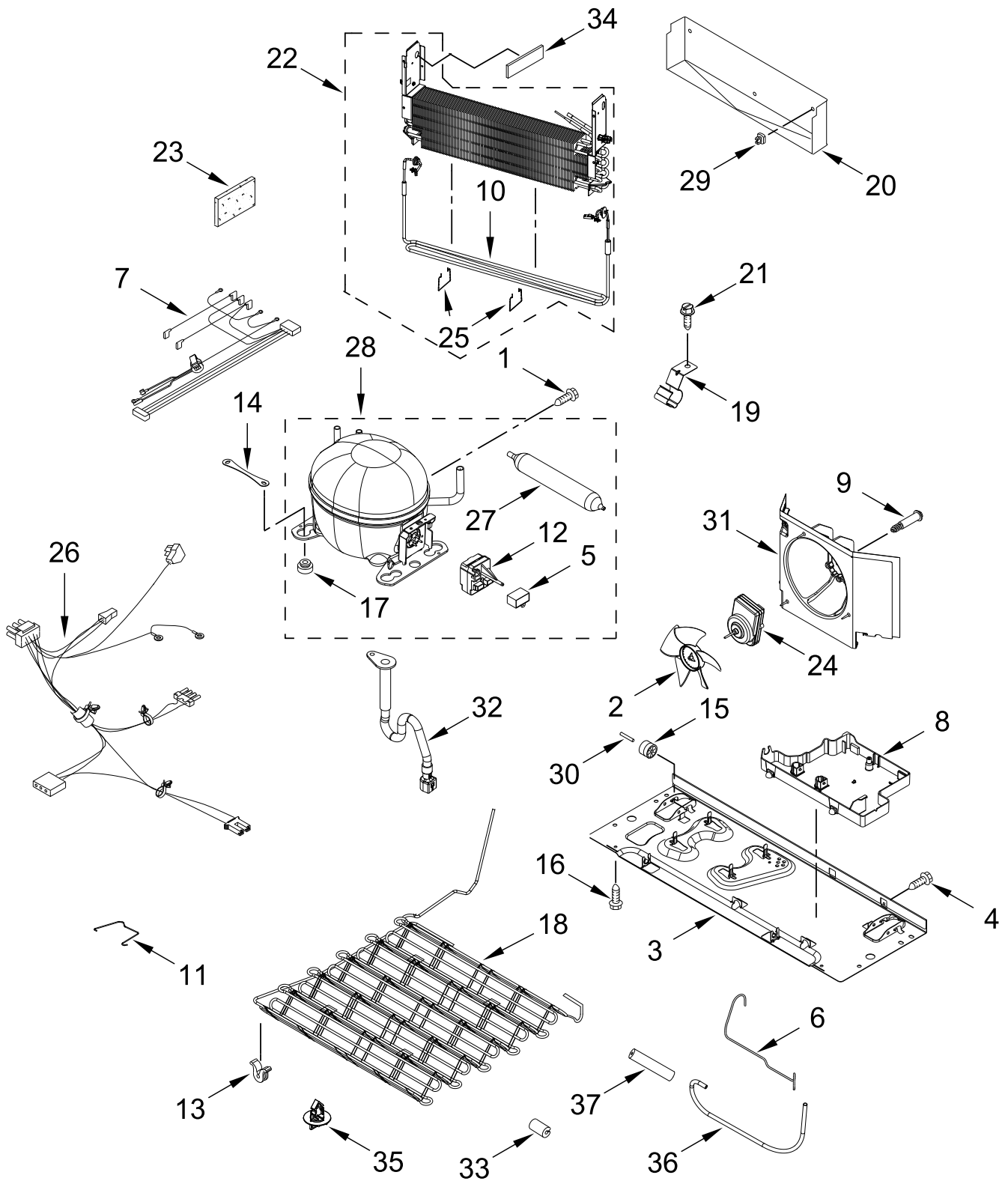
FREEZER DOOR PARTS



FREEZER DOOR PARTS

<u>Illus.</u> <u>No.</u>	<u>Part No.</u>	<u>Description</u>	<u>Illus.</u> <u>No.</u>	<u>Part No.</u>	<u>Description</u>	<u>Illus.</u> <u>No.</u>	<u>Part No.</u>	<u>Description</u>
1	W11377193	Door, Freezer Stainless	2	W11115761	Handle, Door Stainless	3	W10443320	Gasket, Door Grey
						4	W11328753	Screw

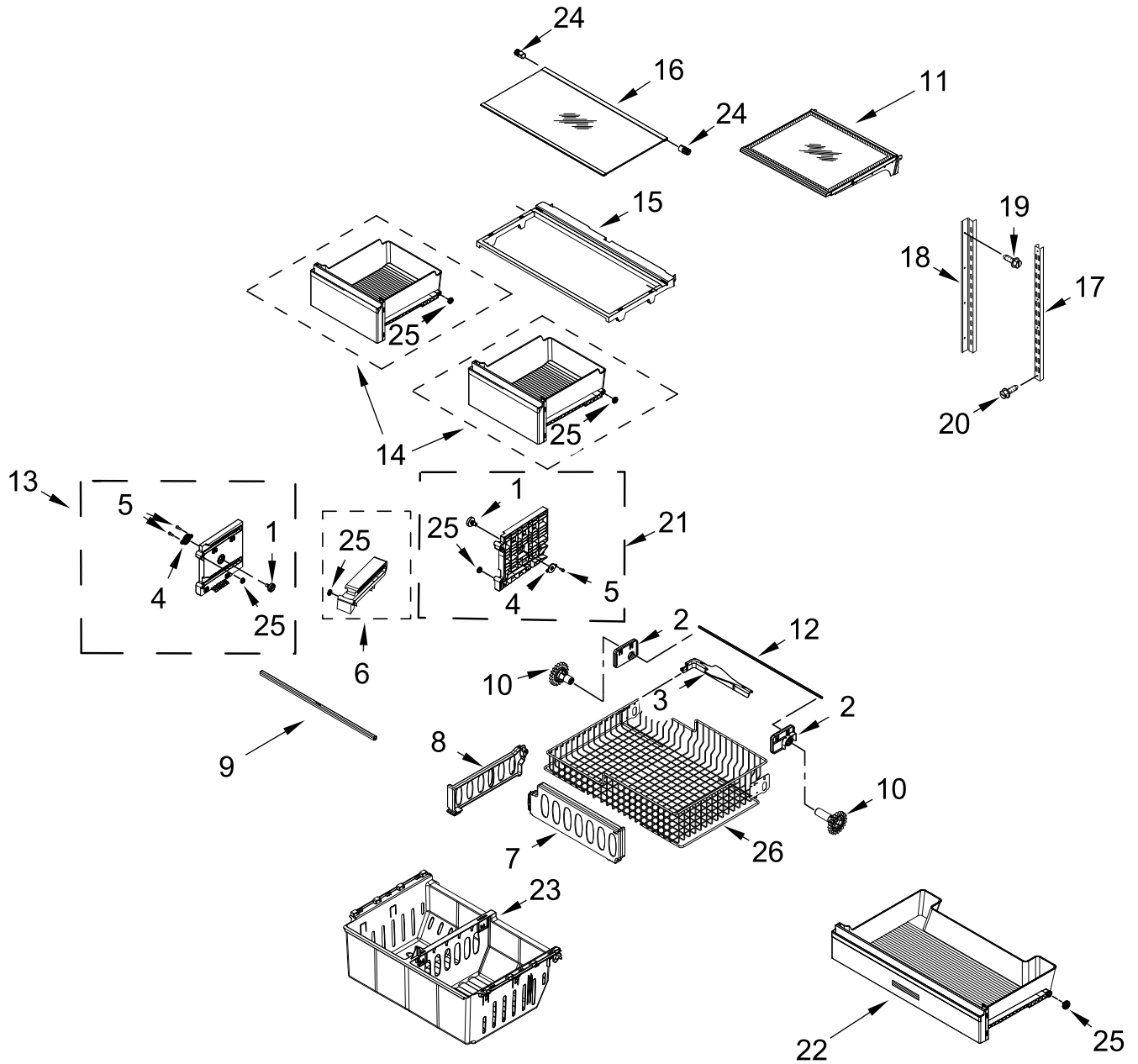
UNIT PARTS



UNIT PARTS

<u>Illus.</u> <u>No.</u>	<u>Part No.</u>	<u>Description</u>	<u>Illus.</u> <u>No.</u>	<u>Part No.</u>	<u>Description</u>	<u>Illus.</u> <u>No.</u>	<u>Part No.</u>	<u>Description</u>
1	12992301	Screw	20	W11337767	Tray, Drip	28	W11332031	Compressor (Also Order the Following Lokring™ Parts)
2	12825803	Blade, Fan	21	12990701	Screw			
3	W11604794	Basepan	22	W11515437	Assembly, Evaporator and Heater			
4	12990511	Screw			(Also Order the Following Lokring™ Parts)		W11504416	8.5/6 NR MS 00 (Suction Tube to Compressor)
5	W10350564	Capacitor		W11504423	8/2 NR AL 00 (Capillary Tube to Evaporator)		W11504431	7/5 NR MS 00 (Discharge Tube to Compressor)
6	W11566589	Tube, Discharge		W11504415	8.5/8 NR MS 00 (Suction Line to Evaporator)		W11506621	6 NK MS 00 (Charging Tube to Compressor)
7	W11305540	Harness, Evaporator Heater	23	2169104	Insulation, Sound Deadening		W11506635	Tube, Charging (1/4 in w/ Schrader Valve)
8	W10655368	Pan, Drain	24	W11505534	Motor, Condenser Fan	29	10623002	Clip, Evaporator
9	W10622701	Screw	25	W11380964	Clip, Heater	30	12477202	Axle, Roller
10	W11287565	Heater, Defrost	26	W11654036	Harness, Unit (Includes Power Cord)	31	W11463236	Shroud, Condenser Fan
11	W11379613	Strap, Bale	27	W10805035	Drier (Service Drier Without Dye)	32	W10622099	Extension, Drain Tube
12	W11359985	Device, Start			(Also Order the Following Lokring™ Parts)	33	2319835	Grommet, Condenser
13	W10137529	Grommet, Condenser		W11504445	5/4 NR MS 00 (Heat Loop to Drier)	34	W11244122	Gasket, Foam
14	W10236396	Strap, Compressor		W11504447	5/1.8 NR MS 00 (Capillary Tube to Drier)	35	W10815863	Clip, Condenser
15	12477102	Roller				36	W11566588	Tube, Suction
16	12992101	Screw				37	W10303521	Sleeve REFRIGERANT CHARGE 54 grams (R600a)
17	10835903	Grommet						
18	W11353137	Condenser (Also Order the Following Lokring™ Parts)						
	W11506623	5 NK MS 00 (Discharge Tube to Condenser)						
	W11504432	6/5 NR MS 00 (Heat Loop to Condenser)						
19	W10281329	Clip, Drier						

SHELF PARTS



SHELF PARTS

<u>Illus. No.</u>	<u>Part No.</u>	<u>Description</u>	<u>Illus. No.</u>	<u>Part No.</u>	<u>Description</u>	<u>Illus. No.</u>	<u>Part No.</u>	<u>Description</u>
1	W10840922	Knob, Side Support	10		Gear, Spur	21		Endcap, Pantry
2		Mount, Gear		W10474716	Left Hand		W11702400	Right Hand
	W10348259	Left Hand		W10474715	Right Hand	22	W11702374	Drawer, Pantry
	W10348260	Right Hand	11	W11697422	Shelf, Stationary	23	W10293682	Bin, Lower
3	W10149389N	Lift, Bail Arm	12	W10802333	Shaft, Rack	24	W11705308	Support, Crisper Frame
4	W10840918	Flange, Side Support	13		Endcap, Pantry	25	W11606482	Roller Assembly, Crisper
5	W10804977	Screw		W11702403	Left Hand	26	W11115256	Basket, Freezer (Upper)
6	W11702378	Assembly, Pan Center Support	14	W11694348	Pan Assembly, Crisper			
7	W10171558	Divider, Basket (Upper)	15	W11702691	Frame, Crisper			
8	W10241046	Divider, Basket (Upper)	16	W11694315	Glass, Pan Cover			
			17	W10273463	Ladder, Center			
			18	W10569182	Ladder, Side			
			19	12990513	Screw			
9	W11700717	Brace, Crisper Support	20	W10215666	Screw			

OPTIONAL PARTS

<u>Illus.</u> <u>No.</u>	<u>Part No.</u>	<u>Description</u>
		TOUCH-UP PAINT
W10134625		Apollo Grey
		MISCELLANEOUS
212643		Sealer, Gum (4 Feet)
479502		Tape, Vinyl (3/4 x 108")
876370		Insulation (2 Pieces, 3" x 24" x 48")
876305		Insulation Kit (14 Pieces, 3" x 24" x 48")
978941		Insulation, Fiberglass (63 1/2" x 35 1/2" x 2 5/8")
876029		Kit, Foam Slab (30" x 32 1/2" x 1 1/2")
505587		Sealer, Mastic (1 Qt)
503695		Cork, Sealer
542638		Grease, Silicone (1/2 Oz.)
542639		Cement, Alumilastic (1 1/4 Oz.)
833938		Kit, Terminal Connector
8003RP		Kit, Water Inlet
		TORX SCREW WRENCH
1117510		Torx Key