



REFRIGERATOR

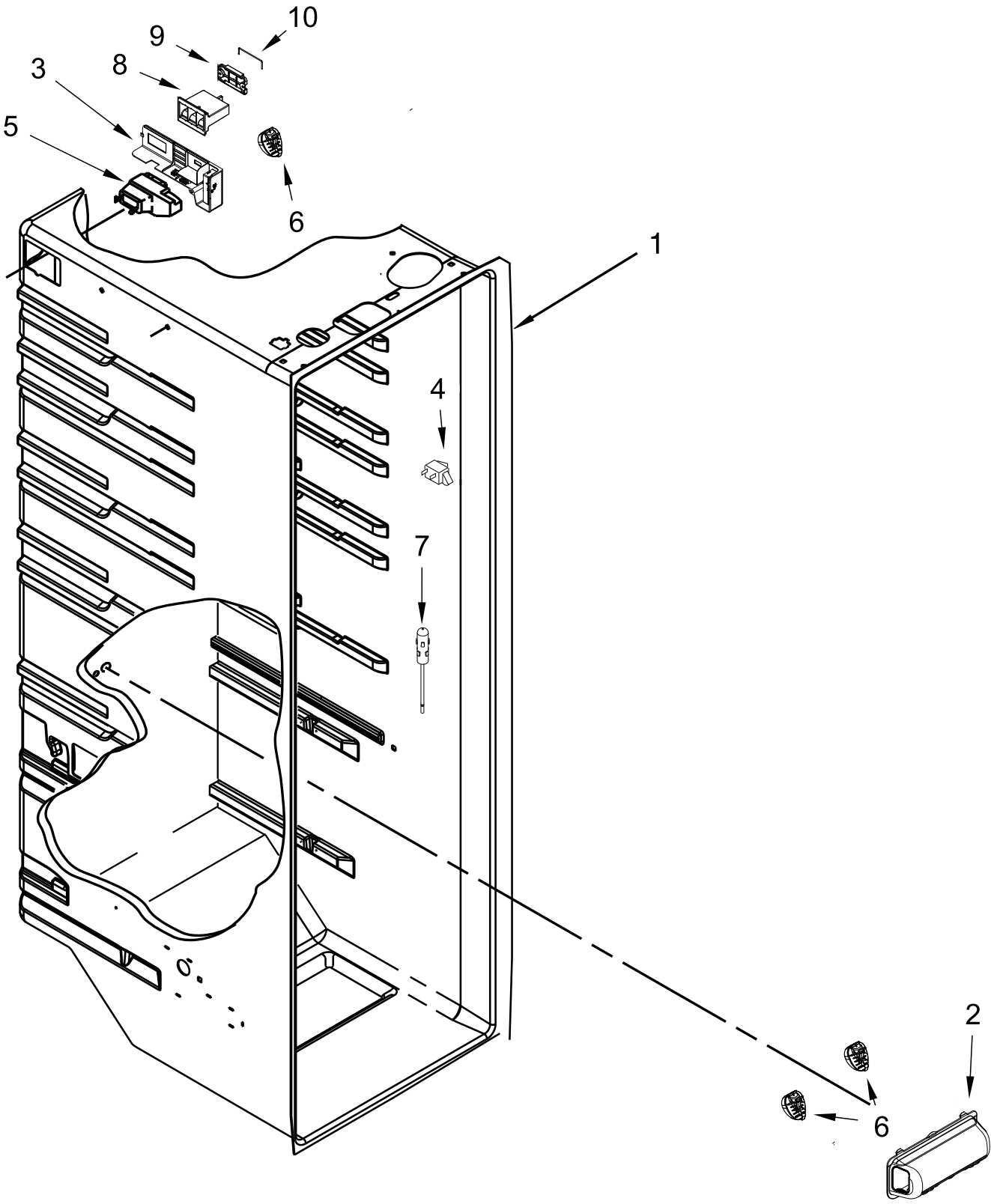
MODELS:

WRS312SNHM08 (Stainless)

CABINET PARTS

<u>Illus. No.</u>	<u>Part No.</u>	<u>Description</u>	<u>Illus. No.</u>	<u>Part No.</u>	<u>Description</u>	<u>Illus. No.</u>	<u>Part No.</u>	<u>Description</u>
1		Literature Parts	9		Hinge, Top	18	W10290781	Screw, Hinge
	W11484052	Use & Care Guide		W11167022	Left Hand	19		Cabinet (Not A Servicable Part)
	W11647248	Energy Guide		W11167023	Right Hand			
2		Assembly, Roller	10	W11095731	Closer, Door (Freezer)	20	W10905504	Closer, Lower Cam Door (Refrigerator)
	W10304660	Left Hand	11	W10308489	Screw (Grey)	21	489464	Screw
	W10304659	Right Hand	12	W10142234	Screw	22	W11424515	Fitting, Drain
3	W10141645	Screw	13	W11093938	Assembly, Bottom Hinge (Freezer)	23	W11404685	Extension, Drain Fitting
4	2150304	Roller				24	W11613262	Cover, Unit
5	2262072	Axle, Roller	14	3400113	Screw	25	W11097327	Assembly, Bottom Hinge (Refrigerator - Also includes Door Cam)
6	2155013	Clip, Grille	15	2152958	Screw			
7	W11036715	Plate, Screw (Refrigerator)	16		Filler, Wrapper			
	W10904380	Plate, Screw (Freezer)		W11219642	Grey			
8	W11087168	Clip, Roller	17		Grille			
				W11226352	Grey	26	W11234470	Clamp, Plastic

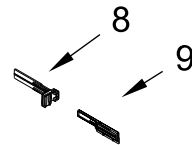
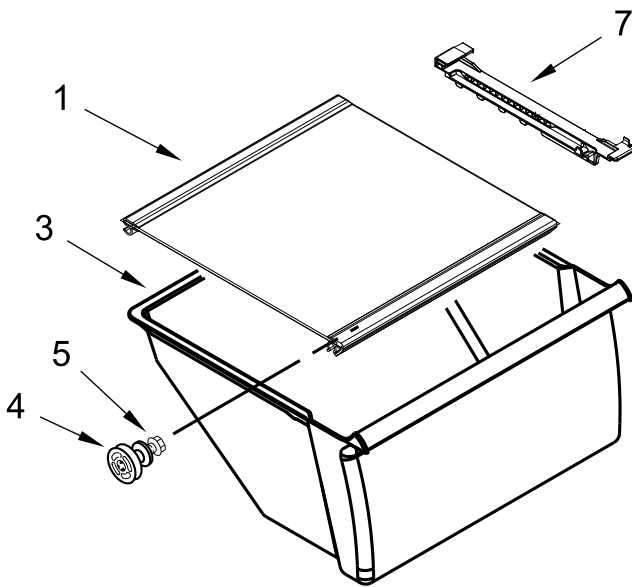
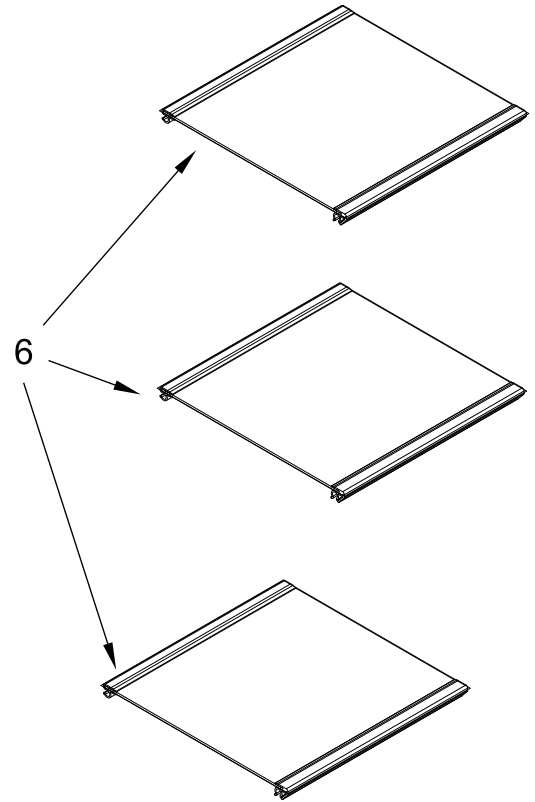
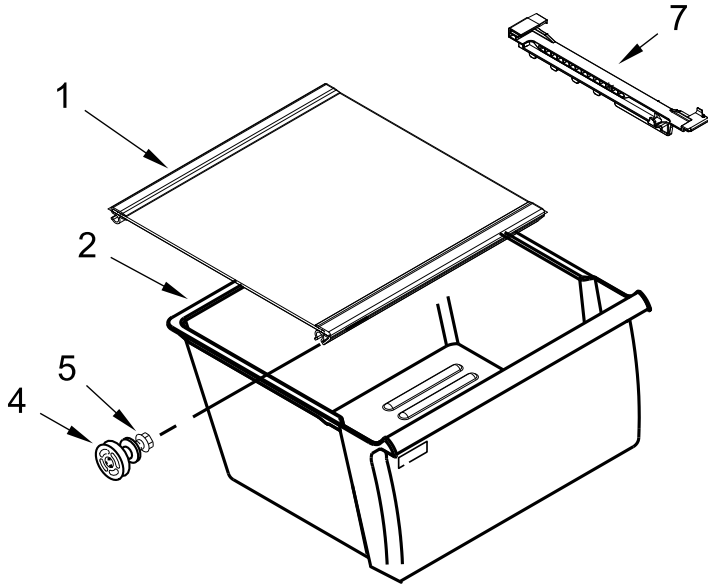
REFRIGERATOR LINER PARTS



REFRIGERATOR LINER PARTS

<u>Illus.</u> <u>No.</u>	<u>Part No.</u>	<u>Description</u>	<u>Illus.</u> <u>No.</u>	<u>Part No.</u>	<u>Description</u>	<u>Illus.</u> <u>No.</u>	<u>Part No.</u>	<u>Description</u>
1		Liner (Not A Serviceable Part)	4	W10847853	Switch, Rocker	8	W10901825	Slider, Housing
			5	W11264792	Diffuser, Air	9	W10901827	Slider
2	W10166130	Lens, Light (Includes Gasket)	6	W11549780	Light Module, LED	10	W10901826	Connecting Rod
3	W11541365	Control, Electronic	7	W10384183	Thermistor			

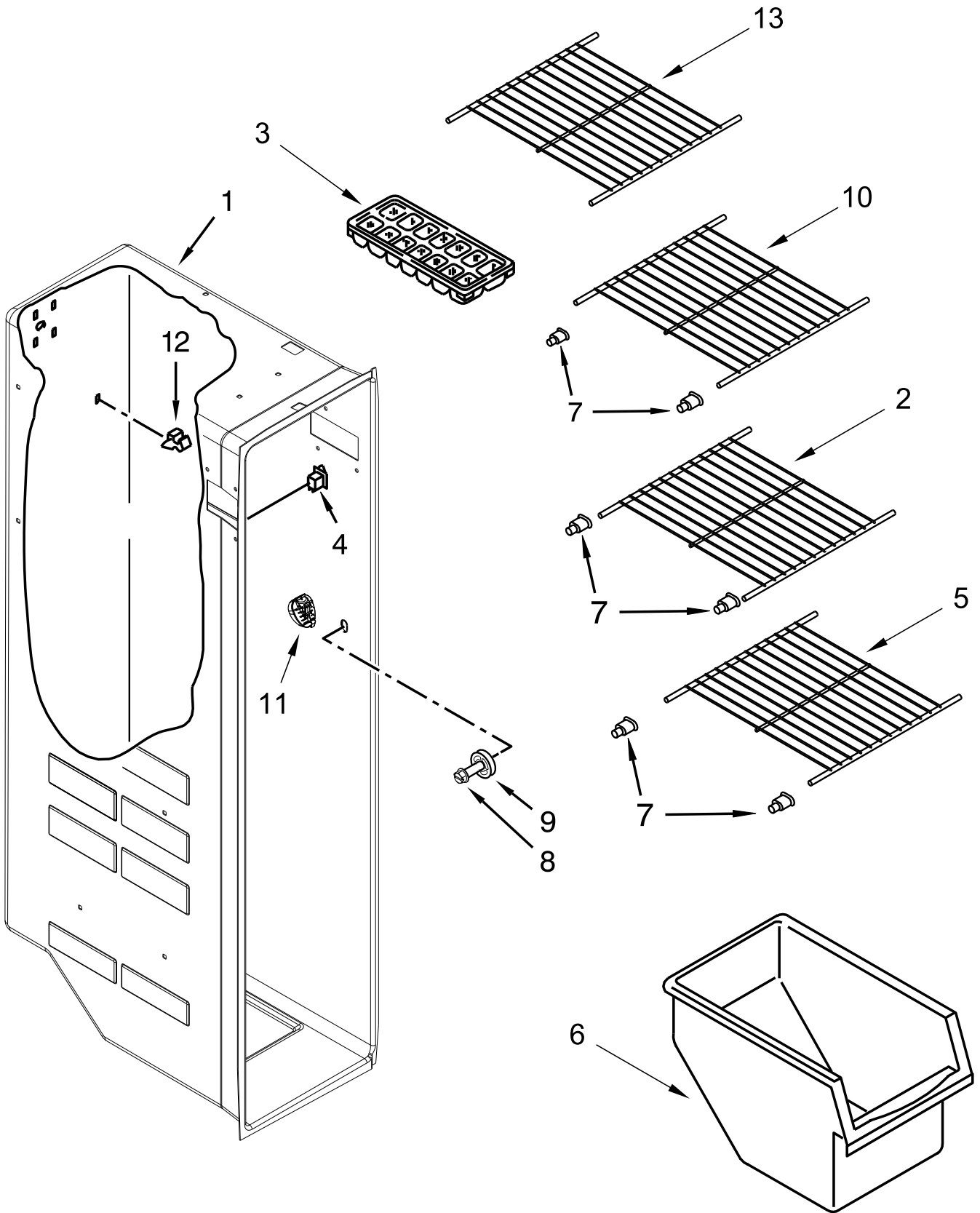
REFRIGERATOR SHELF PARTS



REFRIGERATOR SHELF PARTS

<u>Illus.</u> <u>No.</u>	<u>Part No.</u>	<u>Description</u>	<u>Illus.</u> <u>No.</u>	<u>Part No.</u>	<u>Description</u>
1	W11495083	Assembly, Cover	7	W11495059	Track, Holder (Left Hand)
2	W11046494	Pan, Crisper			
3	W11046495	Pan, Meat		W11495062	Track, Holder (Right Hand)
4	W10173126	Assembly, Shelf Stud			
5	W10191954	Screw	8	W10282883	Slide, Humidity
6	W11135529	Assembly, Shelf	9	W10282880	Housing, Humidity

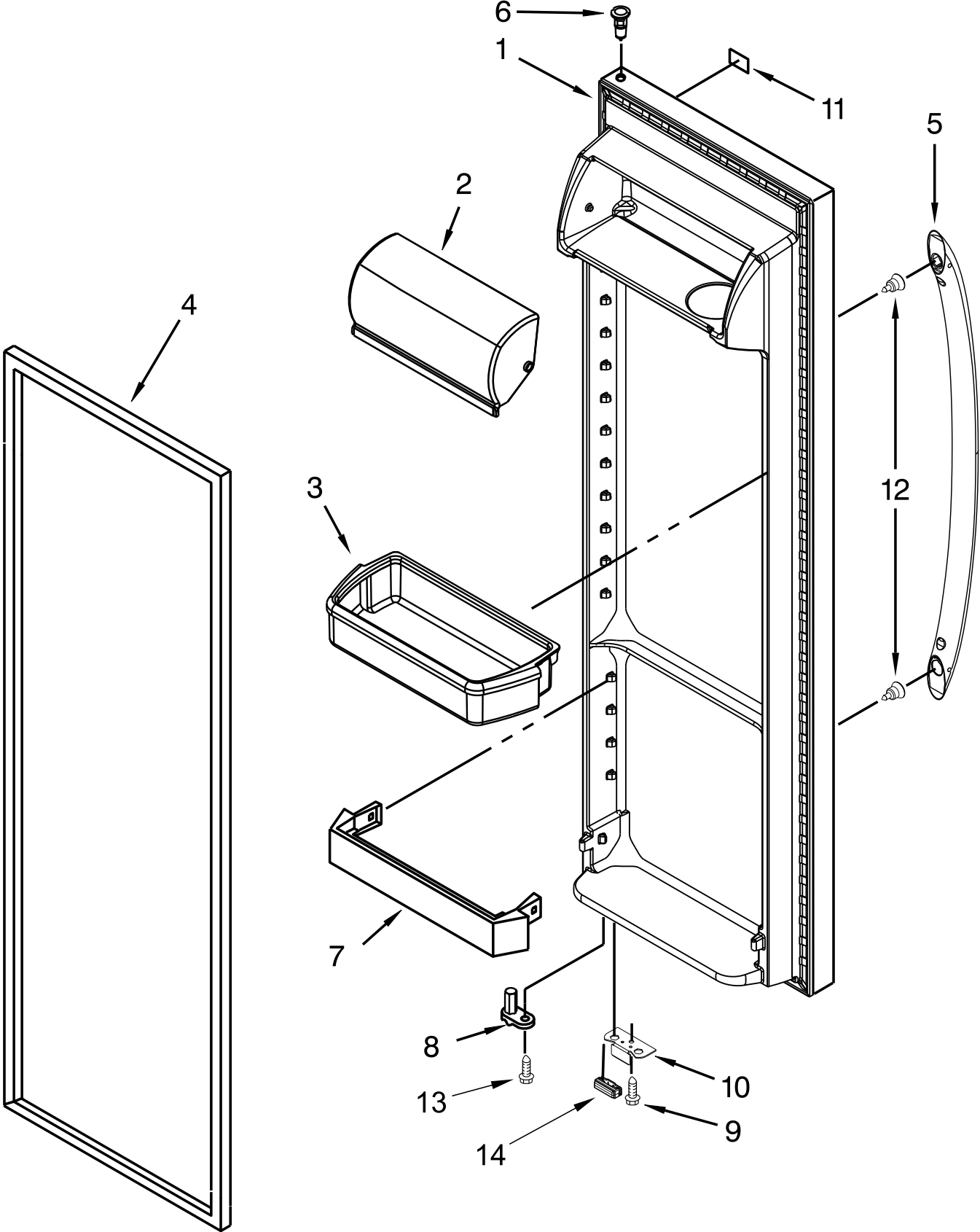
FREEZER LINER PARTS



FREEZER LINER PARTS

<u>Illus.</u> <u>No.</u>	<u>Part No.</u>	<u>Description</u>	<u>Illus.</u> <u>No.</u>	<u>Part No.</u>	<u>Description</u>	<u>Illus.</u> <u>No.</u>	<u>Part No.</u>	<u>Description</u>
1		Liner (Not A Serviceable Part)	6	2309758	Bin, Freezer	12	2315163	Clip, Air Duct
2	W10318953	Shelf, Wire	7	W10130299	Cup, Shelf	13	W10318949	Shelf, Wire
3	2151664	Tray, Ice	8	W10191954	Screw			
4	W10847853	Switch, Rocker	9	2196208	Assembly, Stud			
5	W10318952	Shelf, Wire	10	W10318960	Shelf, Wire (Short)			
			11	W11549780	Light Module, LED			

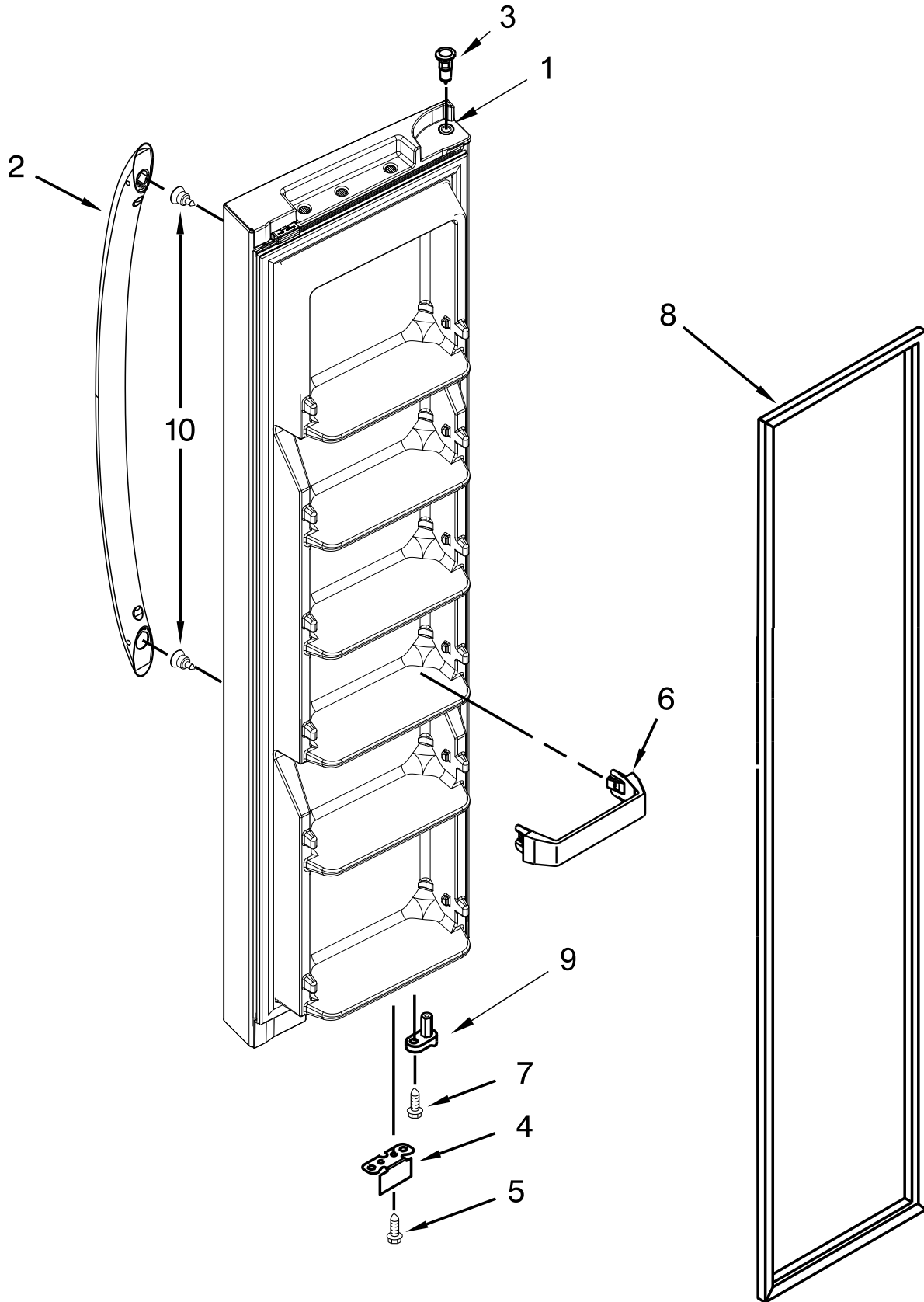
REFRIGERATOR DOOR PARTS



REFRIGERATOR DOOR PARTS

<u>Illus.</u> <u>No.</u>	<u>Part No.</u>	<u>Description</u>	<u>Illus.</u> <u>No.</u>	<u>Part No.</u>	<u>Description</u>	<u>Illus.</u> <u>No.</u>	<u>Part No.</u>	<u>Description</u>
1		Door, Refrigerator (Includes Door Gasket)	5		Handle	12	W10460893	Screw
	W11259517	Stainless		W11289640	Stainless	13	W10296804	Screw
2	2256101	Door, Compartment	6	2200087	Thimble	14		Bumper, Door
3	W10900538	Bin, Door	7	2309941	Trivet		W10407188	Grey
4		Gasket, Door	8	W10900464	Thimble, Cam			
	W10912318	Grey	9	W10296816	Screw			
			10	W11481760	Bracket, Door Stop			
			11	W10884773	Badge			

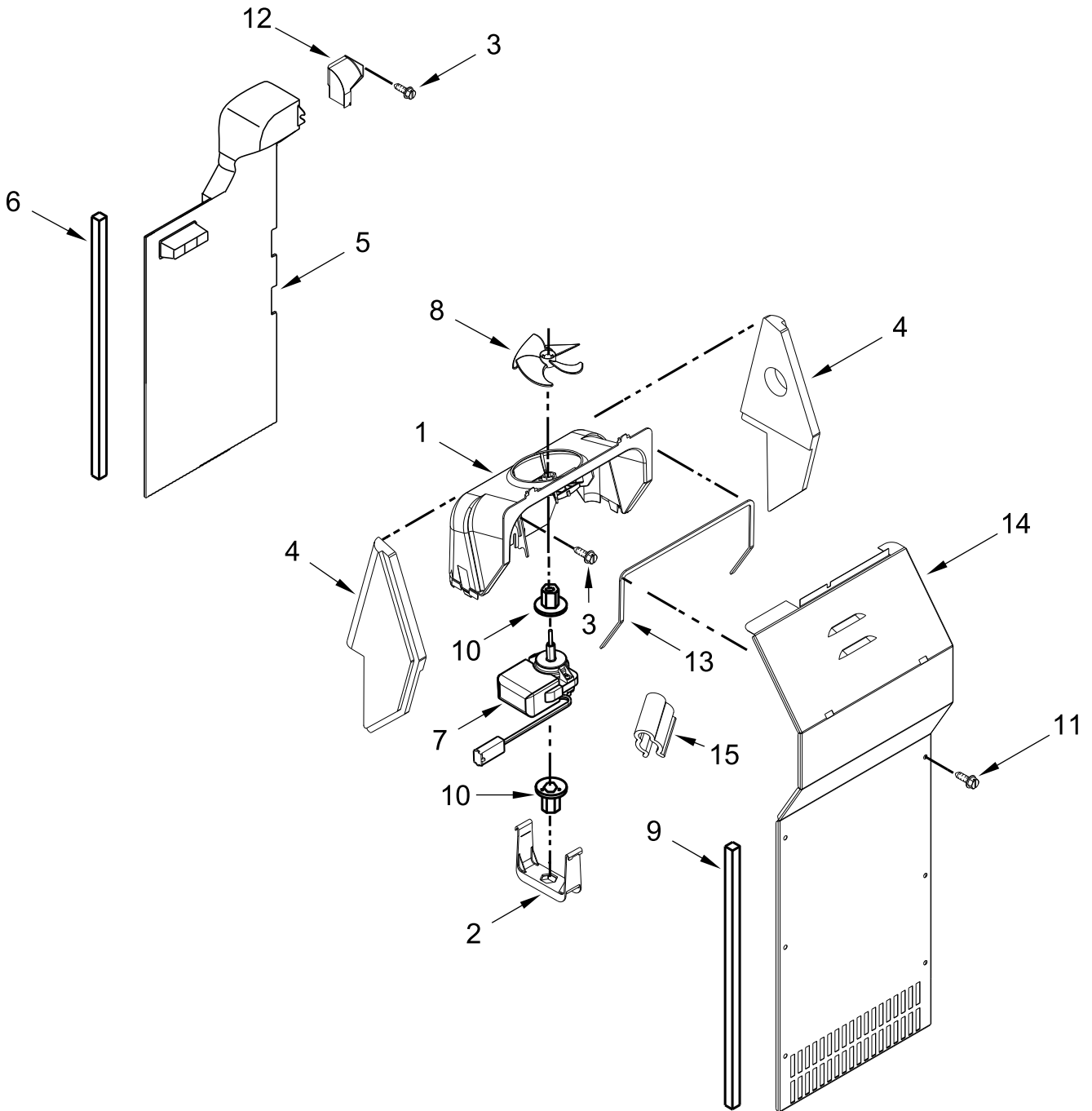
FREEZER DOOR PARTS



FREEZER DOOR PARTS

<u>Illus.</u> <u>No.</u>	<u>Part No.</u>	<u>Description</u>	<u>Illus.</u> <u>No.</u>	<u>Part No.</u>	<u>Description</u>	<u>Illus.</u> <u>No.</u>	<u>Part No.</u>	<u>Description</u>
1		Door, Freezer (Includes item 8)	3	2200087	Thimble	8		Gasket, Door
	W11258471	Stainless	4	W11481757	Bracket, Door Stop		W10911461	Grey
2		Handle	5	W10296804	Screw	9	W10900532	Thimble, Cam
	W11289640	Stainless	6	2309717	Trim, Door	10	W10460893	Screw
			7	W10308489	Screw (Grey)			

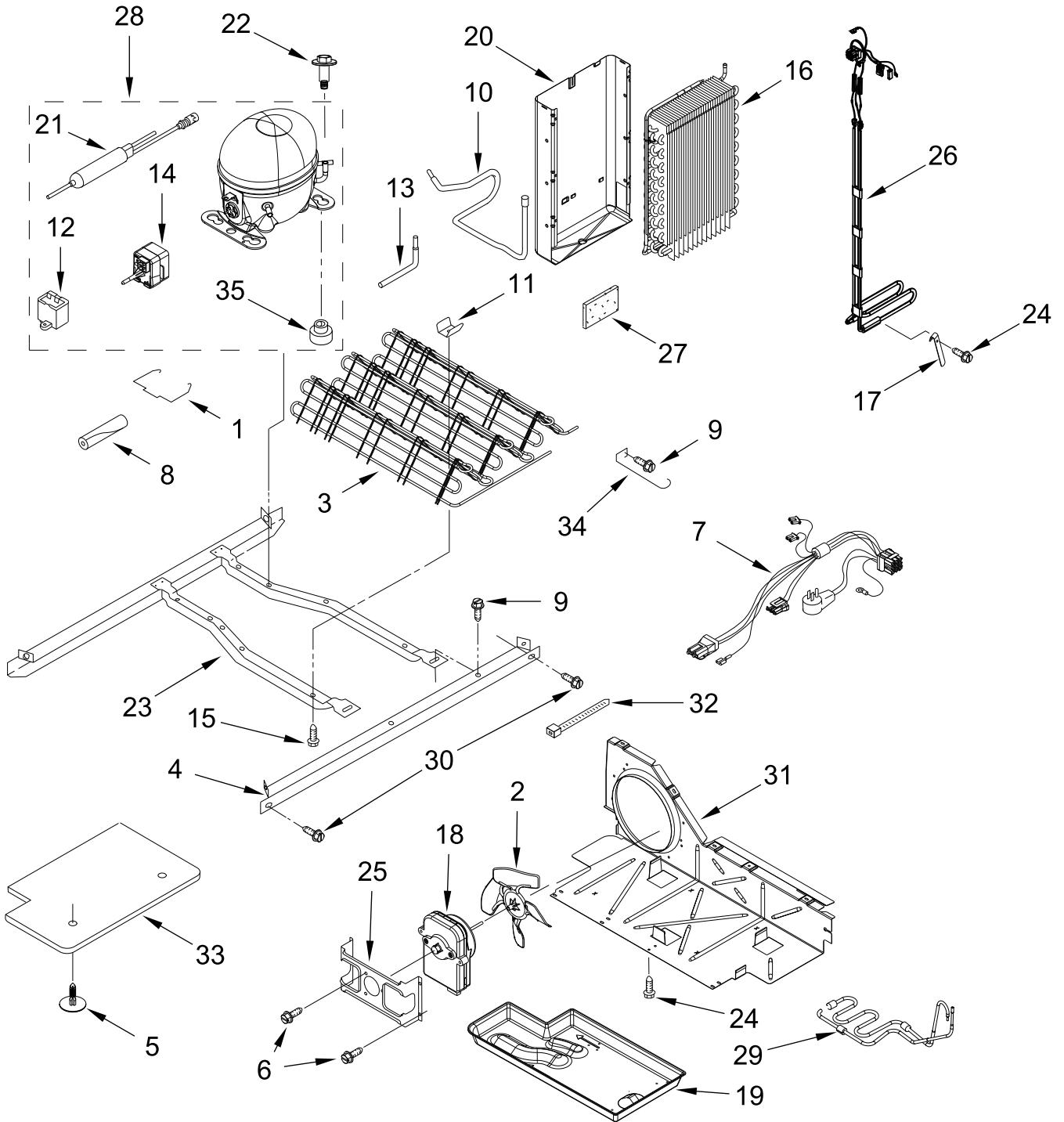
AIR FLOW PARTS



AIR FLOW PARTS

<u>Illus.</u> <u>No.</u>	<u>Part No.</u>	<u>Description</u>	<u>Illus.</u> <u>No.</u>	<u>Part No.</u>	<u>Description</u>	<u>Illus.</u> <u>No.</u>	<u>Part No.</u>	<u>Description</u>
1	W11228728	Scroll, Fan	6	2203875	Gasket, Air Duct	13	2155788	Gasket, Scroll Assembly
2	W10188846	Retainer, Fan Motor	7	2315549	Motor, Fan	14	W10463012	Cover, Evaporator
3	489478	Screw	8	2169142	Blade, Fan	15	W11437914	Clip, Evaporator Thermistor
4		Support, Fan Scroll	9	2304241	Gasket			
	W11414496	Left Hand	10	2176759	Grommet, Motor			
	W11414497	Right Hand	11	W10142292	Screw			
5	2203592	Duct, Freezer Air	12	2161229	Scoop, Air			

UNIT PARTS



UNIT PARTS

<u>Illus.</u> <u>No.</u>	<u>Part No.</u>	<u>Description</u>	<u>Illus.</u> <u>No.</u>	<u>Part No.</u>	<u>Description</u>	<u>Illus.</u> <u>No.</u>	<u>Part No.</u>	<u>Description</u>
1	W11495051	Strap, Bale	16	W11357917	Evaporator	26	W11573115	Assembly, Defrost Heater and Evaporator Fan Harness (Includes Thermal Fuse)
2	2225834	Blade, Fan			(Also Order the Following Lokring™ Parts)			
3	W11553540	Assembly, Condenser		W11504449	4/2 NR AL 00 (Capillary Tube to Evaporator)	27	2169104	Insulation, Sound Deadening
		(Also Order the Following Lokring™ Parts)		W11506619	8 NK MS 00 (Suction Line to Evaporator)	28	W11663223	Compressor (Also Order the Following Lokring™ Parts)
	W11506623	5 NK MS 00 (High Side to Condenser)		W11399989	Heat Probe		W11504415	8.5/8 NR MS 00 (Suction Tube to Compressor)
	W11504445	5/4 NR MS 00 (Suction Line to Condenser)	17	W11546724	Motor, Condenser Fan		W11504431	7/5 NR MS 00 (High Pressure Side to Compressor)
4	W10905882	Rail, Unit Mounting	19	W11562498	Tray, Evaporator		W11506619	8 NK MS 00 (Process Tube to Compressor)
5	489396	Clip	20	W11400739	Assembly, Heat Shield and Drain Pan	29	W11442858	Assembly, Precooler Formed
6	8533993	Screw			(Also Order the Following Lokring™ Parts)	30	489340	Bolt
7	W11229008	Harness, Unit (Includes Power Cord)	21	W10805035	Drier (Service Drier Without Dye)	31	W10896764	Baffle, Air
8	W10303521	Sleeve		W11504433	6/4 NR MS 00 (Heat Loop to Drier)	32	2263990	Tie, Wire
9	489427	Screw		W11504447	5/1.8 NR MS 00 (Capillary Tube to Drier)	33	W10905883	Assembly, Unit Cover (Bottom)
10	W11506458	Tube, Suction	22	W10476309	Screw	34	1105612	Guard, Fan
11	2311725	Clip, Condenser	23	W10905880	Frame, Unit Mounting (Includes Unit Mounting Rail)	35	W10806346	Grommet, Compressor
12	W10590083	Capacitor						REFRIGERANT CHARGE
13	2325479	Tube, Process						64 grams (R600A)
14	W11359381	Device, Combination Start (Start Relay and Overload)	24	489464	Screw			
15	8281232	Screw	25	2181929	Bracket, Fan Mounting			

OPTIONAL PARTS

PAINT, PRESSURIZED SPRAY (12 OZ.)

<u>Illus. No.</u>	<u>Part No.</u>	<u>Description</u>
	350942	White Primer
	350939	Enamel, Black
	350930	White
	4392901	Biscuit and Bisque

PAINT, TOUCH-UP (1/2OZ.)

<u>Illus. No.</u>	<u>Part No.</u>	<u>Description</u>
	72017	White
	72032	Black
	4392899	Biscuit and Bisque
	W10134625	Apollo Grey

PAINT, BULK (1 QT.)

<u>Illus. No.</u>	<u>Part No.</u>	<u>Description</u>
	799344	White (Uncut)
	4392900	Biscuit/Bisque

MISCELLANEOUS

<u>Illus. No.</u>	<u>Part No.</u>	<u>Description</u>
	212643	Sealer, Gum (4 Feet)
	479502	Tape, Vinyl (3/4 x 108")
	505587	Sealer, Mastic (1 Qt)
	503695	Cork, Sealer
	542638	Grease, Silicone (1/2 Oz.)
	542639	Cement, Alumilastic (1 1/4 Oz.)
	833938	Kit, Terminal Connector
	8003RP	Kit, Water Inlet
	W10300794	Kit, Handle Installation

TORX SCREW WRENCH

<u>Illus. No.</u>	<u>Part No.</u>	<u>Description</u>
	1117510	Torx Key