

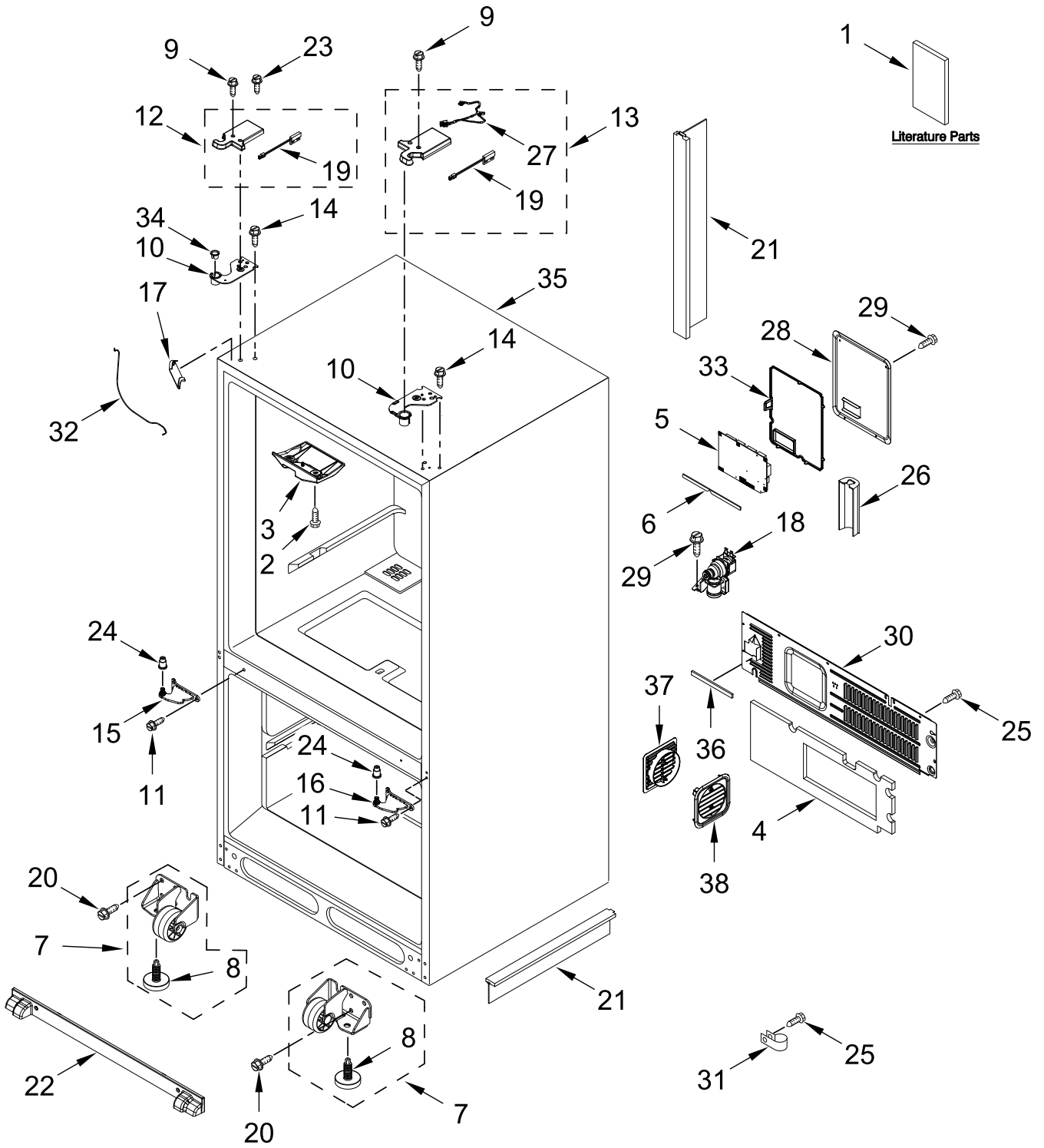


REFRIGERATOR

MODELS:

WRFC9636RZ00 (Stainless Steel)

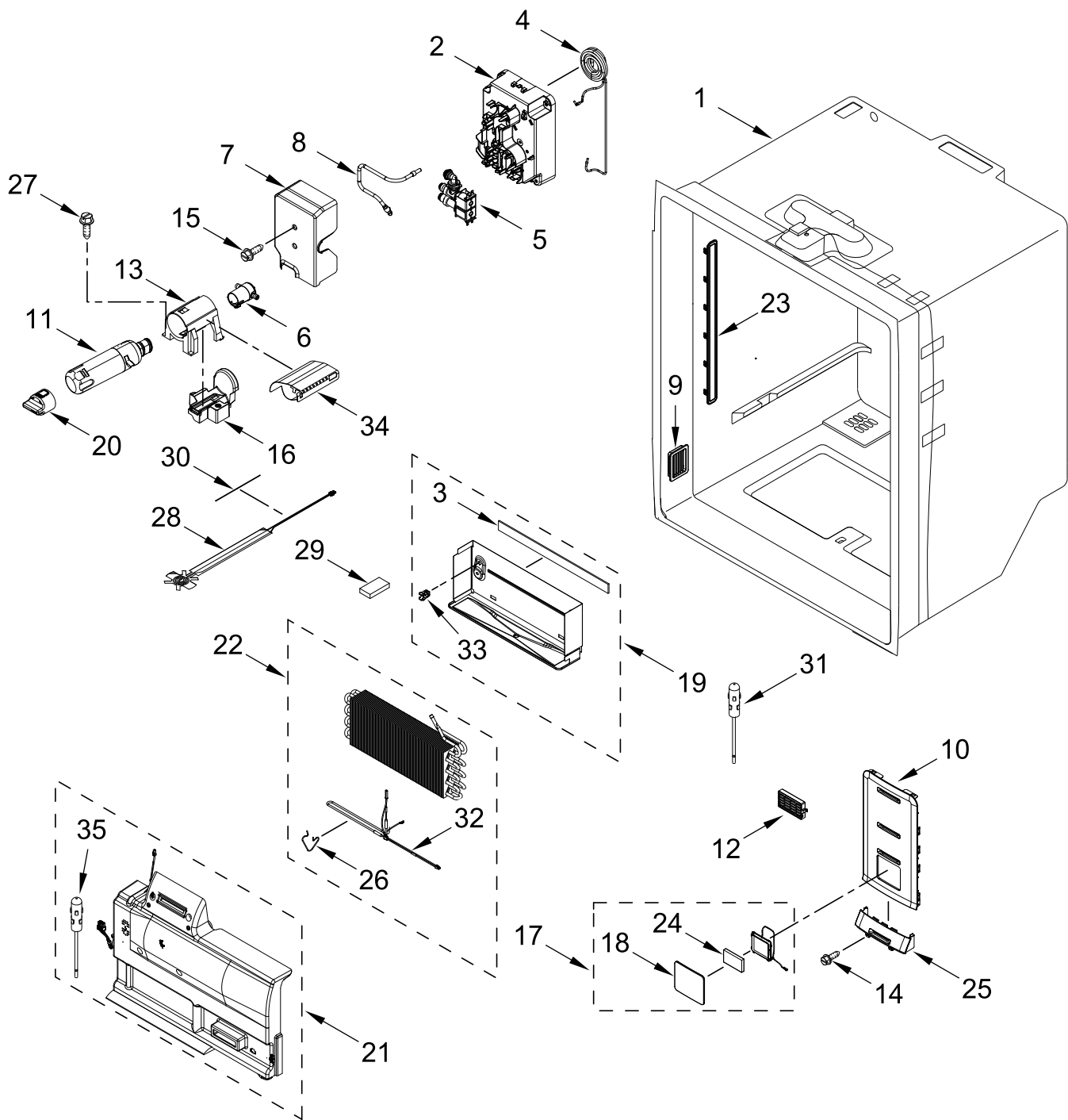
CABINET PARTS



CABINET PARTS

<u>Illus. No.</u>	<u>Part No.</u>	<u>Description</u>	<u>Illus. No.</u>	<u>Part No.</u>	<u>Description</u>	<u>Illus. No.</u>	<u>Part No.</u>	<u>Description</u>
1		Literature Parts Tech Sheet	13		Cover, Top Hinge Right Hand	28	W10754144	Cover, Control Box
	W11624280	English		W11535400	Grey	29	12990702	Screw
	W11624281	French	14	W10731474	Screw	30	W11502635	Cover, Unit
	W11509210	Owners Manual	15		Hinge, Center Left Hand	31	M0108107	Clamp, Tube
	W11695087	Energy Guide		W10816322	Grey	32	W11518273	Tube, Icemaker Water (Includes Seal)
2	12990302	Screw			Hinge, Center Right Hand		W11391304	Tube, Dispenser Water (Includes Seal)
3	W10840310	Block, Pivot	16		Grey	33	W10768379	Lid, HV
4	W11503404	Pad, Sound		W10816323	Grey	34	W10705239	Retainer, Door
5	W11619791	Control, Electronic	17		Cover, Corner	35		Cabinet (Not a Servicable Part)
6	W10415341	Gasket, HV Box		W10868482	Grey	36	W11243631	Gasket
7		Assembly, Roller	18	W11422853	Valve, Water	37		Assembly, Outer Air Tunnel (Includes Gasket)
	W11084045	Left Hand	19	W11528491	Switch, Reed		W10838744	Grey
	W11084046	Right Hand	20	W10709365	Screw	38		Assembly, Inner Air Tunnel (Includes Gasket)
8	W10846099	Brake, Roller	21		Divider, Air		W10838745	Grey
9	12990521	Screw		W11449545	Rear (Short)			
10		Hinge, Top		W10878920	Bottom			
	W11032616	Left Hand	22		Grille, Toe			
	W11032620	Right Hand		W10821309	Grey			
11	W10673840	Screw (Stainless)	23	12992601	Screw			
12		Cover, Top Hinge Left Hand (Includes Foil)	24	W10831587	Bushing			
	W11528782	Grey	25	W10141645	Screw			
			26	W10208592	Cover, Valve			
			27	W11535396	Assembly, Hinge Wire			

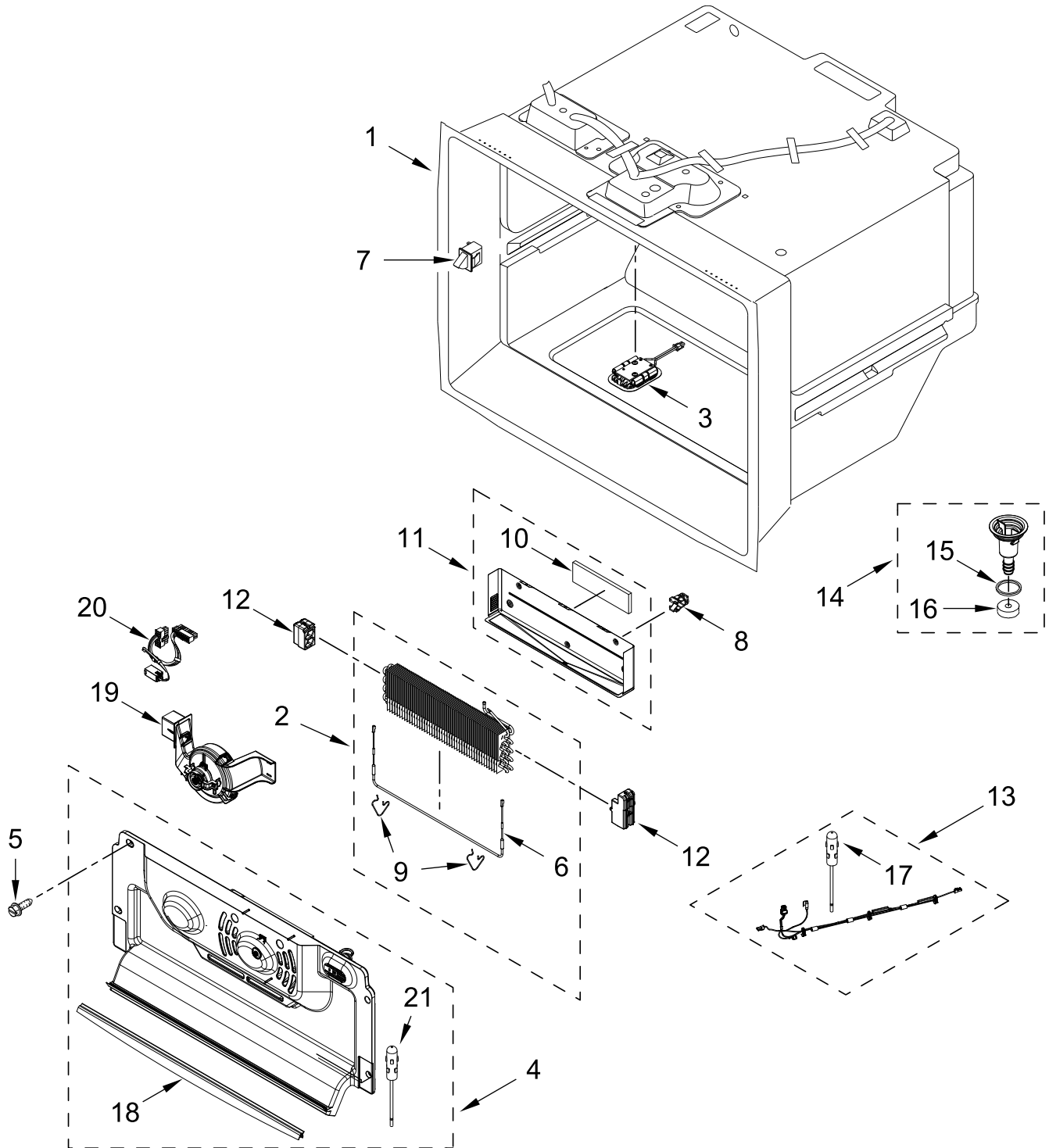
REFRIGERATOR LINER PARTS



REFRIGERATOR LINER PARTS

<u>Illus. No.</u>	<u>Part No.</u>	<u>Description</u>	<u>Illus. No.</u>	<u>Part No.</u>	<u>Description</u>	<u>Illus. No.</u>	<u>Part No.</u>	<u>Description</u>
1		Liner (Not A Serviceable Part)	16	W11348541	Insulation, Under Filter	25	W10716179	Base, Tower Cover
2	W10708473	Housing, Water Tank	17	W10766881	Assembly, Air Filter	26	W11493401	Clip, Evaporator Heater
3	W10921470	Gasket, Heat Shield	18	W10704470	Cover, Air Filter	27	12990501	Screw
4	W11451365	Reservoir, Water (Includes Filter Heater, Wire Ties, and Sealing Gaskets)	19	W11090564	Assembly, Heat Shield	28	W11503903	Heater, Filter
5	W11422857	Valve, Dual Water	20	W10719253	Cap, Filter	29	W10818463	Gasket, Evaporator Air Dam
6	W11451366	Housing, Water Filter (Includes Filter Heater and Sealing Gaskets)	21	W11475755	Assembly, Evaporator Cover (Includes Fan Motor, Wire Assembly and Thermistor)	30	W10901792	Gasket, Sealing
7	W10900010	Cover, Water Valve	22	W11337778	Assembly, Evaporator (Also Order the Following Lokring™ Parts)	31	W10280385	Thermistor
8	W11517696	Tube, Water Filter		W11504450	4/1.8 NR MS 00 (Capillary Tube to Evaporator)	32	W11485746	Heater, Defrost
9	W10718061	Cover, Cooling Duct		W11506619	8 NK MS 00 (Suction Line to Evaporator)	33	10623002	Clip, Evaporator
10	W11259413	Cover, Tower				34	W11307147	Cover, Filter
11	W10680605	Filter, Water				35	W11430953	Evaporator Thermistor with Clip
12	W10315189	Filter, Air						FOLLOWING PARTS NOT ILLUSTRATED
13	W10708474	Bracket, Filter	23	W11381922	Assembly, Side Lamp		W11440889	Assembly, Valve Wire
14	W10119266	Screw	24	W10831305	Insulator, Foam			
15	12990518	Screw						

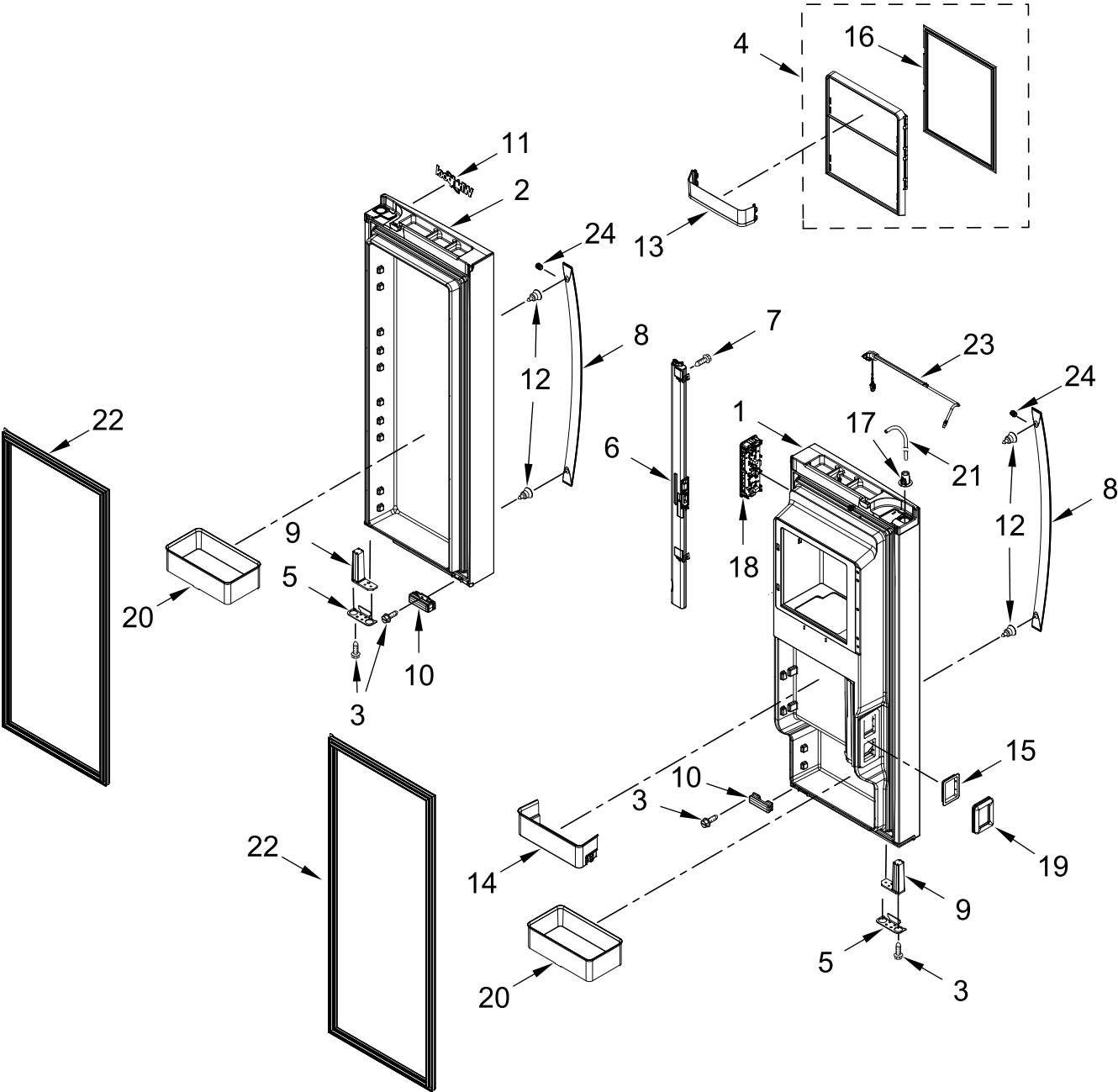
FREEZER LINER PARTS



FREEZER LINER PARTS

<u>Illus.</u> <u>No.</u>	<u>Part No.</u>	<u>Description</u>	<u>Illus.</u> <u>No.</u>	<u>Part No.</u>	<u>Description</u>	<u>Illus.</u> <u>No.</u>	<u>Part No.</u>	<u>Description</u>
1		Liner (Not A Serviceable Part)	4	W11209447	Assembly, Evaporator Cover (Includes Fan Motor and Wire Assembly)	13	W11410826	Assembly, Evaporator Heater Wire (Includes Thermistor)
2	W11394385	Assembly, Evaporator (Also Order the Following Lokring™ Parts)	5	12990511	Screw	14	W10503218	Assembly, Drain Funnel
	W11506620	8 NK AL 00 (Capillary Tube to Evaporator - Cut/Splice on Aluminum portion of old Evaporator)	6	W11384694	Heater, Defrost	15	M0500703	Seal
			7	W10847853	Switch, Rocker	16	B8381501	Gasket, Drain
			8	10623002	Clip, Evaporator	17	W10797088	Thermistor
			9	W11459749	Clip, Defrost Heater	18	W10770923	Seal, Crisp Front
			10	W10683540	Gasket, Drip Tray Rear	19	W11206828	Assembly, Icebox Fan
	W11506620	8 NK AL 00 (Suction Line to Evaporator)	11	W11483266	Shield, FC Heat	20	W10911358	Assembly, Evaporator Jumper Wire
			12		Dam, Air	21	W10280385	Thermistor
				W11483265	Left Hand			
3	W11228040	Assembly, LED Light Module		W10668198	Right Hand			

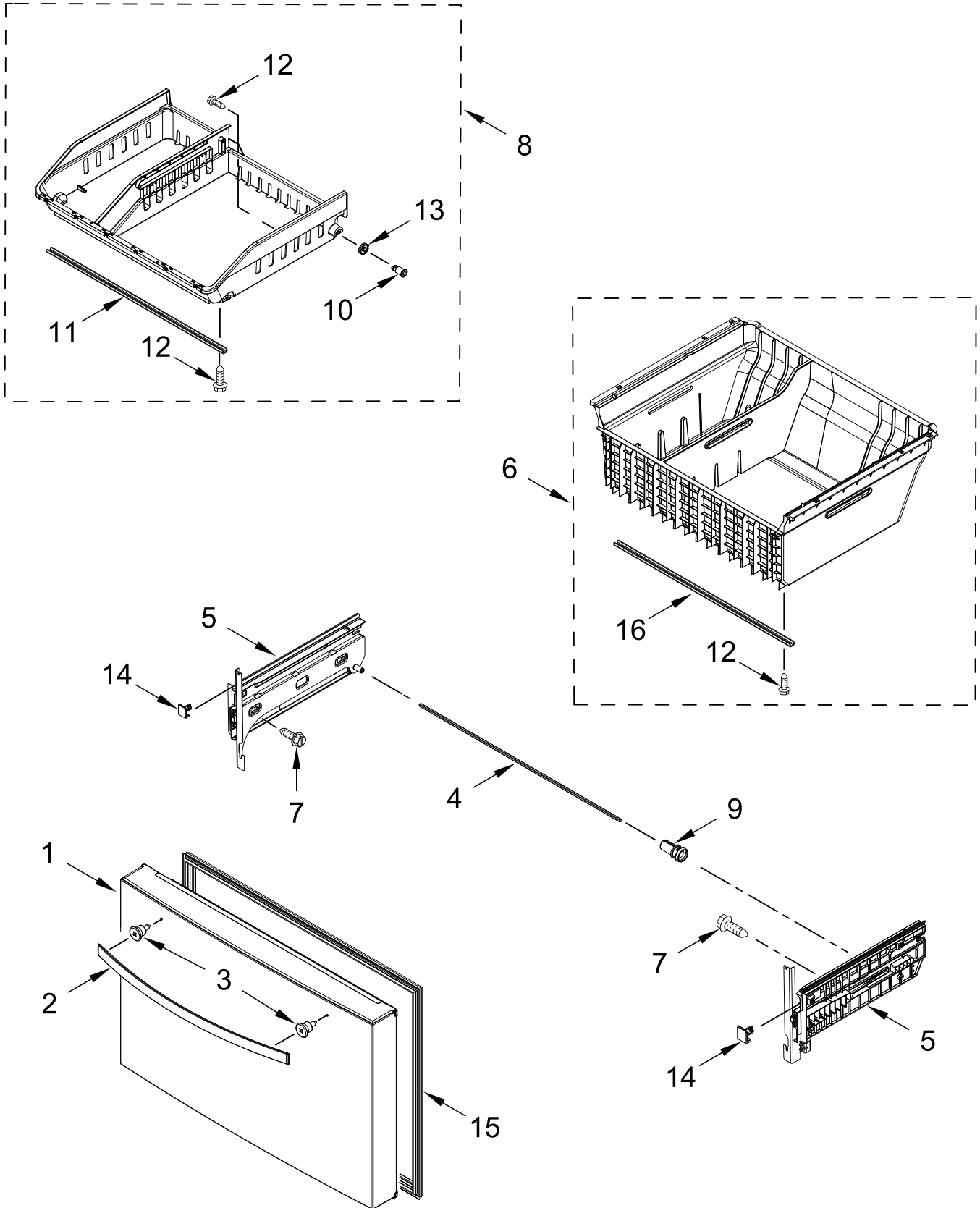
REFRIGERATOR DOOR PARTS



REFRIGERATOR DOOR PARTS

<u>Illus. No.</u>	<u>Part No.</u>	<u>Description</u>	<u>Illus. No.</u>	<u>Part No.</u>	<u>Description</u>	<u>Illus. No.</u>	<u>Part No.</u>	<u>Description</u>
1		Door, Refrigerator	9		Closer, Door	19	W10720073	Gasket, Cooling Duct
		Left Hand		W10714907	Left Hand	20		Bin, Door
	W11518047	Stainless (Also order item # 18)		W10714908	Right Hand		W10697272	Gallon, Half
			10		Bumper, Door	21	W11518276	Tube, Dispenser Water
				W10798308	Grey			
2		Door, Refrigerator	11	W10884773	Badge	22		Gasket, Door
		Right Hand	12	W11328753	Screw		W10917313	Grey
	W11429334	Stainless	13	W10697307	Trivet, Ice Compartment Door	23		Assembly, Fill Tube (Not Serviced, Included with LH Door)
3	W10238319	Screw						
4	W11554921	Assembly, Ice Door	14		Bin, Door	24	W10010140	Set Screw (Silver)
5	W10763415	Bracket, Door Stop		W10883264	Medium			
6		Mullion, Door	15	W10720065	Retainer, Door Duct			
	W11529693	Grey	16	W10853439	Gasket, Ice Door			
7	12990204	Screw	17	W11315302	Clip, Tube			
8		Handle, Door	18	W11423282	Assembly, Sparsh User Interface			
	W11045530	Stainless						

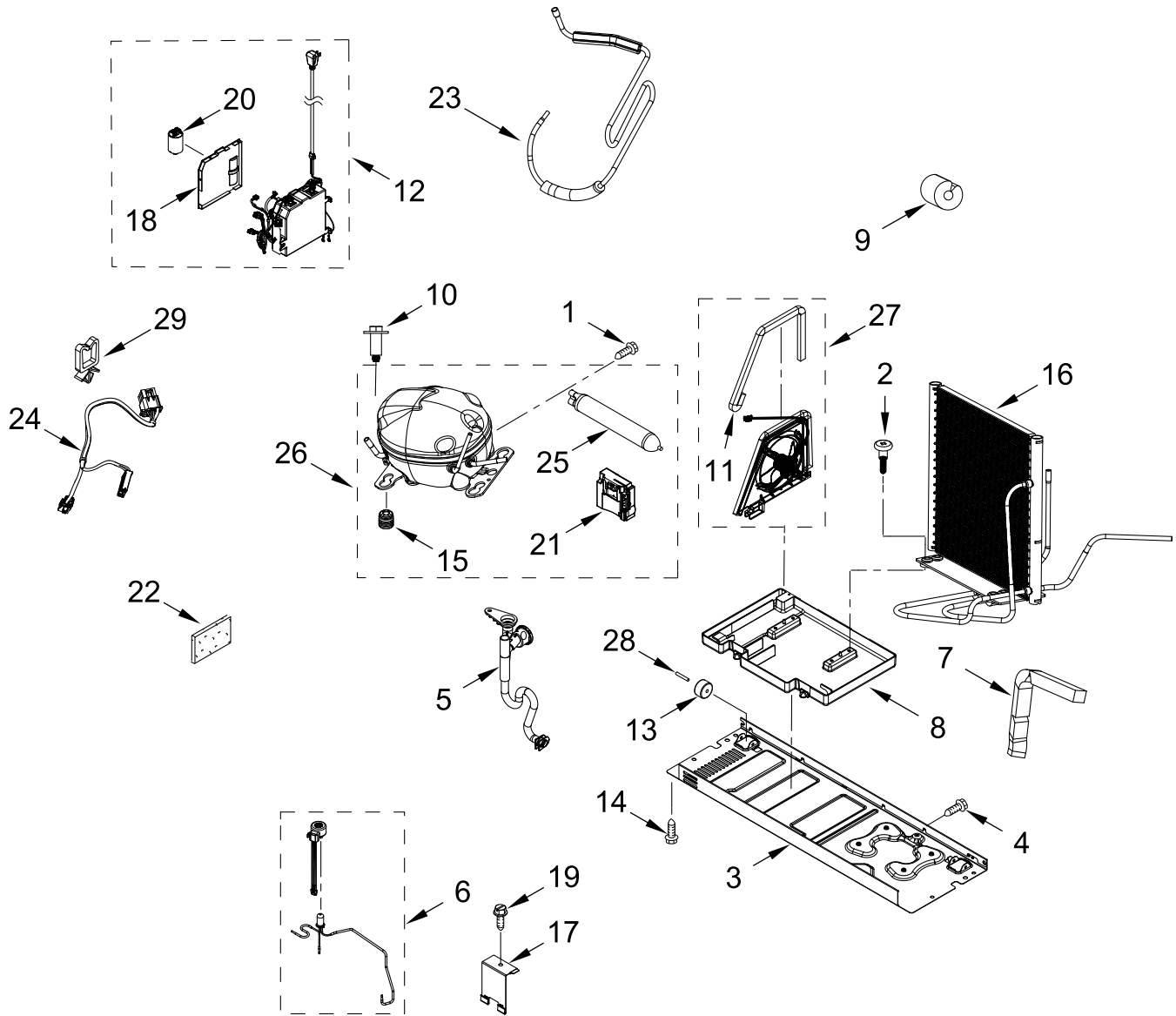
FREEZER DOOR PARTS



FREEZER DOOR PARTS

<u>Illus.</u> <u>No.</u>	<u>Part No.</u>	<u>Description</u>	<u>Illus.</u> <u>No.</u>	<u>Part No.</u>	<u>Description</u>	<u>Illus.</u> <u>No.</u>	<u>Part No.</u>	<u>Description</u>
1		Door, Freezer (Includes Door Gasket)	6	W10795850	Assembly, Bottom Pan	14		Stop, Pan
			7	12990518	Screw		W10485096	Left Hand
			8	W11128244	Assembly, Top Pan		W10485089	Right Hand
	W11429329	Stainless	9	W10277361	Collar, Gear	15		Gasket, Door
2		Handle, Door	10	W10643690	Axle, Roller		W11563145	Grey
	W10874807	Stainless	11	W10469177	Support, Pan	16	W10697812	Bar, Support
3	W11328753	Screw	12	489443	Screw (Stainless)			
4	W10851956	Shaft, Rack	13	W10874021	Roller, Pan			
5		Adapter Assy-FC.Slide						
	W11114790	Left Hand						
	W11114789	Right Hand						

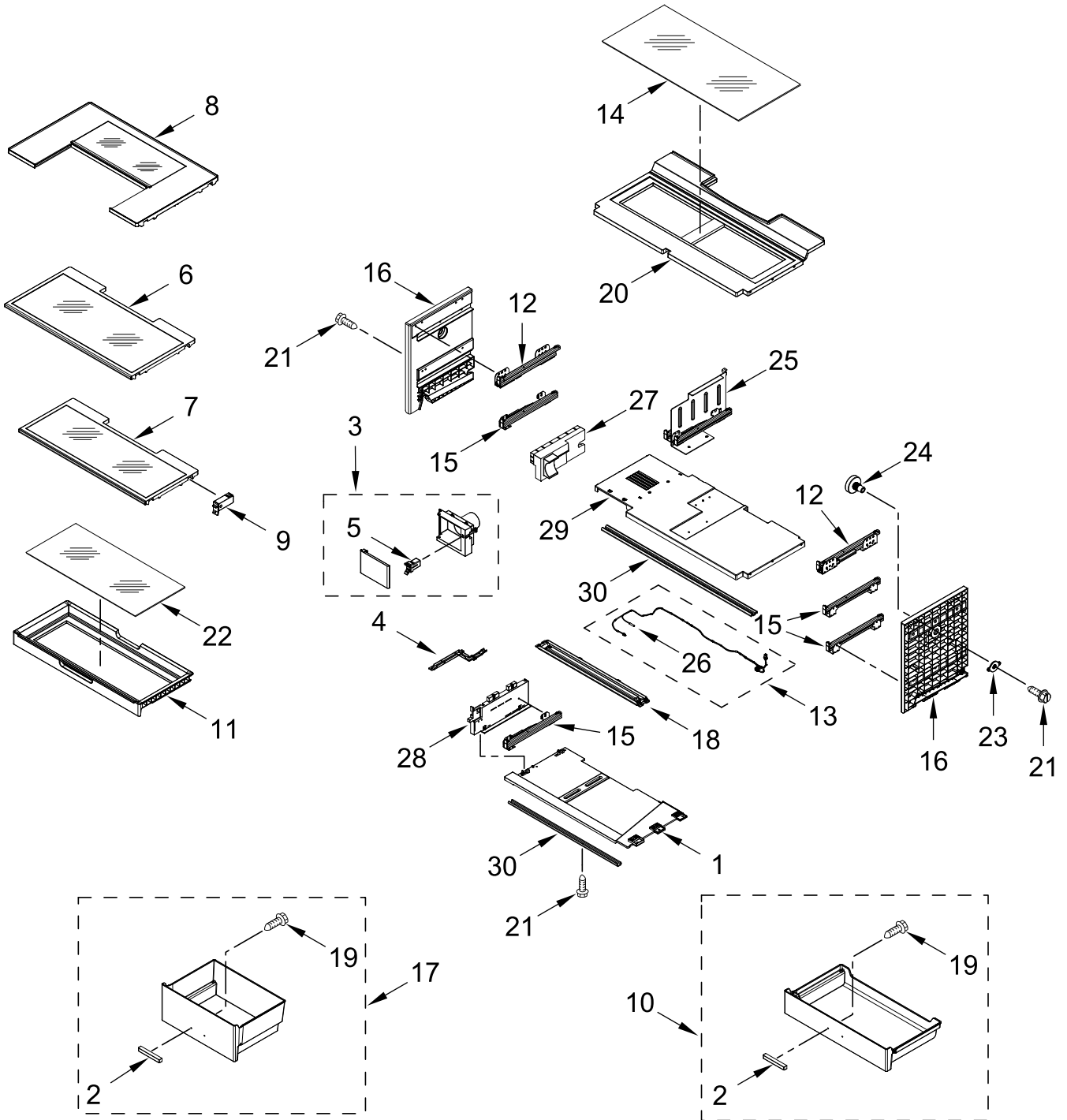
UNIT PARTS



UNIT PARTS

<u>Illus.</u> <u>No.</u>	<u>Part No.</u>	<u>Description</u>	<u>Illus.</u> <u>No.</u>	<u>Part No.</u>	<u>Description</u>	<u>Illus.</u> <u>No.</u>	<u>Part No.</u>	<u>Description</u>
1	W10141625	Screw	14	12992101	Screw	26	W11515413	Compressor
2	W10820084	Screw	15	10835903	Grommet			(Also Order the Following Lokring™ Parts)
3	W11449163	Baseplate	16	W11598591	Condenser		W11504431	7/5 NR MS 00
4	12990511	Screw			(Also Order the Following Lokring™ Parts)			(Suction Tube to Compressor)
5	W11541629	Assembly, Drain Extension		W11504445	5/4 NR MS 00		W11504415	8.5/8 NR MS 00
6	W11507092	Assembly, 3 Way Valve			(Heat Loop to Condenser)			(High Pressure Side to Compressor)
		(Also Order the Following Lokring™ Parts)		W11504431	7/5 NR MS 00		W11506621	6 NK MS 00
	W11506625	3 NK MS 00			(Suction Line to Condenser)			(Charging Tube to Compressor)
		(3-Way Valve to RC Capillary Tube - Cut/Splice near old Valve body)	17	W10391376	Bracket, Valve		W11506635	Tube, Charging (1/4 in w/ Schrader Valve)
			18	W11198954	Cover, Housing			
	W11506625	3 NK MS 00	19	W10141645	Screw	27	W11509191	Assembly, Condenser Fan
		(3-Way Valve to FC Capillary Tube - Cut/Splice near old Valve body)	20	W10738041	Filter, EMI			
			21	W11515300	Assembly, Inverter Box	28	12477202	Axle, Roller
	W11504445	5/4 NR MS 00				29	2223913	Clip
		(3-Way Valve to Drier)	22	2169104	Insulation, Sound Deadening			REFRIGERANT CHARGE
			23	W11599667	Assembly, Suction Tube			56 grams (R600a)
7	W11492318	Pad, Sound	24	W11440595	Harness, Unit (Condenser Fan)			
8	W11490557	Tray, Evaporator	25	W10805035	Drier (Service Drier Without Dye)			
9	2319835	Grommet, Condenser			(Also Order the Following Lokring™ Parts)			
10	W11417341	Screw		W11504445	5/4 NR MS 00			
11	W10683708	Gasket, Condenser Fan			(Heat Loop to Drier)			
12	W11434429	Assembly, Orion Box(Include Wiring Harness for Compressor and Power Cord)		W11506623	5 NK MS 00			
13	W10774846	Roller			(3-Way Valve to Drier)			

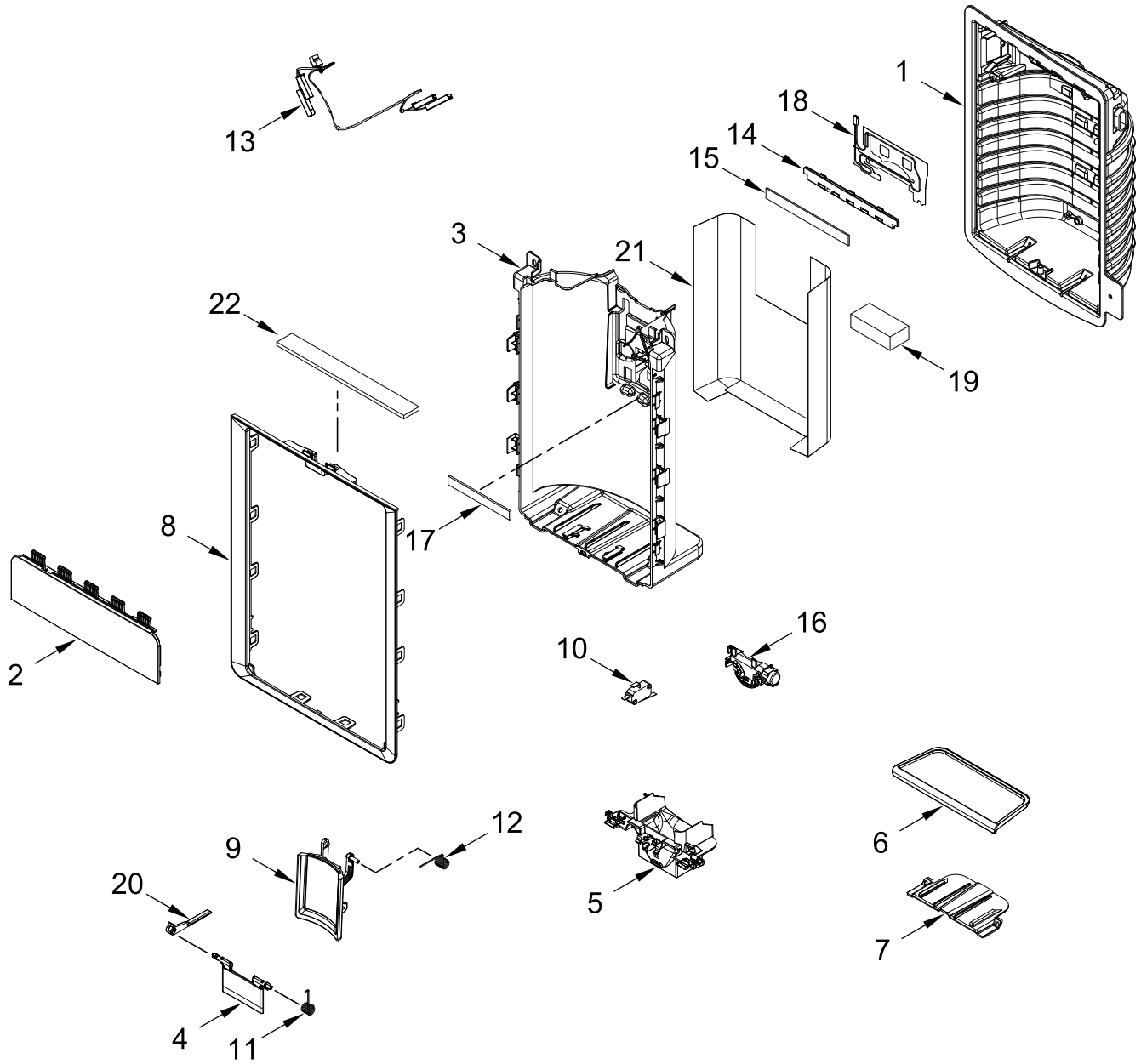
SHELF PARTS



SHELF PARTS

<u>Illus. No.</u>	<u>Part No.</u>	<u>Description</u>	<u>Illus. No.</u>	<u>Part No.</u>	<u>Description</u>	<u>Illus. No.</u>	<u>Part No.</u>	<u>Description</u>
1	W10794287	Base, Pantry	12		Glide, Platter	20	W10878157	Frame, Crisper Cover
2	W10717577	Handle		W11417674	Left Hand	21	W10804977	Screw
3	W11347066	Assembly, Filter Door		W11417675	Right Hand	22	W10881120	Glass, Platter
4	W10834719	Cover, Wiring Harness	13	W10779301	Assembly, Pantry Wire (Includes Thermistor)	23	W10840918	Flange, Side Support
5	2223877	Latch, Push	14	W10878598	Glass, Crisper Cover	24	W10840922	Knob, Side Support
6	W10882961	Assembly, 15" Full Shelf	15		Glide, Crisper	25	W10880762	Assembly, Center Support
7	W11165615	Assembly, 12" Full Shelf		W10892559	Left Hand	26	W10280385	Thermistor
8	W10883831	Assembly, Tuck Shelf		W10892561	Right Hand	27	W10792132	Insulation, Filter Housing
9		Assembly, Block	16		Support, Side	28	W10794289	Support, Pantry
	W10753430	Front Left/Back Right		W10794252	Left Hand	29		Cover, Pantry
	W10753431	Front Right/Back Left	17		Assembly, Crisper Pan	30	W10794250	Bar, Support
10	W10881589	Pan Assembly, Pantry		W10881536	Left Hand			
11	W10881141	Assembly, Platter Shelf		W10881531	Right Hand			
			18	W10901221	Assembly, Light			
			19	3400065	Screw (Stainless)			

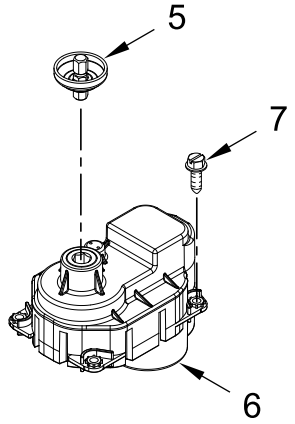
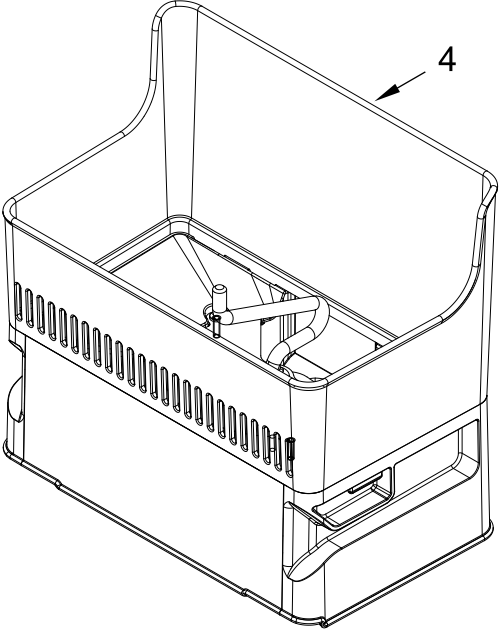
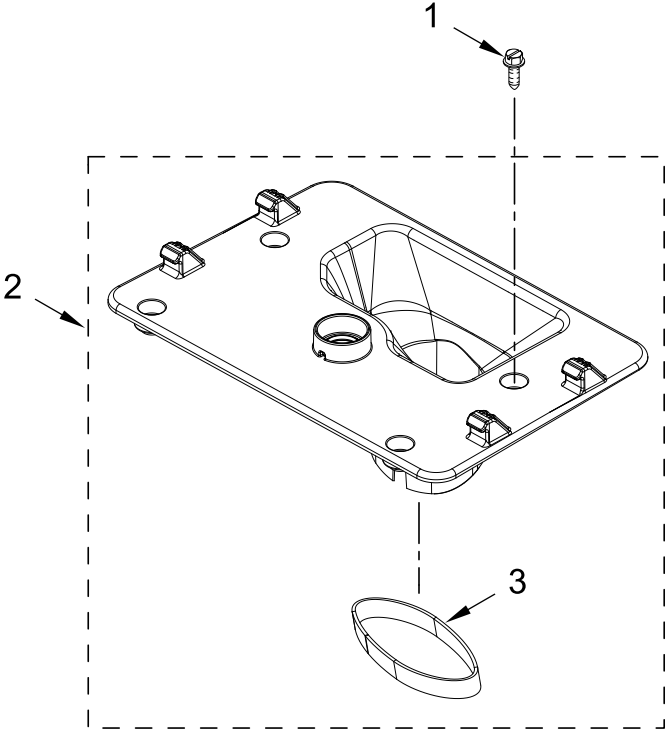
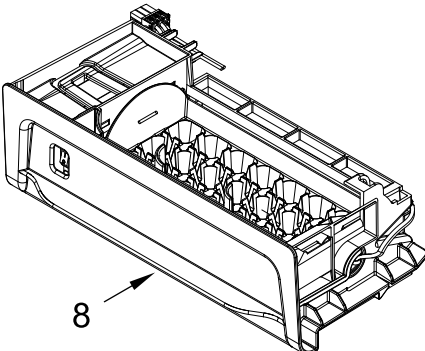
DISPENSER FRONT PARTS



DISPENSER FRONT PARTS

<u>Illus. No.</u>	<u>Part No.</u>	<u>Description</u>	<u>Illus. No.</u>	<u>Part No.</u>	<u>Description</u>	<u>Illus. No.</u>	<u>Part No.</u>	<u>Description</u>
1		Housing, Dispenser (Not Serviced)	7		Tray, Dispenser Slide	15	W10696713	Gasket, User Interface Adapter
2	W11415169	Assembly, Triton User Interface	8	W10772527	Grey	16	W10696704	Assembly, Ice Door Motor Bracket
3		Wall, Dispenser False	9	W10757512	Chrome	17	W10663699	Pad, Sound
	W10717109	Grey		W10672575	Silver	18	W10752689	Heater, Dispenser
4		Paddle, Water Dispenser	10	W10403752	Switch, Limit	19	W10882291	Gasket, Foam
	W10678156	Silver	11	W10672578	Spring, Torsion	20	W10680037	Arm, Water Paddle
5		Seperator	12	W10663682	Spring, Torsion	21	W10864907	Foil, Dispenser Well
	W10672579	Grey	13	W10704135	Assembly, Paddle Jumper Wire	22	W10831765	Gasket, Dispenser Trim
6		Tray, Drip	14	W10757499	Bracket, User Interface Adapter			
	W10757513	Chrome						

ICEMAKER AND ICE CONTAINER PARTS



ICEMAKER AND ICE CONTAINER PARTS

<u>Illus.</u> <u>No.</u>	<u>Part No.</u>	<u>Description</u>	<u>Illus.</u> <u>No.</u>	<u>Part No.</u>	<u>Description</u>	<u>Illus.</u> <u>No.</u>	<u>Part No.</u>	<u>Description</u>
1	W10272364	Screw	5	W11363574	Shaft-Motor	7	8281163	Screw (Stainless)
2	W10682175	Plate, Ice Chute	6	W11185741	Motor, Dispenser	8	W11391033	Assembly, Icemaker
3	W10291905	Gasket						
4	W11476067	Assembly, Ice Container						

OPTIONAL PARTS

<u>Illus.</u> <u>No.</u>	<u>Part No.</u>	<u>Description</u>
		TOUCH-UP PAINT
W10134625		Apollo Grey
		MISCELLANEOUS
212643		Sealer, Gum (4 Feet)
876370		Insulation (2 Pieces, 3" x 24" x 48")
876305		Insulation Kit (14 Pieces, 3" x 24" x 48")
978941		Insulation, Fiberglass (63 1/2" x 35 1/2" x 2 5/8")
505587		Sealer, Mastic (1 Qt)
503695		Cork, Sealer
542638		Grease, Silicone (1/2 Oz.)
833938		Kit, Terminal Connector
8003RP		Kit, Water Inlet