

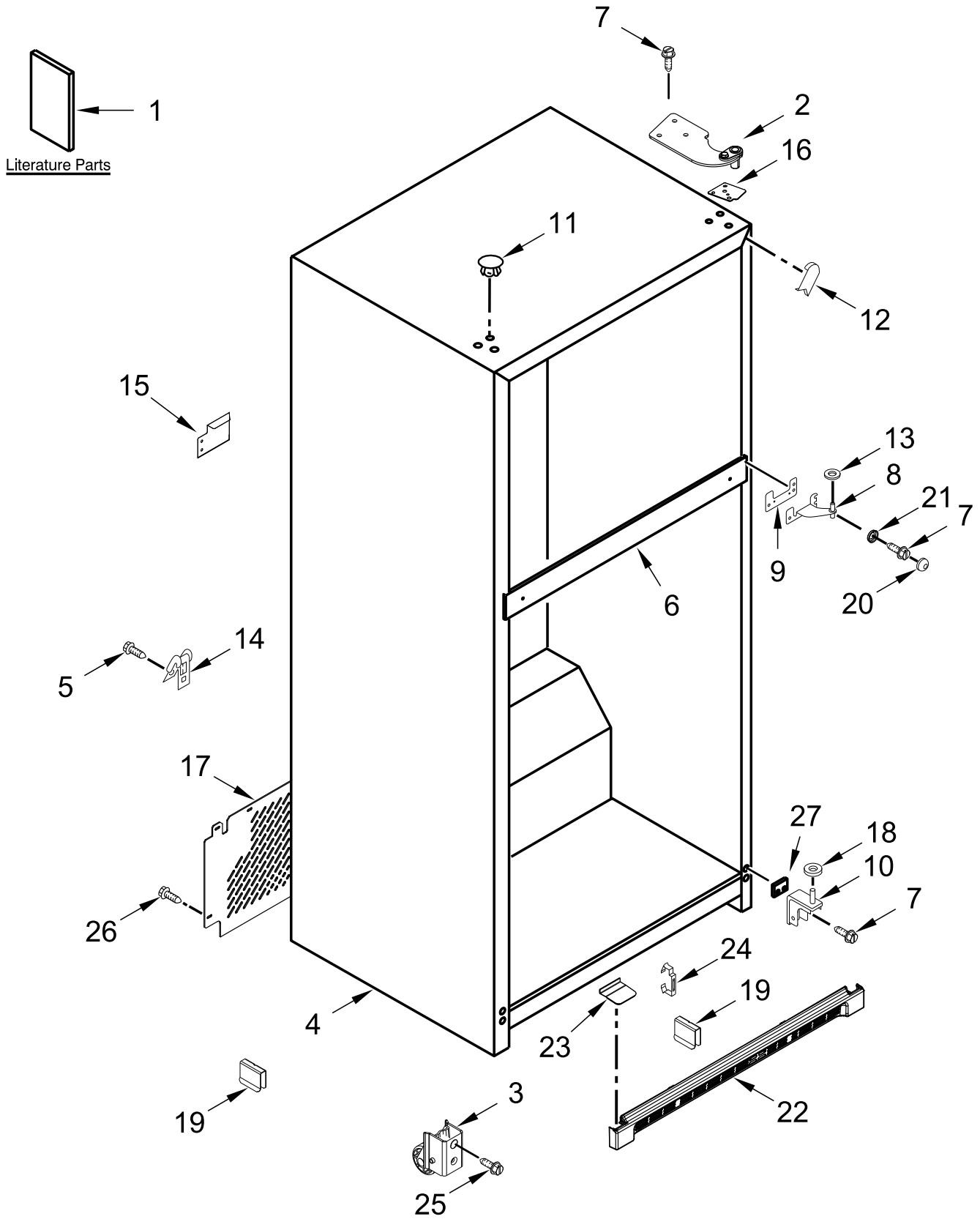


REFRIGERATOR

MODELS:

WRT511SZDM04 (Stainless)

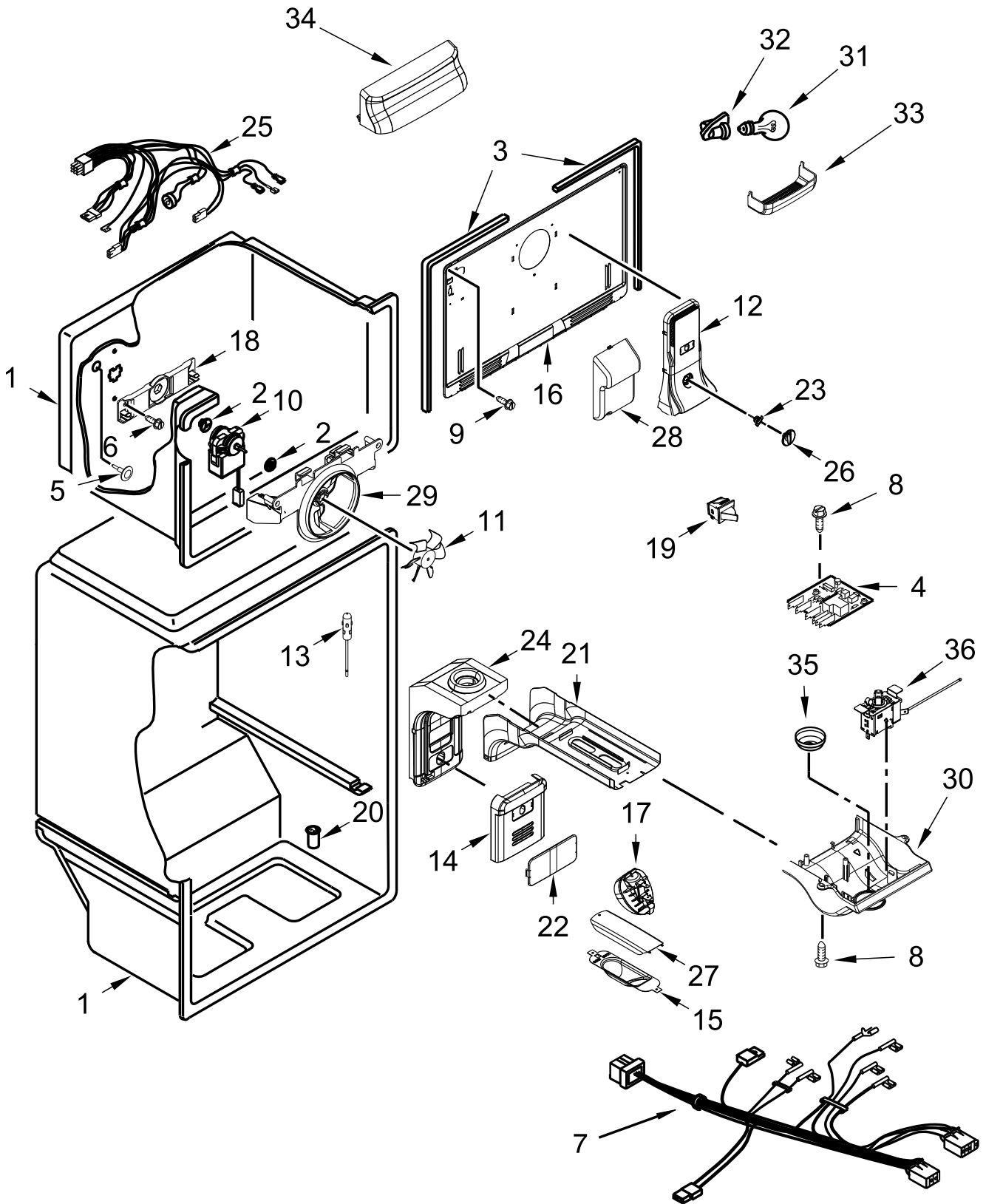
CABINET PARTS



CABINET PARTS

| <u>Illus.</u> <u>No.</u> | <u>Part No.</u> | <u>Description</u> | <u>Illus.</u> <u>No.</u> | <u>Part No.</u> | <u>Description</u> | <u>Illus.</u> <u>No.</u> | <u>Part No.</u> | <u>Description</u> |
|-----------------------------|-----------------|-----------------------------|-----------------------------|-----------------|---------------------|-----------------------------|-----------------|----------------------|
| 1 | | Literature Parts | 10 | 2254473 | Hinge, Bottom | 20 | | Cap, Dome |
| | W11730698 | Use & Care Guide | 11 | | Plug, Hole | | W10679139 | Grey |
| | W11644017 | Energy Guide | | W10520307 | Grey | 21 | W10674773 | Cap, Washer Dome |
| | W11656390 | Assembly, Top Right Hinge | 12 | | Filler, Wrapper | 22 | | Grille |
| | | | | W11219642 | Grey | | W10592144 | Grey |
| 3 | W10725960 | Assembly, Roller | 13 | 489341 | Washer, Plastic | 23 | | Cover, Toe Grille |
| 4 | | Cabinet (Not Serviced) | 14 | W11242280 | Clamp, Power Cord | | W10468611 | Grey |
| 5 | 489442 | Screw | 15 | W11458717 | Access Cover, Valve | 24 | 2254385 | Clip, Grille |
| 6 | | Rail, Center (Not Serviced) | 16 | W11656515 | Shim, Top Hinge | 25 | W10142287 | Screw |
| 7 | 489497 | Screw | 17 | W11307290 | Cover, Unit | 26 | 2262176 | Screw |
| 8 | 2254618 | Hinge, Center | 18 | 487576 | Washer, Plastic | 27 | 2201567 | Shim, Hinge (Bottom) |
| 9 | 2183852 | Shim, Hinge Center | 19 | 2174706 | Clip, Roller | | | |

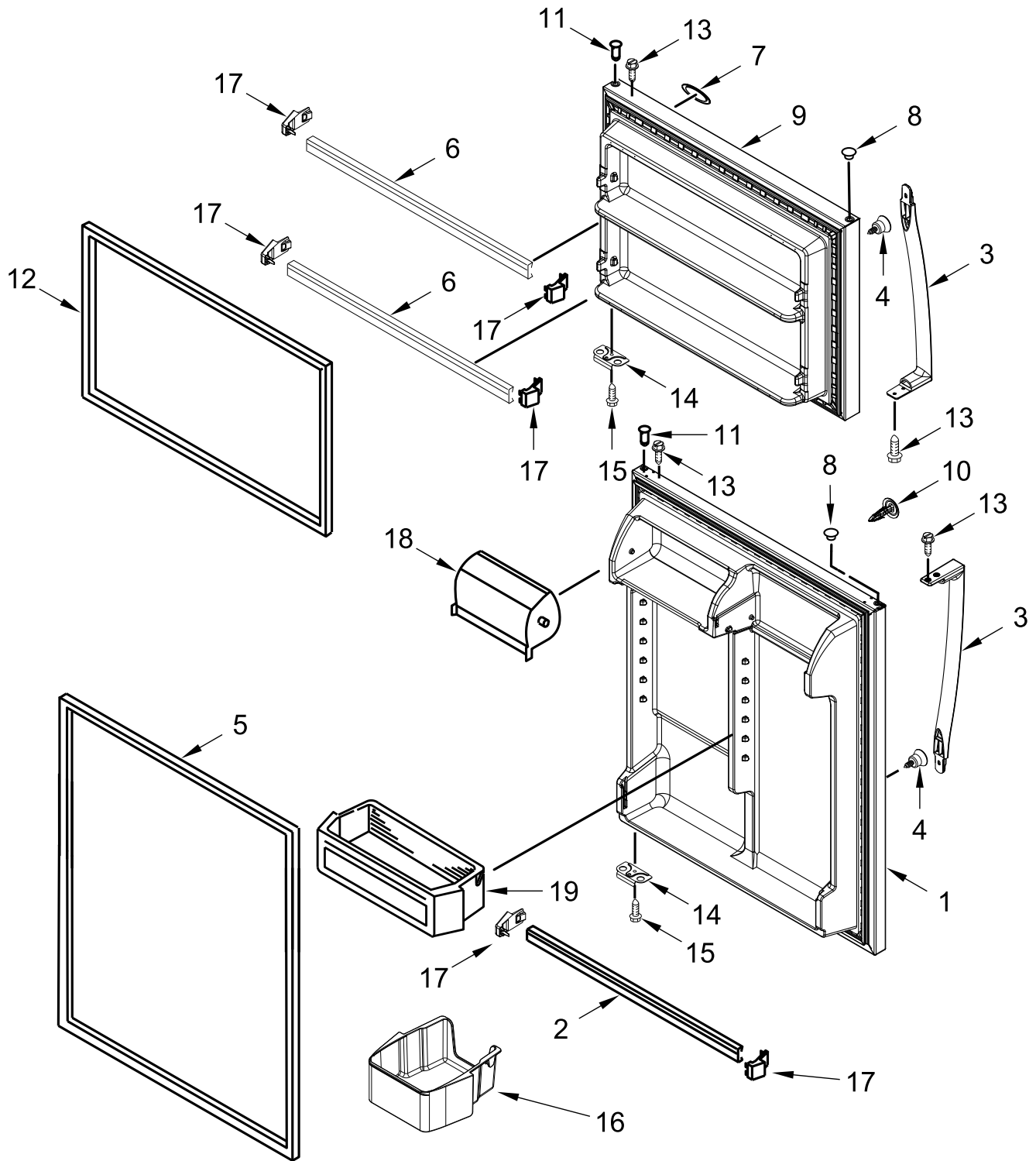
LINER PARTS



LINER PARTS

| <u>Illus. No.</u> | <u>Part No.</u> | <u>Description</u> | <u>Illus. No.</u> | <u>Part No.</u> | <u>Description</u> | <u>Illus. No.</u> | <u>Part No.</u> | <u>Description</u> |
|-------------------|-----------------|----------------------------|-------------------|-----------------|---|-------------------|-----------------|---------------------------------|
| 1 | | Liner (Not Serviced) | 15 | W10300161 | Shield, Light | 30 | W11476576 | Box, Control (Includes Overlay) |
| 2 | 2197380 | Grommet | 16 | W11515911 | Cover, Evaporator | 31 | W11160686 | Lamp, LED |
| 3 | 2254360 | Gasket, Evaporator Cover | 17 | W11429584 | Module, LED | 32 | W10440814 | Socket, Light |
| 4 | W11438735 | Adaptive Defrost Control | 18 | 2254454 | Bracket, Evaporator Fan Rear | 33 | W10313917 | Housing, Freezer Lighting |
| 5 | | Hole Plug | 19 | W11514900 | Switch, Light | 34 | W10313918 | Lens, Light |
| | 941839 | White | 20 | 2210509 | Valve, Release | 35 | W10716304 | Knob, Control |
| 6 | 488208 | Screw | 21 | W10305175 | Cover, Air Diffuser | 36 | W11514634 | Assembly, Thermostat |
| 7 | W11476624 | Wire Assembly, Control Box | 22 | W10336009 | Cup, Screw | | | |
| 8 | 489174 | Screw | 23 | W10662269 | Baffle, Air Manual | | | |
| 9 | W10142283 | Screw (White) | 24 | W10883330 | Assembly, Multiflow | | | |
| 10 | 2315539 | Motor, Evaporator Fan | 25 | W11314511 | Assembly, Evaporator Fan Wire (Includes Defrost Bi-Metal) | | | |
| 11 | 2200509 | Blade, Fan | 26 | W10570952 | Knob, Air Control | | | |
| 12 | W10654834 | Assembly, Air Tower (FC) | 27 | W10348614 | Cover, Light | | | |
| 13 | W10384183 | Thermistor | 28 | W11341625 | Cover, Water Tube | | | |
| 14 | W10609502 | Cup, Air Diffuser | 29 | W10321162 | Bracket, Fan Motor | | | |

DOOR PARTS



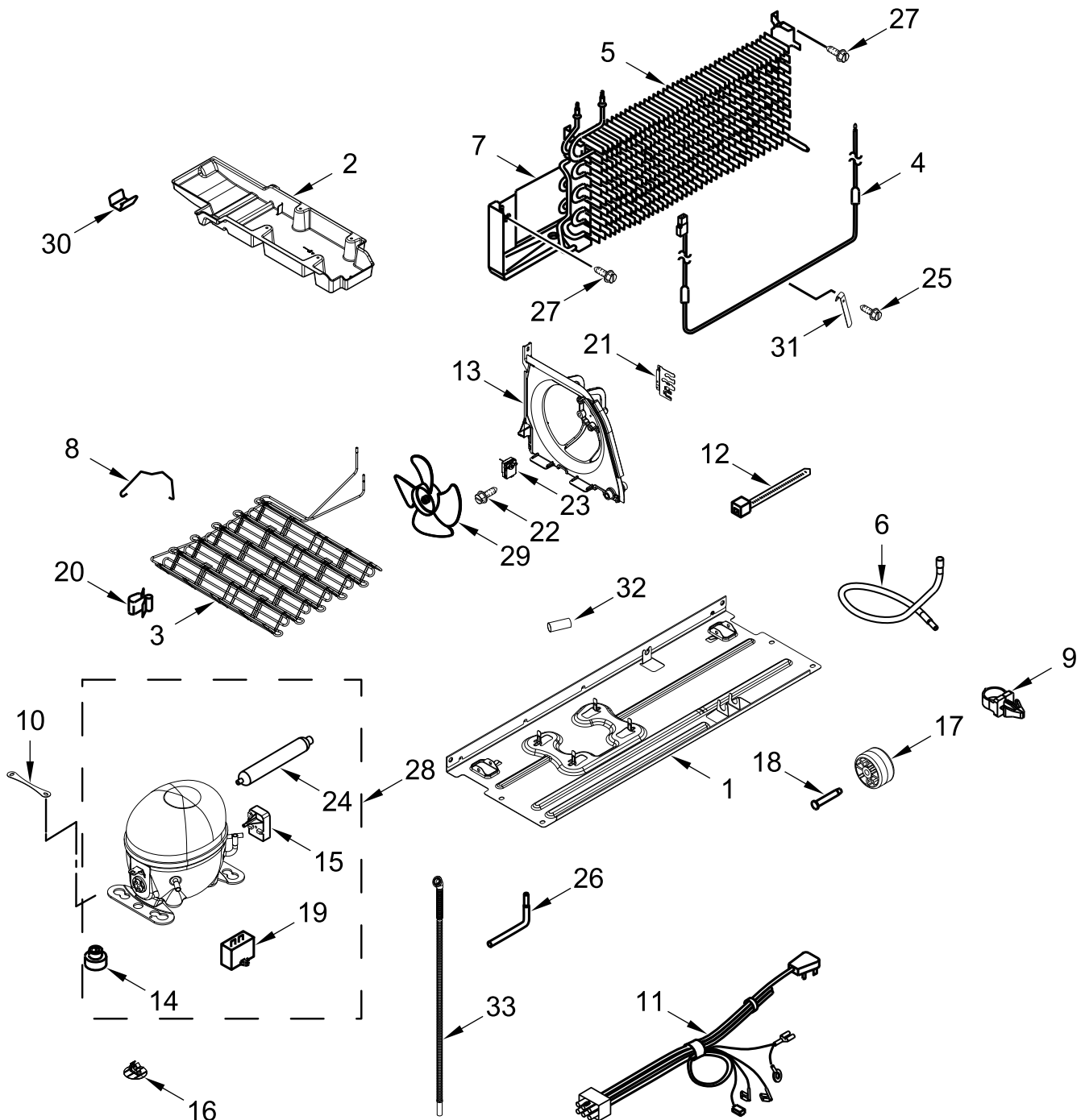
DOOR PARTS

| <u>Illus. No.</u> | <u>Part No.</u> | <u>Description</u> |
|-------------------|-----------------|---|
| 1 | | Refrigerator Door (Includes Door Gasket) |
| | W10648584 | Stainless |
| 2 | W10592148 | Trim, Door |
| 3 | | Handle, Door |
| | W10653471 | Stainless |
| 4 | 489357 | Screw |
| 5 | | Gasket, Door |
| | W11406600 | Grey |
| 6 | W10592150 | Trim, Door |

| <u>Illus. No.</u> | <u>Part No.</u> | <u>Description</u> |
|-------------------|-----------------|--|
| 7 | W10884775 | Badge |
| 8 | | Plug, Hinge |
| | 2254517 | Grey |
| 9 | | Freezer Door (Includes Door Gasket) |
| | W10648583 | Stainless |
| 10 | | Plug, Hole |
| | W10663739 | Grey |
| 11 | 2314293 | Thimble |

| <u>Illus. No.</u> | <u>Part No.</u> | <u>Description</u> |
|-------------------|-----------------|--------------------|
| 12 | | Gasket, Door |
| | W11406598 | Grey |
| 13 | 8281206 | Screw |
| 14 | 2189202 | Bracket, Door Stop |
| 15 | 489276 | Screw |
| 16 | W10308869 | Bin, Medium |
| 17 | W10592153 | Cap, Trim End |
| 18 | W10601425 | Compartment, Door |
| 19 | W10308868 | Bin, Large Door |

UNIT PARTS

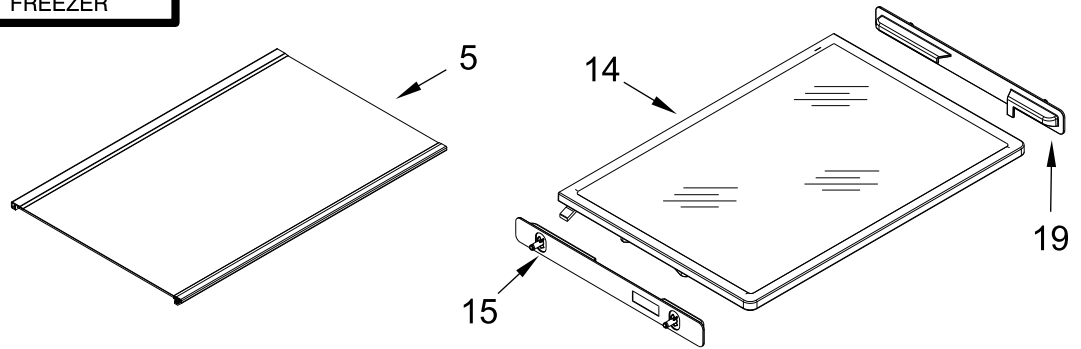


UNIT PARTS

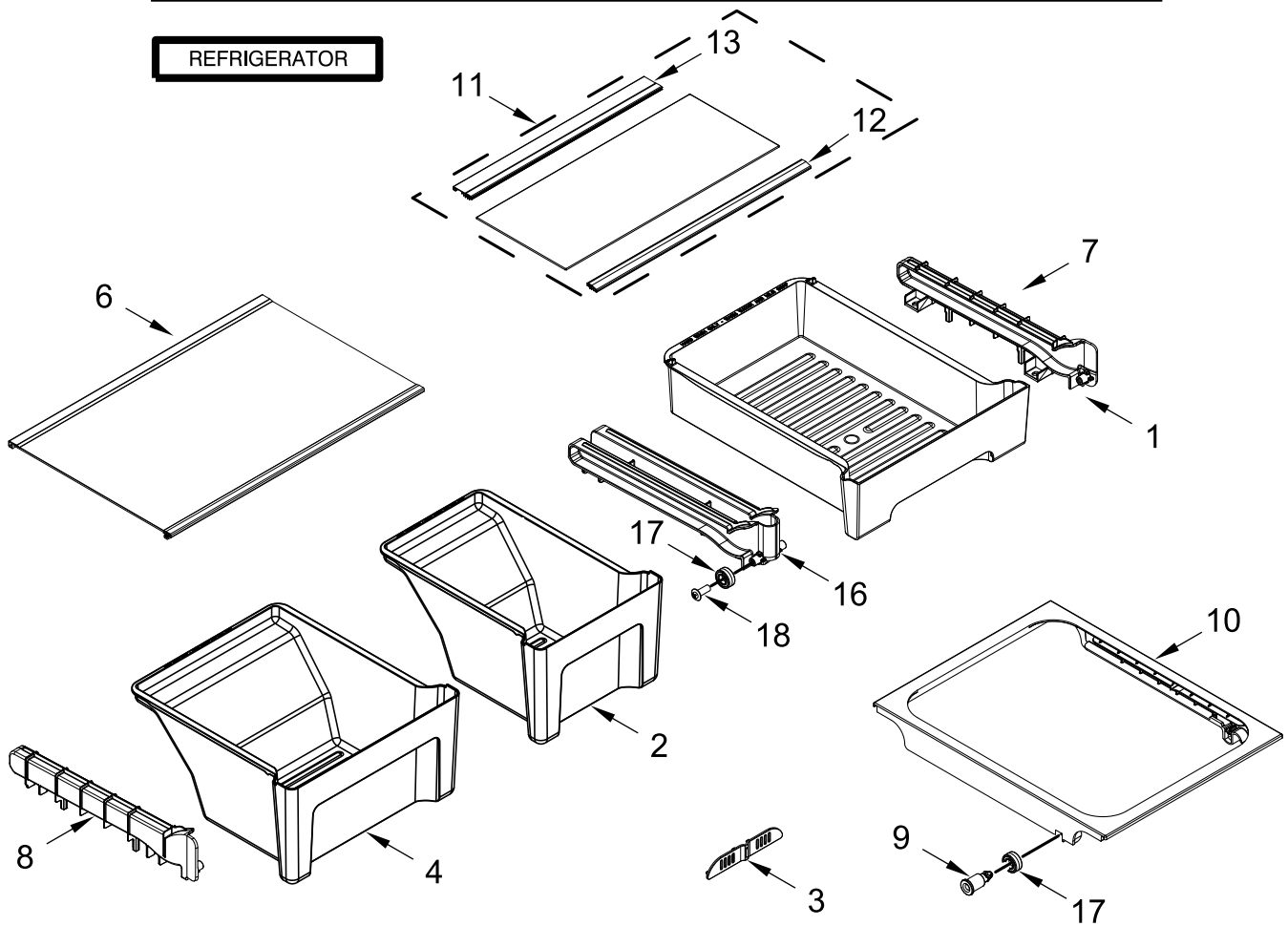
| <u>Illus.</u> <u>No.</u> | <u>Part No.</u> | <u>Description</u> | <u>Illus.</u> <u>No.</u> | <u>Part No.</u> | <u>Description</u> | <u>Illus.</u> <u>No.</u> | <u>Part No.</u> | <u>Description</u> |
|-----------------------------|-----------------|---|-----------------------------|-----------------|--|-----------------------------|-----------------|---|
| 1 | W11396825 | Baseplate | 11 | W11430967 | Harness, Unit | 26 | 2174739 | Tube, Process |
| 2 | W10802027 | Tray, Drain | 12 | 2263990 | Tie, Wire | 27 | 489442 | Screw |
| 3 | W10609393 | Condenser (Also Order the Following Lokring™ Parts) | 13 | W11509373 | Bracket, Condenser Fan | 28 | W11663223 | Compressor (Also Order the Following Lokring™ Parts) |
| | W11574641 | Connector (7 mm to 4.5 mm, Brass) (High Side to Condenser) | 14 | W10806346 | Grommet, Compressor | | W11506619 | 8 NK MS 00 (Suction Tube to Compressor) |
| | W11506624 | 4 NK MS 00 (Suction Line to Condenser) | 15 | W11359381 | Device, Combination Start (Start Relay and Overload) | | W11574641 | Connector (7 mm to 4.5 mm, Brass) (High Pressure Side to Compressor) |
| 4 | W11340898 | Heater, Defrost | 16 | W10815861 | Clip, Bottom Cover | | W11506619 | 8 NK MS 00 (Process Tube to Compressor) |
| 5 | W11282685 | Assembly, Evaporator (Also Order the Following Lokring™ Parts) | 17 | W10475495 | Roller | 29 | W10817071 | Blade, Fan |
| | W11504450 | 4/1.8 NR MS 00 (Capillary Tube to Evaporator) | 18 | 2179826 | Axle, Rivet | 30 | W10248621 | Clip, Condenser |
| | W11506619 | 8 NK MS 00 (Suction Line to Evaporator) | 19 | W10590083 | Capacitor | 31 | W11399989 | Heat Probe |
| 6 | W11518248 | Tube, Suction | 20 | 2326941 | Clip, Wire | 32 | 2215468 | Insulation, Sound |
| 7 | W11377819 | Heat Shield | 21 | W11340313 | Bracket, Evaporator | 33 | W11577795 | Tube, Drain REFRIGERANT CHARGE 47 grams (R600A) |
| 8 | W11495051 | Strap, Bale | 22 | W10622701 | Screw | | | |
| 9 | 2219077 | Clip, Harness | 23 | W11505535 | Motor, Condenser Fan | | | |
| 10 | W10236396 | Strap, Compressor | 24 | W10805035 | Drier (Service Drier Without Dye) (Also Order the Following Lokring™ Parts) | | | |
| | | | | W11504445 | 5/4 NR MS 00 (Heat Loop to Drier) | | | |
| | | | | W11504447 | 5/1.8 NR MS 00 (Capillary Tube to Drier) | | | |
| | | | 25 | 489478 | Screw | | | |

SHELF PARTS

FREEZER



REFRIGERATOR



SHELF PARTS

| <u>Illus.</u> <u>No.</u> | <u>Part No.</u> | <u>Description</u> | <u>Illus.</u> <u>No.</u> | <u>Part No.</u> | <u>Description</u> | <u>Illus.</u> <u>No.</u> | <u>Part No.</u> | <u>Description</u> |
|-----------------------------|-----------------|------------------------|-----------------------------|-----------------|-----------------------|-----------------------------|-----------------|-------------------------------------|
| 1 | W10714006 | Pan, Meat | 8 | W10694149 | Track Rail, Left Hand | 15 | W11395919 | Support, Freezer Shelf (Left Side) |
| 2 | W10662133 | Pan, Crisper | 9 | W10628712 | Axle, Roller | 16 | W10694150 | Rail, Center Track |
| 3 | W10356844 | Control, Humidity | 10 | W10628698 | Holder, Meat Pan | 17 | W10628713 | Roller, Pan |
| 4 | W10663427 | Pan, Crisper 16" | 11 | W10691487 | Assembly, Shelf | 18 | 3400065 | Screw (Stainless) |
| | W11553156 | Assembly, Shelf | 12 | W10691528 | Trim, Shelf Front | 19 | W11395921 | Support, Freezer Shelf (Right Side) |
| 6 | W11553155 | Assembly, Shelf RC | 13 | W10691529 | Trim, Shelf Rear | | | |
| 7 | W10694151 | Track Rail, Right Hand | 14 | W10486291 | Shelf, Freezer Glass | | | |

OPTIONAL PARTS

FOLLOWING PARTS NOT ILLUSTRATED

| <u>Illus. No.</u> | <u>Part No.</u> | <u>Description</u> |
|-------------------|-----------------|---|
| 978941 | | Insulation, Fiberglass (63 1/2" x 35 1/2" x 2 5/8") |
| 212643 | | Sealer, Gum (4 Feet) |
| 479502 | | Tape, Vinyl (3/4 x 108") |
| 876305 | | Insulation Kit (14 Pieces, 3" x 24" x 48") |
| 876370 | | Insulation (2 Pieces, 3" x 24" x 48") |
| 876029 | | Kit, Foam Slab (30" x 32 1/2" x 1 1/2") |
| 505587 | | Sealer, Mastic (1 Qt) |
| 511873 | | White Porcelain (2 oz.) |
| 542638 | | Grease, Silicone (1/2 Oz.) |
| 542639 | | Cement, Alumilastic (1 1/4 Oz.) |
| 606755 | | Bag |
| 833938 | | Kit, Terminal Connector |
| 503695 | | Cork, Sealer |
| 8003RP | | Kit, Water Inlet |

PAINT, TOUCH-UP (1/2OZ.)

| <u>Illus. No.</u> | <u>Part No.</u> | <u>Description</u> |
|-------------------|-----------------|--------------------|
| | 72017 | White |
| | 72032 | Black |
| | 4392899 | Biscuit and Bisque |
| | W10134625 | Apollo Grey |

TORX SCREW WRENCH

| <u>Illus. No.</u> | <u>Part No.</u> | <u>Description</u> |
|-------------------|-----------------|--------------------|
| | 1117510 | Torx Key |

PAINT, PRESSURIZED SPRAY (12 OZ.)

| <u>Illus. No.</u> | <u>Part No.</u> | <u>Description</u> |
|-------------------|-----------------|--------------------|
| | 350942 | White Primer |
| | 350939 | Enamel, Black |
| | 350930 | White |
| | 4392901 | Biscuit and Bisque |

PAINT, BULK (1 QT.)

| <u>Illus. No.</u> | <u>Part No.</u> | <u>Description</u> |
|-------------------|-----------------|--------------------|
| | 799344 | White (Uncut) |
| | 4392900 | Biscuit/Bisque |