

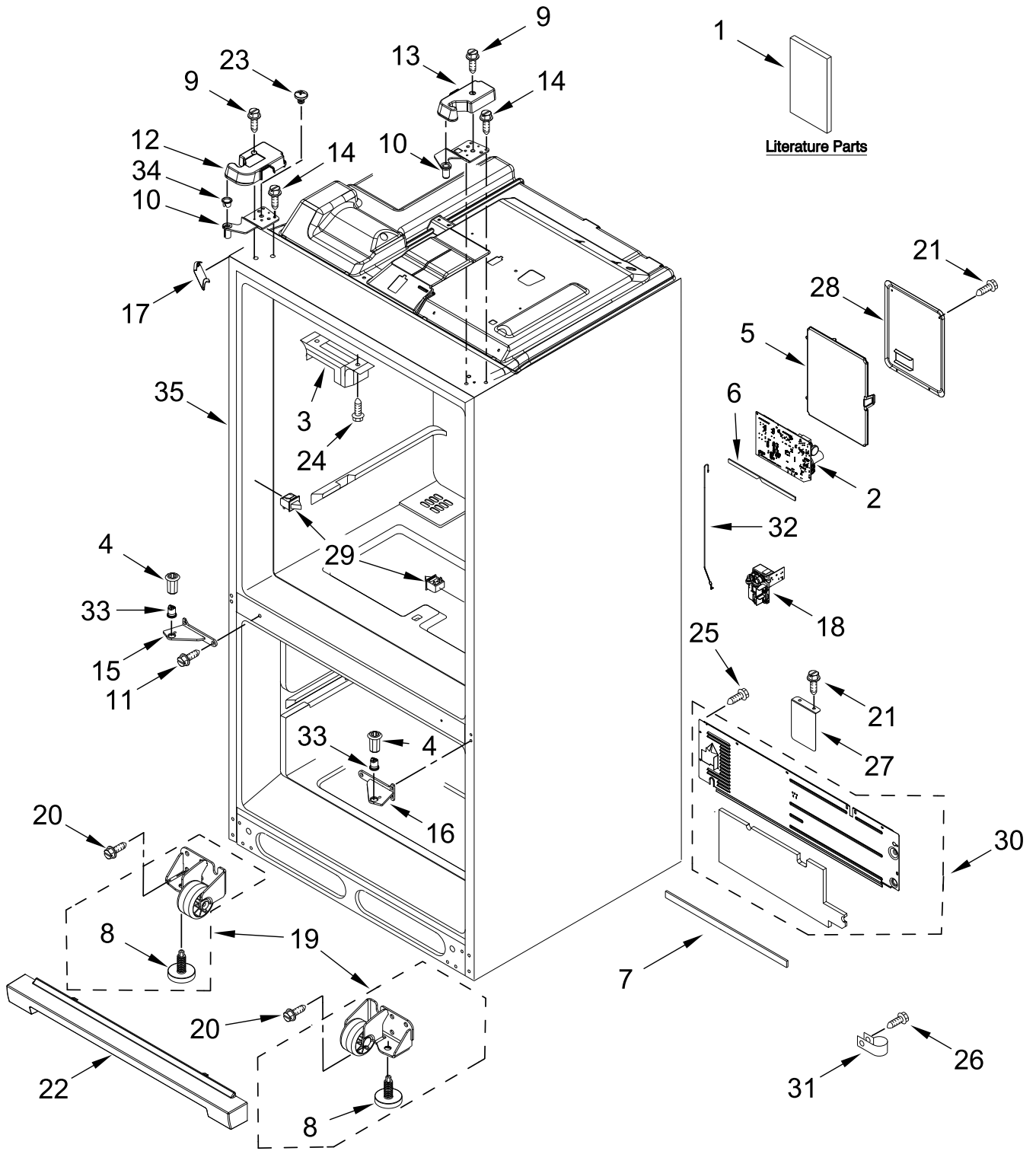


REFRIGERATOR

MODELS:

WRF767SDHZ05 (Stainless Steel)

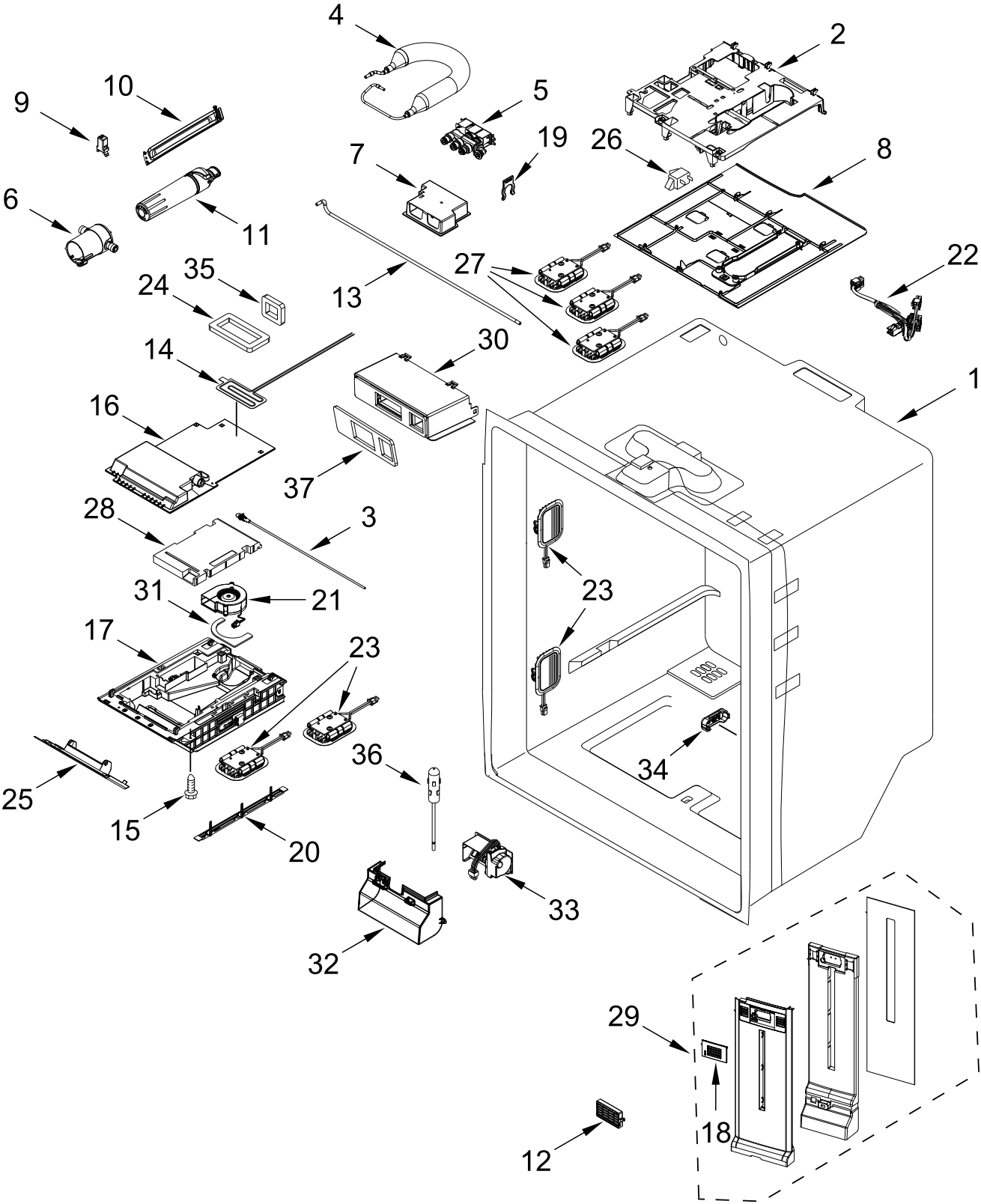
CABINET PARTS



CABINET PARTS

<u>Illus.</u> <u>No.</u>	<u>Part No.</u>	<u>Description</u>	<u>Illus.</u> <u>No.</u>	<u>Part No.</u>	<u>Description</u>	<u>Illus.</u> <u>No.</u>	<u>Part No.</u>	<u>Description</u>
1		Literature Parts	13		Cover, Top Hinge	22		Grille, Toe
	W11502338	Owners Manual			Right Hand		W10637671	Grey
	W11662357	Tech Sheet		W10407158	Grey	23	12992601	Screw
	W11647507	Energy Guide	14	W10731474	Screw	24	12990302	Screw
2	W11724451	Board, Control	15		Hinge, Center	25	W10141645	Screw
3	W10344432	Block, Pivot			Left Hand	26	W10141645	Screw
4	W10694625	Door, Bottom Cam		W10248706	Grey	27	W11578005	Cover, Roller
5	W10768379	Lid, HV	16		Hinge, Center	28	W10754144	Cover, Control Box
6	W10415341	Gasket, HV Box			Right Hand	29	W10847849	Switch, Light
7	W11534848	Gasket		W10248703	Grey	30	W11364644	Assembly, Unit Cover
8	W10141622	Brake, Roller	17		Cover, Corner	31	M0108107	Clamp, Tube
9	12990521	Screw		12587703AP	Grey	32	W11296599	Tube, Water
10		Hinge, Top	18	W11460084	Valve, Water	33	W10505294	Coupler, Door
	W11456644	Left Hand	19		Assembly, Roller	34	W10212137	Retainer, Door
	W11456643	Right Hand		W10515763	Left Hand	35		Cabinet (Not a Servicable Part)
11	W10673840	Screw (Stainless)		W10515762	Right Hand			
12		Cover, Top Hinge	20	W10709365	Screw			
		Left Hand	21	12990702	Screw			
	W10471618	Grey						

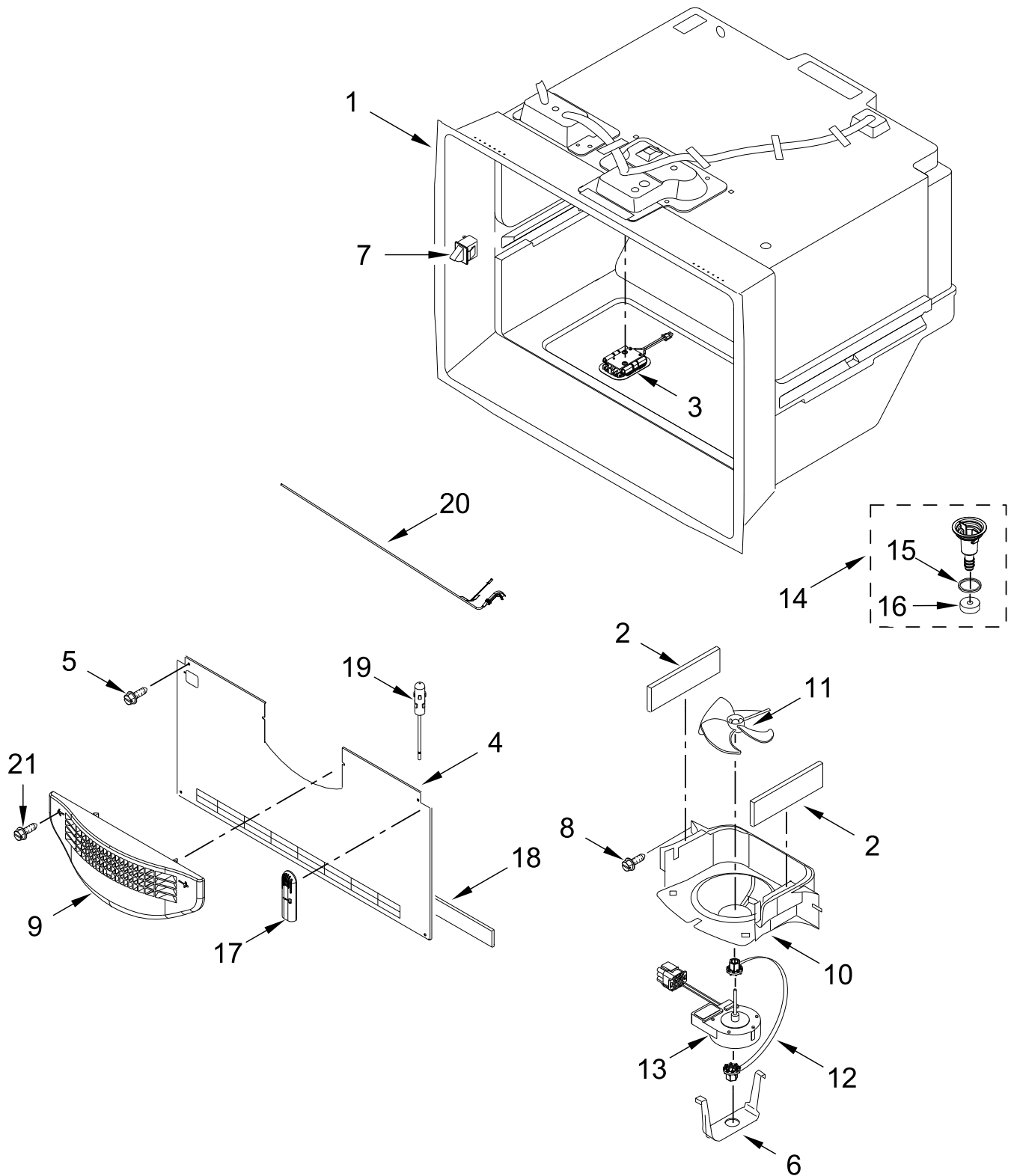
REFRIGERATOR LINER PARTS



REFRIGERATOR LINER PARTS

<u>Illus. No.</u>	<u>Part No.</u>	<u>Description</u>	<u>Illus. No.</u>	<u>Part No.</u>	<u>Description</u>	<u>Illus. No.</u>	<u>Part No.</u>	<u>Description</u>
1		Liner (Not A Serviceable Part)	14	W10706850	Heater, Fill Tube	27	W11234027	Harness, LED Wire (Includes LED lights)
2	W11281629	Housing, Water System	15	12990518	Screw	28	W10280983	Insulation
3	W11613057	Tube, Fill	16	W10598013	Cover, Icebox	29	W11373777	Assembly, Air Tower
4	W11296598	Reservoir, Water (Also Order Wire Tie Part 8567668)	17	W11547436	Assembly, Icebox (Foamed)	30	W10635022	Adapter, Icebox
5	W11399627	Valve, Triple Water	18	W11125218	Cover, Air Diffuser	31	W10392172	Gasket, Fan
6	W11293954	Housing, Water Filter	19	W11175631	Locking Ring (5/16)	32	W10530312	Cover, Damper
7	W11391464	Enclosure, Water Valve	20	W10505516	Trim, Icebox	33	W10479155	Damper, Control
8	W10669663	Cover, Waterbox	21	W10833801	Fan, Icebox	34	W10438957	Cover, Thermistor
9	2223877	Latch, Push	22	W11369503	Wire Assembly, Jumper	35	W10320706	Gasket, Rear Return
10	W10277949	Door, Filter Access	23	W11228040	Assembly, LED Light Module	36	W10280385	Thermistor
11	W10680605	Filter, Water	24	W10280988	Gasket, Rear Supply	37	W11672619	Gasket, Adapter
12	W10315189	Filter, Air	25	W11504346	Assembly, Fascia and Heater			FOLLOWING PARTS NOT ILLUSTRATED
13	W11658811	Waterline, Valve to Hinge	26	W10847853	Switch, Rocker	W11298842		Wire Assembly, Ice Box
						W11306926		Harness, Dual Valve

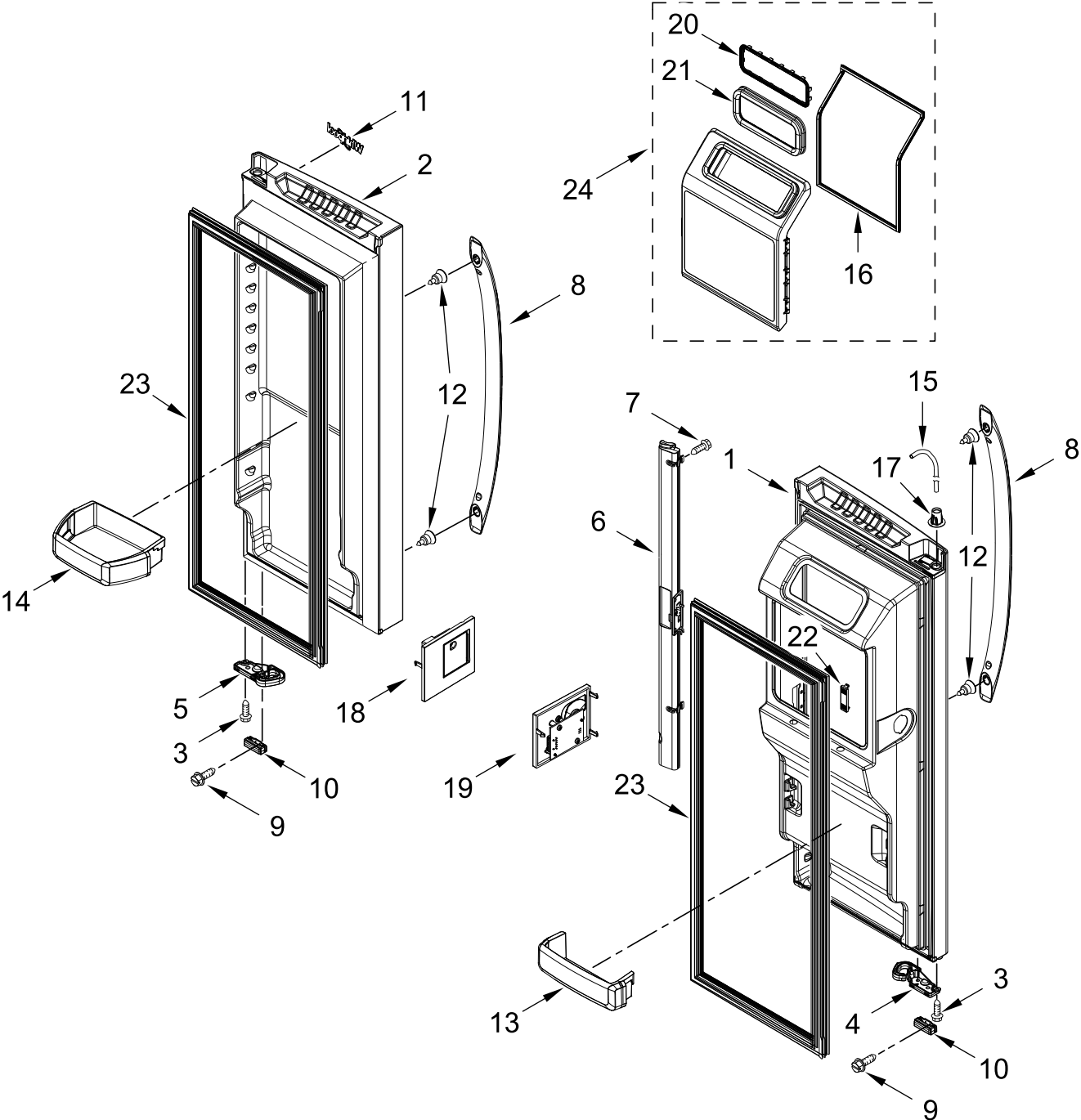
FREEZER LINER PARTS



FREEZER LINER PARTS

<u>Illus.</u> <u>No.</u>	<u>Part No.</u>	<u>Description</u>	<u>Illus.</u> <u>No.</u>	<u>Part No.</u>	<u>Description</u>	<u>Illus.</u> <u>No.</u>	<u>Part No.</u>	<u>Description</u>
1		Liner (Not A Serviceable Part)	9	W10496613	Grille, Air (Freezer)	15	M0500703	Seal
2	A3189392	Gasket, Foam	10	W10363507	Shroud, Evaporator Fan	16	B8381501	Gasket, Drain
3	W11228040	Assembly, LED Light Module	11	12986101	Blade, Fan	17	W10405166	Cover, Thermistor
4	W11408170	Cover, Evaporator (Freezer)	12	12951101	Grommet, Fan Motor	18	W10531268	Gasket, Dual Evaporator
5	12990511	Screw	13	W11402610	Motor, Evaporator (Includes Harness, Thermistor, and Defrost Thermostat)	19	W10280385	Thermistor
6	12956601	Clip, Fan Motor				20	W11514273	Fill Tube & Heater Assembly
7	W10847849	Switch, Light	14	W10503218	Assembly, Drain Funnel	21	8281136	Screw
8	12990504	Screw						

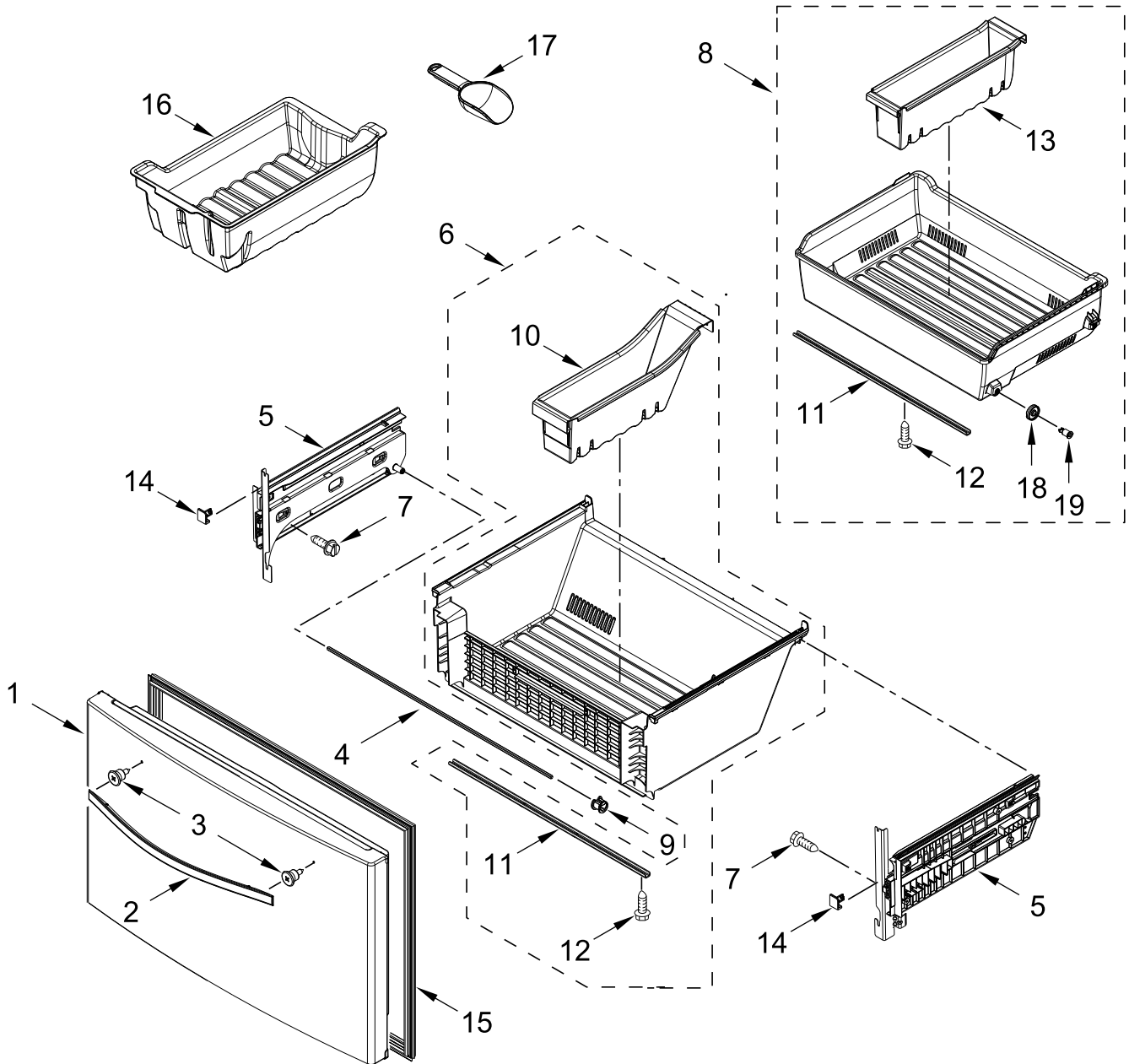
REFRIGERATOR DOOR PARTS



REFRIGERATOR DOOR PARTS

<u>Illus. No.</u>	<u>Part No.</u>	<u>Description</u>	<u>Illus. No.</u>	<u>Part No.</u>	<u>Description</u>	<u>Illus. No.</u>	<u>Part No.</u>	<u>Description</u>
1		Door, Refrigerator (Includes Gasket) Left Hand	6		Mullion, Door	17	W11315302	Clip, Tube
	W11405217	Stainless		W10698199	Grey	18	W11554030	Board and Cover Assembly, Emitter
2		Door, Refrigerator (Includes Gasket) Right Hand	7	12990204	Screw	19	W11554032	Board and Cover Assembly, Receiver
	W11377901	Stainless	8		Handle, Door	20	W10400825	Retainer, Ice Chute
3	W10238319	Screw	9	12990504	Screw	21	W10347087	Gasket, Ice Chute
4		Latch, Door	10		Bumper, Door	22	W10646855	Vent, Thermistor
	W10712952	Left Hand		W10407188	Grey	23		Gasket, Door
5		Latch, Door	11	W10884773	Badge		W10873938	Grey
	W10712953	Right Hand	12	W11328753	Screw	24	W10549592	Assembly, Ice Door
			13	W10728185	Trivet, 2 Liter			
			14	W10728194	Bin, Gallon			
			15	W10499015	Tube, Water			
			16	W10347085	Gasket, Ice Compartment Door			

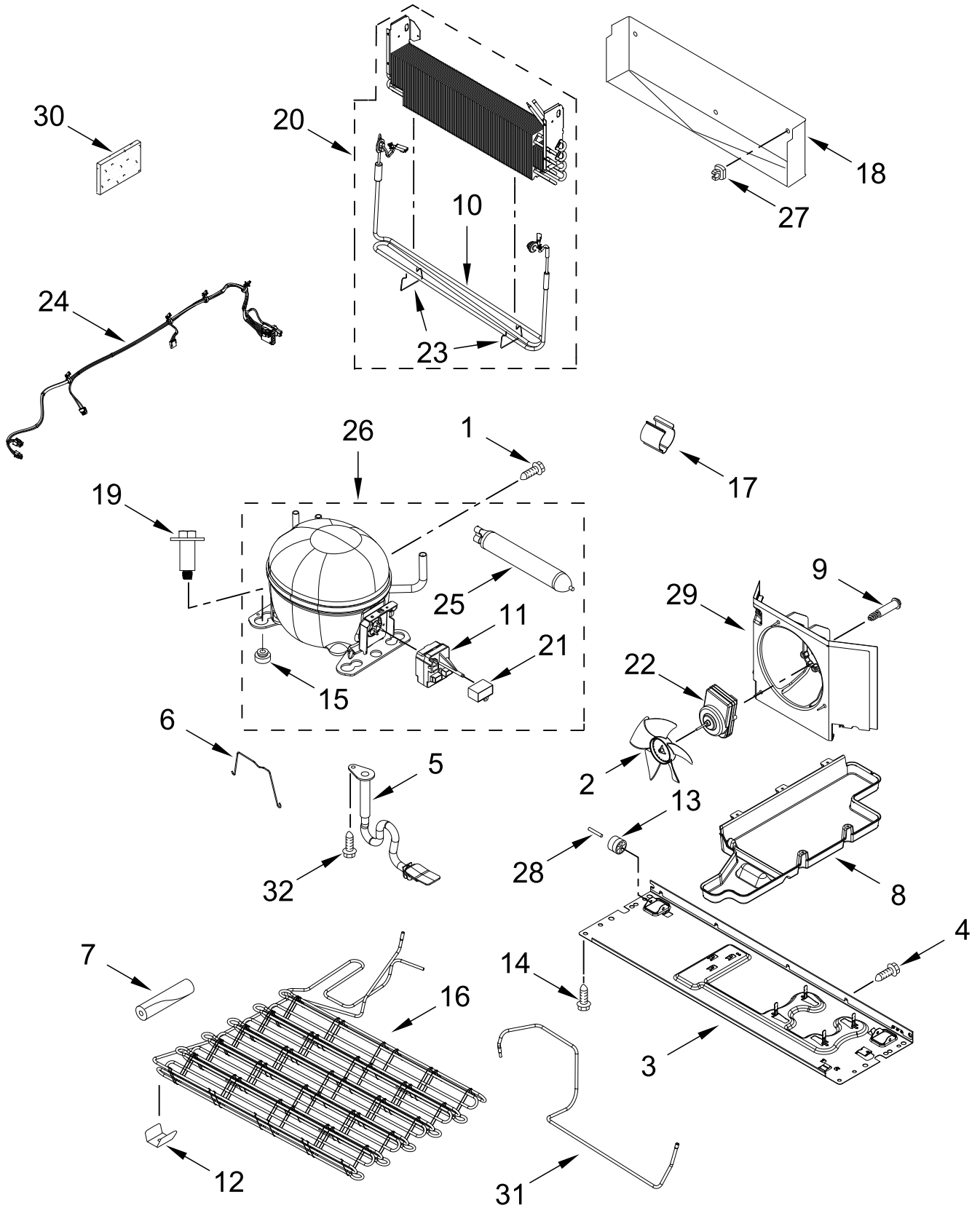
FREEZER DOOR PARTS



FREEZER DOOR PARTS

<u>Illus.</u> <u>No.</u>	<u>Part No.</u>	<u>Description</u>	<u>Illus.</u> <u>No.</u>	<u>Part No.</u>	<u>Description</u>	<u>Illus.</u> <u>No.</u>	<u>Part No.</u>	<u>Description</u>
1		Door, Freezer (Includes Gasket)	7	12990518	Screw	15		Gasket, Door
	W11377893	Stainless	8	W10724458	Bin, Upper		W10248749	Grey
2		Handle, Door	9	W10709748	Clip, Shaft	16	W10709259	Bin, Ice
	W11115761	Stainless	10	W10507444	Divider, Lower	17	W10182881	Scoop, Ice Pan
3	W11328753	Screw	11	W10469177	Support, Pan	18	W10248555	Roller, Pan
4	W10503522	Shaft	12	489443	Screw (Stainless)	19	W10643690	Axle, Roller
5		Assembly, Bracket	13	W10485654	Divider, Upper			
	W10795770	Left Hand	14		Stop, Pan			
	W10795768	Right Hand		W10485096	Left Hand			
6	W10594047	Assembly, Lower Pan		W10485089	Right Hand			

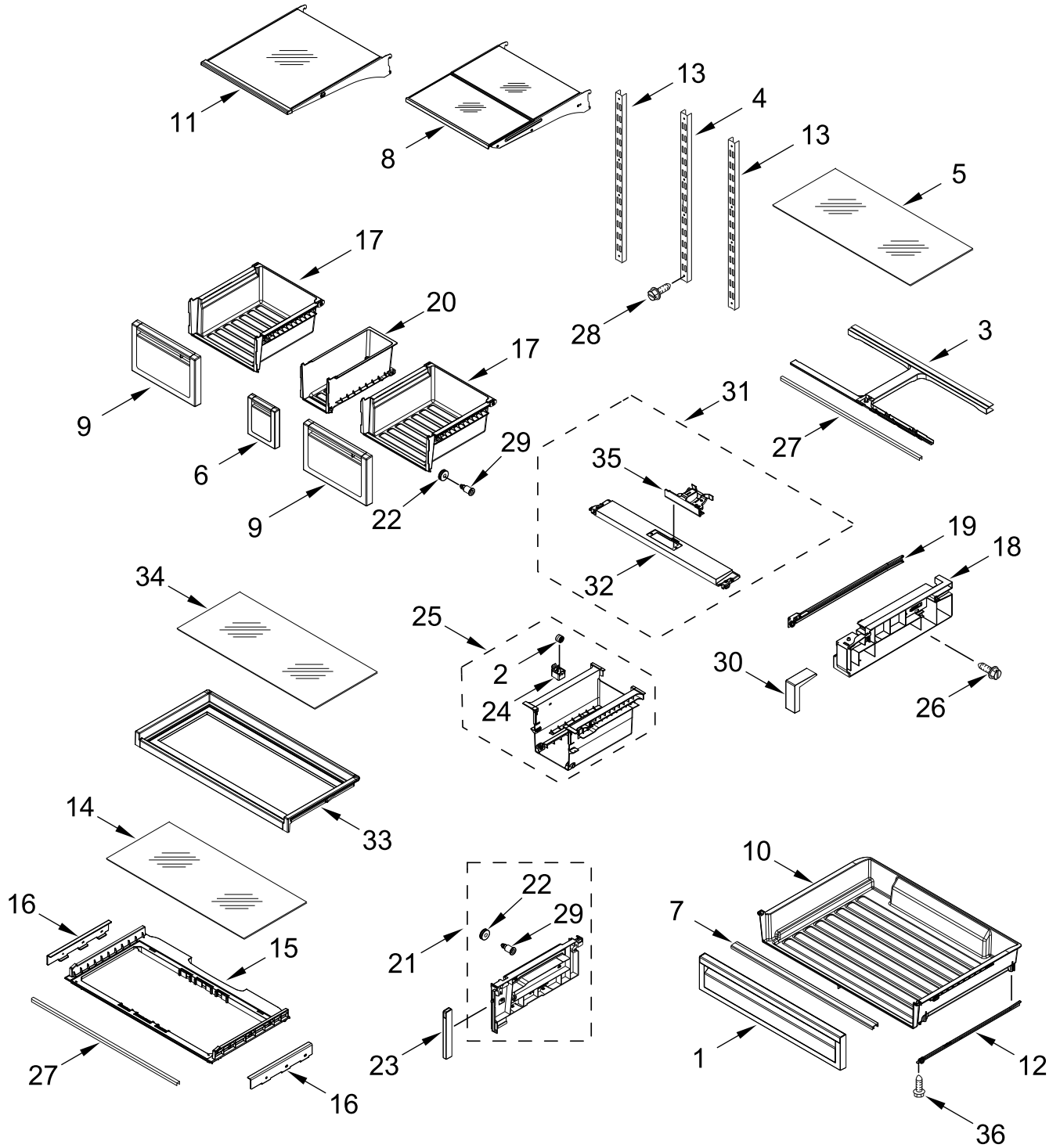
UNIT PARTS



UNIT PARTS

<u>Illus.</u> <u>No.</u>	<u>Part No.</u>	<u>Description</u>	<u>Illus.</u> <u>No.</u>	<u>Part No.</u>	<u>Description</u>	<u>Illus.</u> <u>No.</u>	<u>Part No.</u>	<u>Description</u>
1	W10141625	Screw	18	W11408656	Tray, Drip	26	W11682292	Compressor
2	2188935	Blade, Fan	19	W11417341	Screw			(Also Order the Following Lokring™ Parts)
3	W11411853	Baseplate, Compressor	20	W11394387	Assembly, Evaporator and Heater			
4	12990511	Screw			(Also Order the Following Lokring™ Parts)		W11504431	7/5 NR MS 00
5	W11497478	Extension, Drain						(Compressor to Condenser)
6	W10174384	Strap, Bale		W11506620	8 NK AL 00		W11504415	8.5/8 NR MS 00
7	W10303521	Sleeve			(Suction Line to Evaporator)			(Suction Tube to Compressor)
8	W10660727	Tray, Evaporator		W11504450	4/1.8 NR MS 00		W11506621	6 NK MS 00
9	W10622701	Screw			(Capillary Tube to Evaporator)			(Charging Tube to Compressor)
10	W11553968	Heater, Defrost	21	W10350564	Capacitor		W11506635	Tube, Charging (1/4 in w/ Schrader Valve)
11	W10197428	Device, Combination Start (Start Relay and Overload)	22	W11505535	Motor, Condenser Fan	27	10623002	Clip, Evaporator
12	W10248621	Clip, Condenser	23	W11380964	Clip, Heater	28	12477202	Axle, Roller
13	12477102	Roller	24	W11306948	Harness, Unit (Includes Power Cord)	29	W10406719	Shroud
14	12992101	Screw	25	W10805035	Drier (Service Drier Without Dye)	30	2169104	Insulation, Sound Deadening
15	10835903	Grommet, Compressor			(Also Order the Following Lokring™ Parts)	31	W11323444	Tube, Suction
16	W11411956	Condenser		W11504445	5/4 NR MS 00	32	W10141518	Screw
		(Also Order the Following Lokring™ Parts)			(Heat Loop to Drier)			REFRIGERANT CHARGE
	W11504445	5/4 NR MS 00		W11504447	5/1.8 NR MS 00			56 grams (R600a)
		(Heat Loop to Condenser)			(Capillary Tube to Drier)			
	W11504431	7/5 NR MS 00						
		(Compressor to Condenser)						
17	W10281329	Clip, Drier						

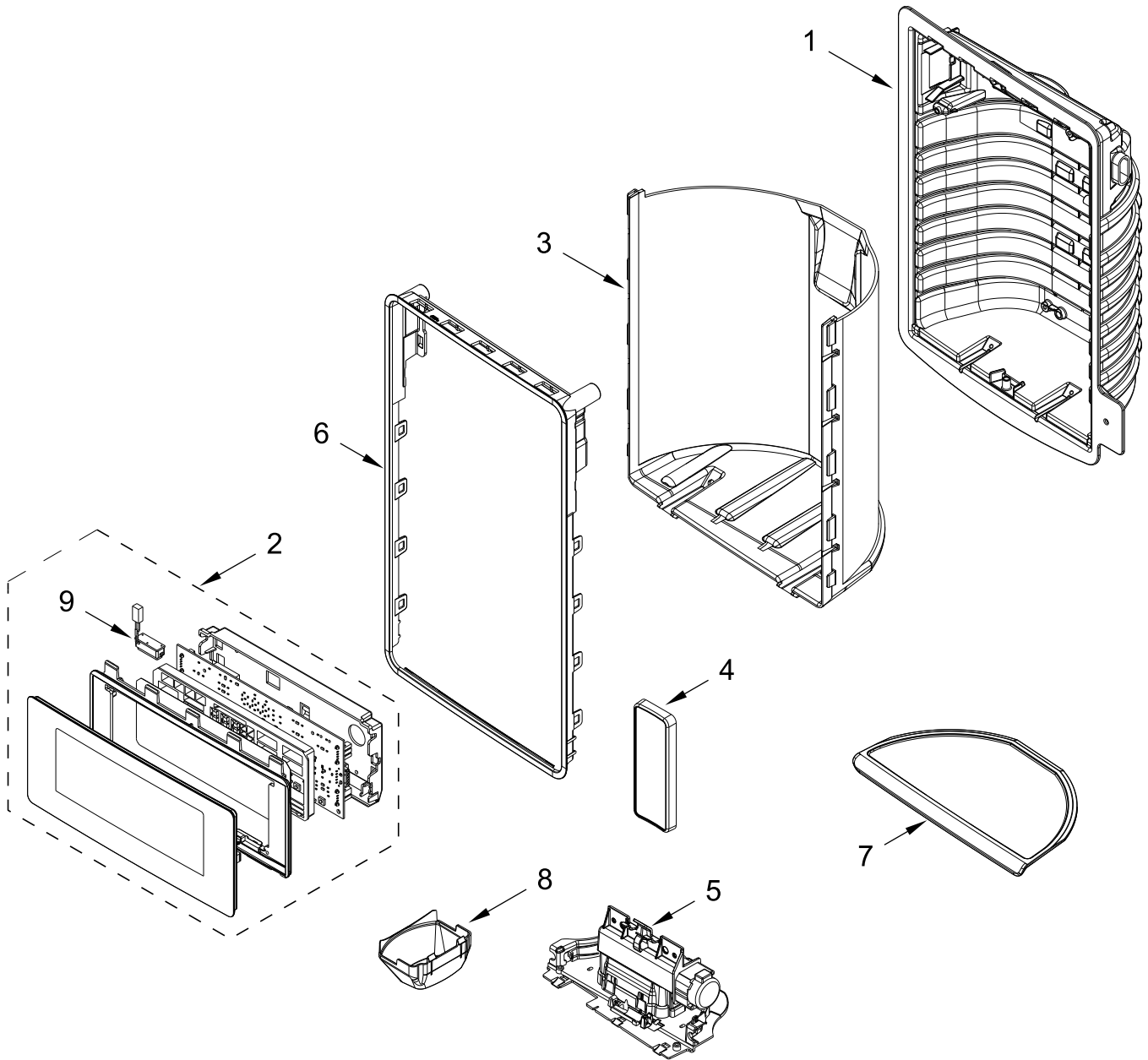
SHELF PARTS



SHELF PARTS

<u>Illus. No.</u>	<u>Part No.</u>	<u>Description</u>	<u>Illus. No.</u>	<u>Part No.</u>	<u>Description</u>	<u>Illus. No.</u>	<u>Part No.</u>	<u>Description</u>
1	W10510417	Front, Pantry	16		Rail, Side	26	W10185612	Screw
2	W10248789	Roller, Center		W11133647	Left Hand	27	W10236512	Support, Front
3	W11124673	Support, Pantry		W11133648	Right Hand	28	W10423560	Screw
4	W10248516	Ladder, Center	17	W10387757	Pan, Crisper	29	W10257246	Axle, Roller
5	W10893769	Glass, Pantry	18		Sideplate, Pantry	30	W10467416	Plate, Pantry Front
6	W10423520	Assembly, Crisper Front		W10498906	Left Hand	31	W10554293	Assembly, Pantry Front Cover
7	W10398002	Handle, Pantry		W11124810	Right Hand	32	W10554285	Cover, Pantry Top
8	W10709175	Assembly, Tuck Shelf	19		Slide, Pantry	33	W11409105	Assembly, Platter Shelf
9	W10688114	Assembly, Crisper Front		W10508327	Left Hand	34	W11133665	Glass, Platter
10	W10498901	Pan, Pantry		W10508326	Right Hand	35	W10512596	Knob, Pantry Temperature Control
11	W10709163	Assembly, Shelf	20	W10387778	Pan, Crisper	36	8281136	Screw
12		Runner, Roller	21		Sideplate, Crisper			
	W10508330	Left Hand		W11315531	Left Hand			
	W10508328	Right Hand	22	W10248544	Roller, Guide			
13	W10372170	Ladder, Side	23	W10467415	Plate, Crisper Front			
14	W10893768	Glass, Crisper	24	W10530314	Housing, Roller			
15	W11133636	Cover, Crisper	25	W10662015	Assembly, Center Crisper Support			

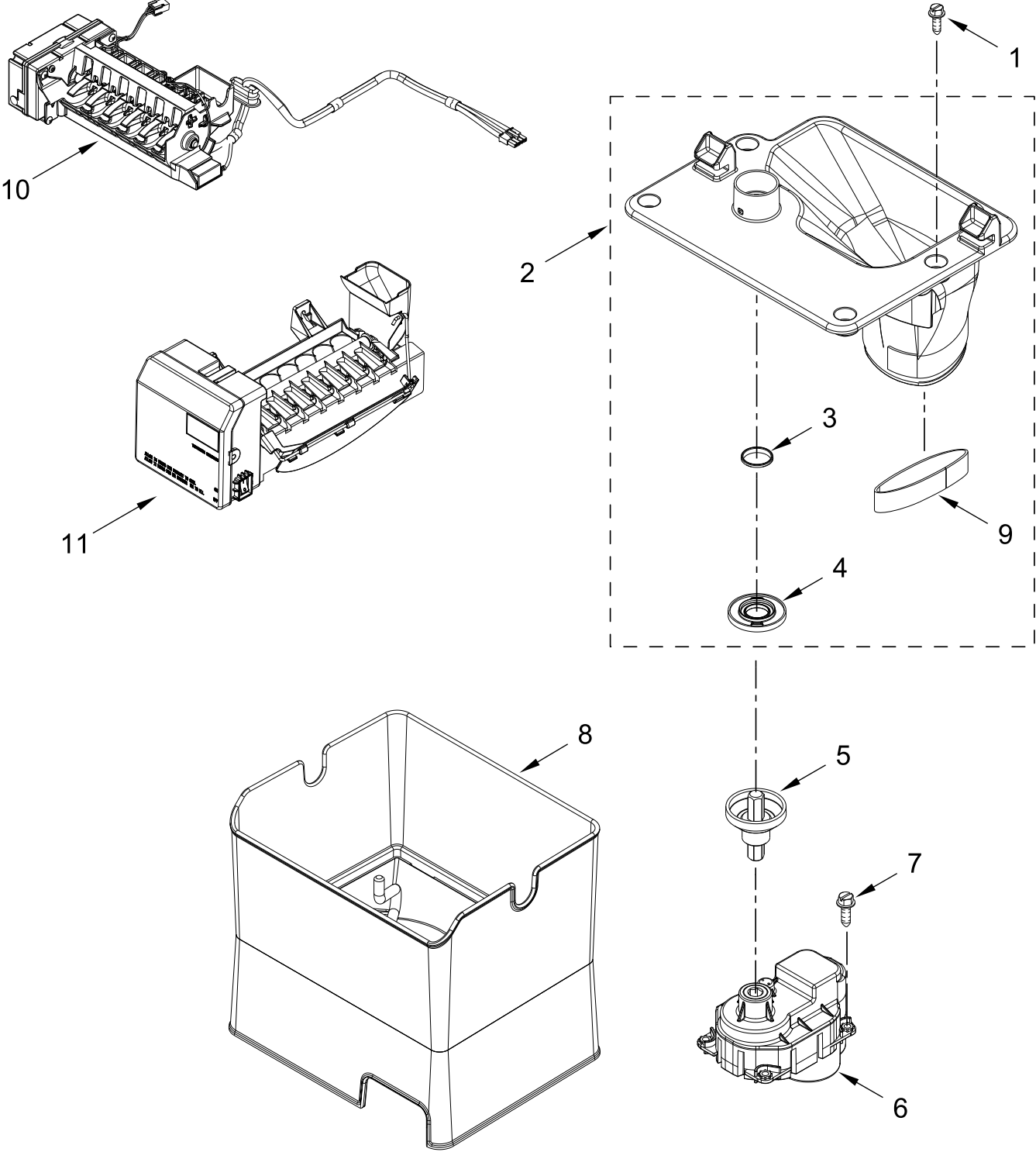
DISPENSER FRONT PARTS



DISPENSER FRONT PARTS

<u>Illus.</u> <u>No.</u>	<u>Part No.</u>	<u>Description</u>	<u>Illus.</u> <u>No.</u>	<u>Part No.</u>	<u>Description</u>	<u>Illus.</u> <u>No.</u>	<u>Part No.</u>	<u>Description</u>
1		Housing, Dispenser (Not Serviced)	4		Assembly, Pad	8	W10435760	Guide, Ice
				W10473007	Grey	9	W10470750	Assembly, LED
2		Assembly, User Interface (Includes Light Feature)	5	W10577864	Assembly, Seperator			
			6		Ring, Trim			
	W11724454	Black		W10402180	Chrome			
3		Wall, Dispenser False	7		Tray, Drip			
	W10819058	Grey		W10819059	Grey			

ICEMAKER AND ICE CONTAINER PARTS



ICEMAKER AND ICE CONTAINER PARTS

<u>Illus. No.</u>	<u>Part No.</u>	<u>Description</u>
1	W10272364	Screw
2	W10347051	Plate, Ice Chute
3	2198628	Seal
4	W10347120	Clip, Retainer
5	W11363576	Shaft, Motor

<u>Illus. No.</u>	<u>Part No.</u>	<u>Description</u>
6	W11185741	Motor, Dispenser
7	8281163	Screw (Stainless)
8	W10347093	Assembly, Ice Container
9	W10291905	Gasket

<u>Illus. No.</u>	<u>Part No.</u>	<u>Description</u>
10	W11554919	Assembly, Icemaker (Refrigerator)
11	W11546258	Assembly, Complete Icemaker (Freezer)

OPTIONAL PARTS

<u>Illus.</u> <u>No.</u>	<u>Part No.</u>	<u>Description</u>
		TOUCH-UP PAINT
W10134625		Apollo Grey
		MISCELLANEOUS
212643		Sealer, Gum (4 Feet)
876370		Insulation (2 Pieces, 3" x 24" x 48")
876305		Insulation Kit (14 Pieces, 3" x 24" x 48")
978941		Insulation, Fiberglass (63 1/2" x 35 1/2" x 2 5/8")
505587		Sealer, Mastic (1 Qt)
503695		Cork, Sealer
542638		Grease, Silicone (1/2 Oz.)
833938		Kit, Terminal Connector
8003RP		Kit, Water Inlet